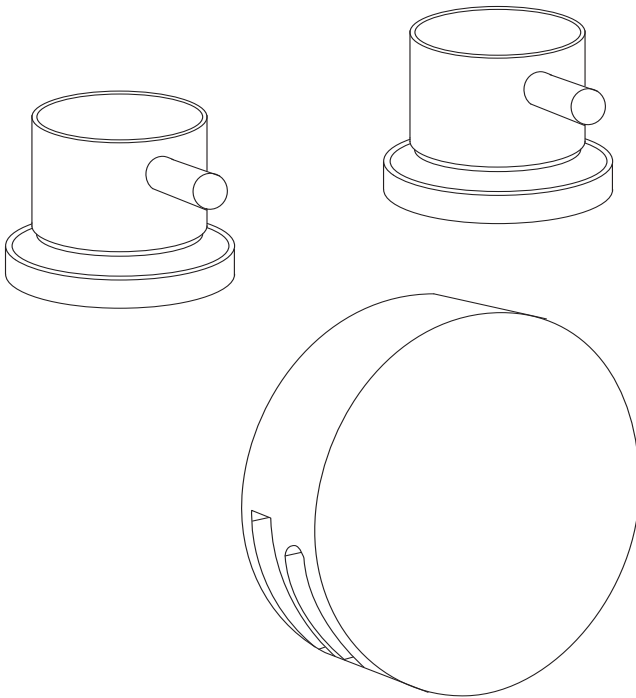


Side Valves and Overflow Filler



Fitting Instructions

Please follow them carefully and
leave this manual with end user

Installation Guide

Before installation, please read this guide carefully.

1. We recommend that this product is installed by a qualified accredited tradesperson, Victorian Plumbing Ltd. accept no liability for products incorrectly installed, or where the correct testing procedures have not been adhered to, thus resulting in the escape of water and consequential damage.
2. Ensure the incoming mains water supply is switched off prior to commencing the installation.
3. Observe all local plumbing and building codes & regulations.
4. Carefully inspect the product for damage. If any damage is found, immediately contact our Customer Relations Team.

Operation notice:

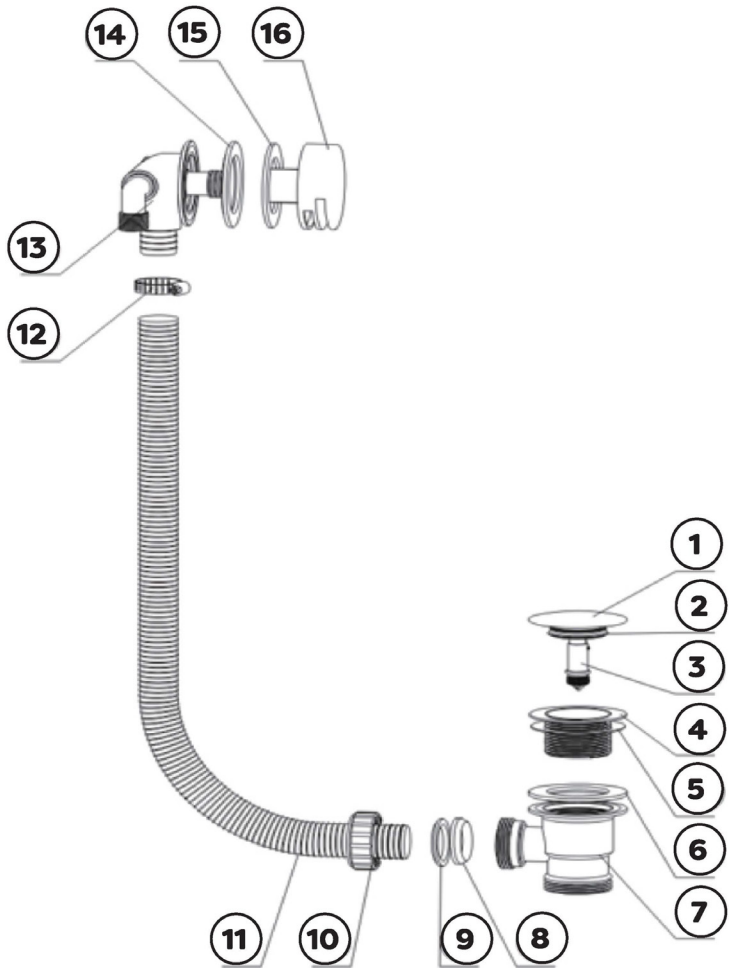
1. The product is used between water pressure 0.5 to 4 bar, water temperature 0-90c.
2. The waste and the tap is suitable for being installed in the bathtub which thickness is 5~15 mm.
3. Read all the instructions completely before proceeding.

Aftercare:

When installing or using tools, extra care must be taken to avoid damaging the finish or fitting. To maintain the appearance, please ensure it is cleaned regularly using a clean soft damp cloth only. Abrasive cleaners or detergents must not be used as they may cause surface deterioration.

Waste Installation:

1. Remove waste cover - this includes cover **(1)**, seal washer **(2)**, click click mechanism **(3)**.
2. Unscrew the waste flange **(4)** and place silicone washer **(5)** over the hole on the bottom of the bath. Place waste flange **(4)** through the silicone washer **(5)** and the bath hole. Put rubber washer **(6)** over the bottom the of the waste flange **(4)** and screw on the waste body **(7)**.
3. Unscrew the overflow cover **(16)**, foam washer **(15)** and rubber washer **(14)** from the overflow elbow **(13)**.
4. Place the rubber washer **(14)** and the overflow elbow on the back of the bath and line up with the overflow hole. From the front of the bath, re-attach the overflow cover **(16)**, foam washer **(15)**.
5. Connect the hose **(11)** to the overflow elbow **(13)** using the clamp **(12)**, do not over tighten.
6. Attach the hose **(11)** to the waste body **(7)** using the plastic nut.
7. Re-attach the waste cover **(1)**
8. Fill the bath with water and check all joints to ensure there are no leaks. This is the best done in stages starting with a small amount of water before fully filling the bath.



- | | |
|--------------------------|--------------------|
| 1. Cover | 9. Plastic Ring |
| 2. Seal Washer | 10. Plastic Screw |
| 3. Click Clack Mechanism | 11. PVC Hose |
| 4. Waste Flange | 12. Clamp |
| 5. Silicone Washer | 13. Overflow Elbow |
| 6. Rubber Washer | 14. Rubber Washer |
| 7. Waste Body | 15. Foam Washer |
| 8. Rubber Seal Washer | 16. Overflow Cover |

Tap & Overflow Installation:

1. Unscrew the handle pole, then use an Allen key to loosen the grub screw. Remove the handle, flange and rubber washer from the valve body.
2. Place the valve body through the underside of the bath tub hole. Connect the rubber washer and flange to the valve body.
3. Connect the handle to the valve stem (ensure the handle is in the correct direction and position). Secure the valve body and handle in place with the lock nut and locking screws.
4. Place the grub screw into the handle and tighten with an Allen key. Re-screw the handle pole to the handle.
5. Connect two valve bodies with the two G3/4" outlet elbows by two hoses, then connect the hot water inlet and cold water inlet pipe with the two valve bodies separately.
6. Check all joints & connections for leakage after installation.

