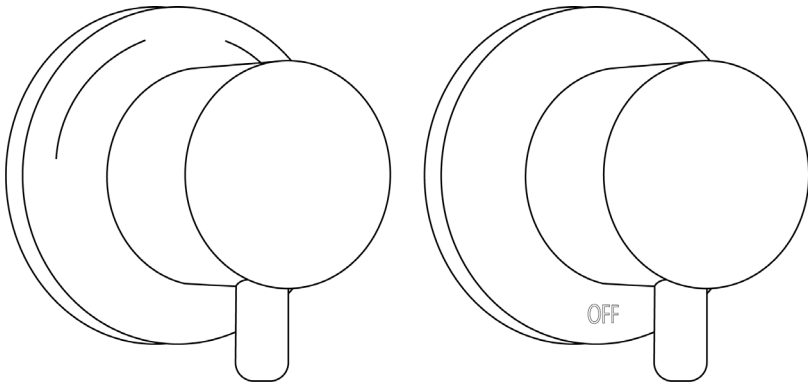


Gatsby Control Valve



Fitting Instructions

Please follow them carefully and
leave this manual with end user

Installation Guide

Before you begin:

1. **We recommend that this product is installed by a qualified tradesperson** and we accept no liability for products fitted incorrectly, and where the correct testing procedures have not been used, resulting in the escape of water.
2. Observe all local plumbing and building codes.
3. Unpack the product then read these instructions before proceeding. Inspect the product for damage. If any damage is found, contact our Customer Relations team.

Installation:

1. Determine the fixing position for the valve and make a recess in the wall to house the valve. The depth of the recess should be 80mm to 100mm below the finished wall surface to fit the cover plate correctly.
2. Insert the valve into the wall recess, then mark the fixing points with the mounting lugs that are cast on the valve body. Pull the valve out and drill suitable length holes at the marked positions. Use supplied plugs and screw to secure the valve.
3. Now that the show body is securely mounted to the wall (prior to installation and connecting) make sure that the pipes are thoroughly flushed to remove and debris etc. (failure to do this will impair the flow of the water).
4. The Plumbing connections should then be made to the hot and cold inlets which are clearly marked (**see Fig. 1**). The hot water inlet is to be connected with the hot supply on the left of the valve and the cold water inlet is to be connected to the cold supply on the right of the valve. Make sure that they are correctly connected, otherwise the thermostatic cartridge will lose it's function of controlling the temperature and may scald.
5. Make the plumbing connection to the water outlet. This will take the water to the chosen shower kit you have selected to run with this shower.
6. The plumbing connections on the inlets outlets are 1/2" BSP female thread. It is recommended to apply PTFE tape to all thread connections to ensure a water tight seal.
7. Turn on the water supply to ensure that there are no leakages.
8. Slide the plate into position over the lock sleeve and fit this up against the wall surface.
9. Fit the control handles making sure that the stop lug (of the bottom stop ring) is positioned at "12 O' clock" and that the markings of both stop rings (top & bottom) are in line. Remove any decorative caps then place the handle on the above stop ring, holding the handle firmly in position tighten using the screw and allen Key provided. Be careful not to turn the stop ring when tightening.

Fig. 1

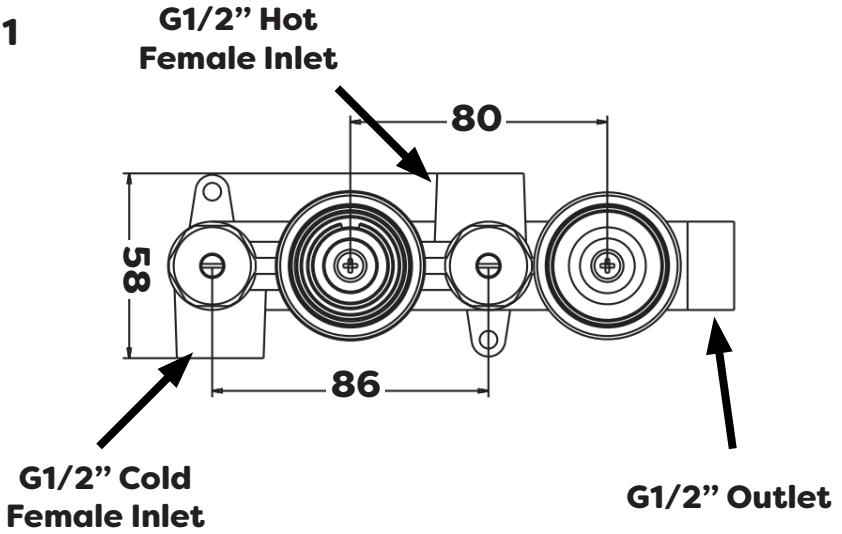


Fig. 2

