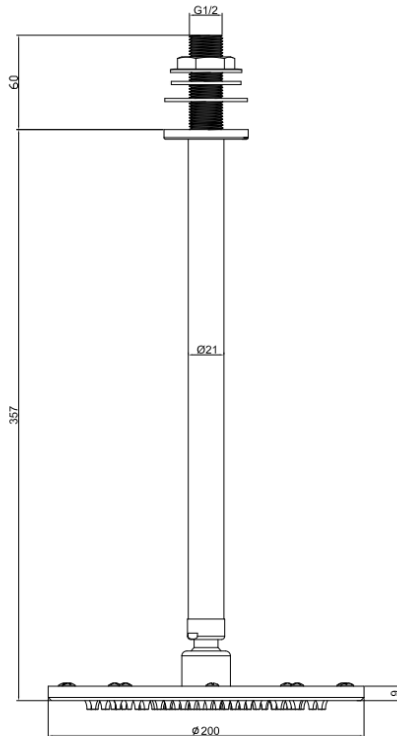




Gatsby Shower Head With Ceiling Mounted Arm



Fitting Instructions

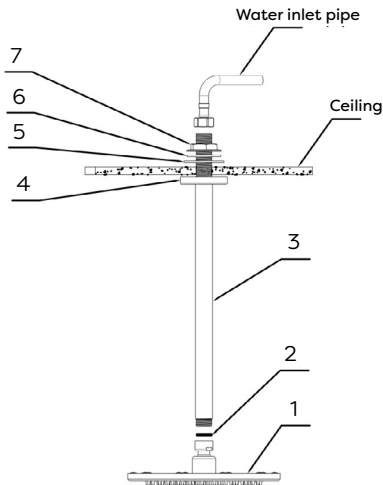
We recommend that this product is installed by a qualified tradesperson and we accept no liability for products fitted incorrectly, and where the correct testing procedures have not been used, resulting in the escape of water.

Installation Guide

Before you begin:

Unpack the product then read these instructions before proceeding. Inspect the product for damage. If any damage is found, contact our Customer Relations team.

Installation:



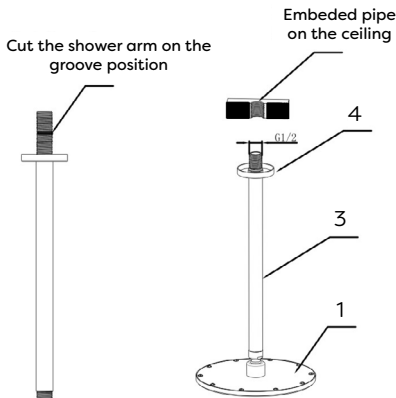
Installation Method 1:

Install the decoration cover (NO. 4) on the shower arm (NO. 3), then pass the shower arm through the ceiling, use iron washer (NO. 5), rubber washer (NO. 6) and lock nut (NO. 7) to fix the shower arm (NO. 3) on the ceiling. Connect the end thread of the shower arm with the water inlet pipe. Then connect the shower head (No. 3) with the shower arm (NO. 3).

Check for leakage after installation.

Items included :

| | |
|---------------------|----|
| 1. Shower head | X1 |
| 2. Washer | X1 |
| 3. Shower Arm | X1 |
| 4. Decoration Cover | X1 |
| 5. Iron Washer | X1 |
| 6. Rubber Washer | X1 |
| 7. Lock Nut | X1 |



Installation Method 2:

Cut the shower arm (NO. 3) on the groove position. Install the decoration cover (NO. 4) on the shower arm (NO. 3), then wrap the PTFE sealing tape on the thread of the shower arm. Connect the shower arm (NO. 3) with the embedded pipe on the ceiling.

Check for leakage after installation.

Ensure that the shower head and arm is securely fixed before use.