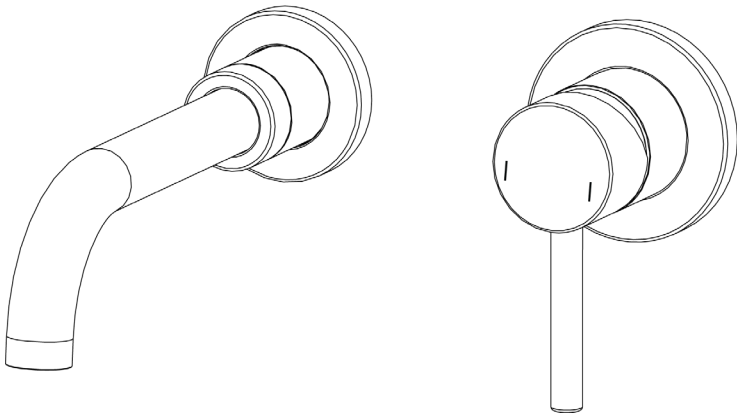




## **Gatsby Matt 2 Hole Basin Mixer Tap**



### **Fitting Instructions**

Please follow them carefully and  
leave this manual with end user

# Installation Guide

## Before you begin:

1. We recommend that this product is installed by a qualified tradesperson and we accept no liability for products fitted incorrectly, and where the correct testing procedures have not been used, resulting in the escape of water.
2. Unpack the product then read these instructions before proceeding. Inspect the product for damage. If any damage is found, contact our Customer Relations team.
3. Flush pipes to get rid of any debris blocked in pipes before installation.

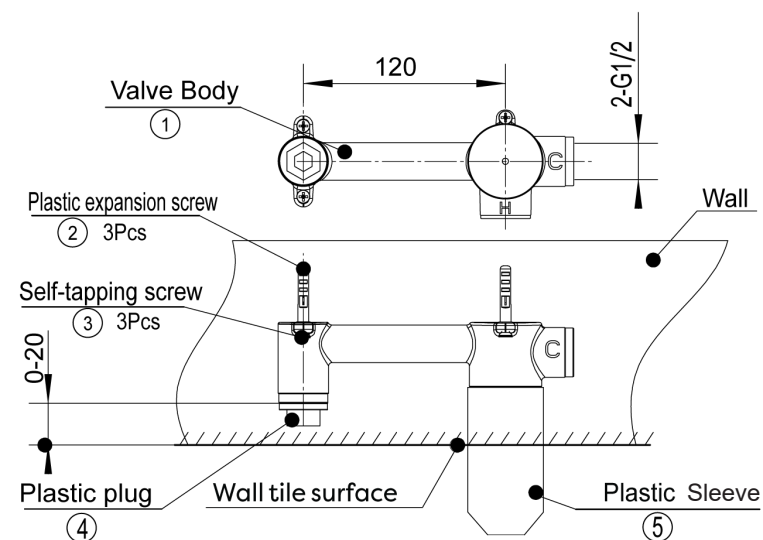
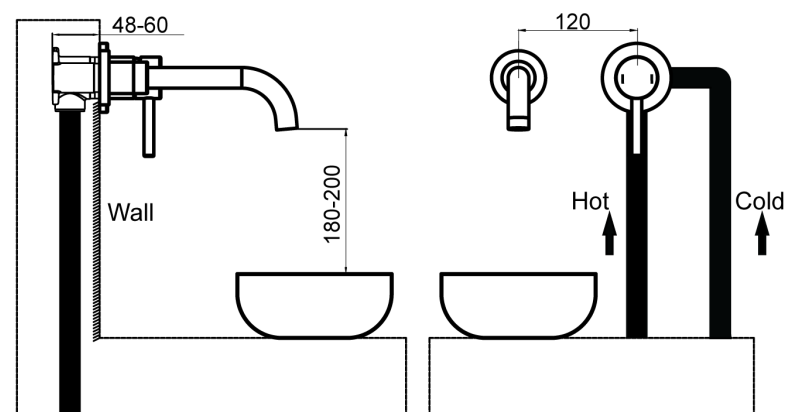
## Guarantee & Aftercare:

When installing or using tools, extra care must be taken to avoid damaging the finish or fitting. To maintain the appearance, please ensure it is cleaned regularly using a clean soft damp cloth only. Abrasive cleaners or detergents must not be used as they may cause surface deterioration. The company provides a guarantee against faulty material or manufacture excluding serviceable parts, providing they have been installed, cared for and used in accordance with our instructions.

## Installation:

1. As shown in **Fig.1**, connect the cold and hot inlet water pipe with the two G1/2" female threads of the valve body (**NO. 1**). Wrap PTFE tape on the threads or use glue seal.
2. Use three plastic expansion screws (**NO. 2**) and self tapping screws (**NO. 3**) to fix the Valve body (**NO. 1**) to a suitable position on the wall.  
  
Remove the plastic sleeve (**NO. 5**), screw the plastic plug (**NO. 4**) onto the valve tap body (**NO. 1**) tightly.
3. Open the hot and cold water supply, check all the joints and connections of the valve body for any leakage. Then put the plastic sleeve (**NO. 5**) back on after confirming that there is no leakage.
4. Decorate the wall (pay attention to the size of the hole).

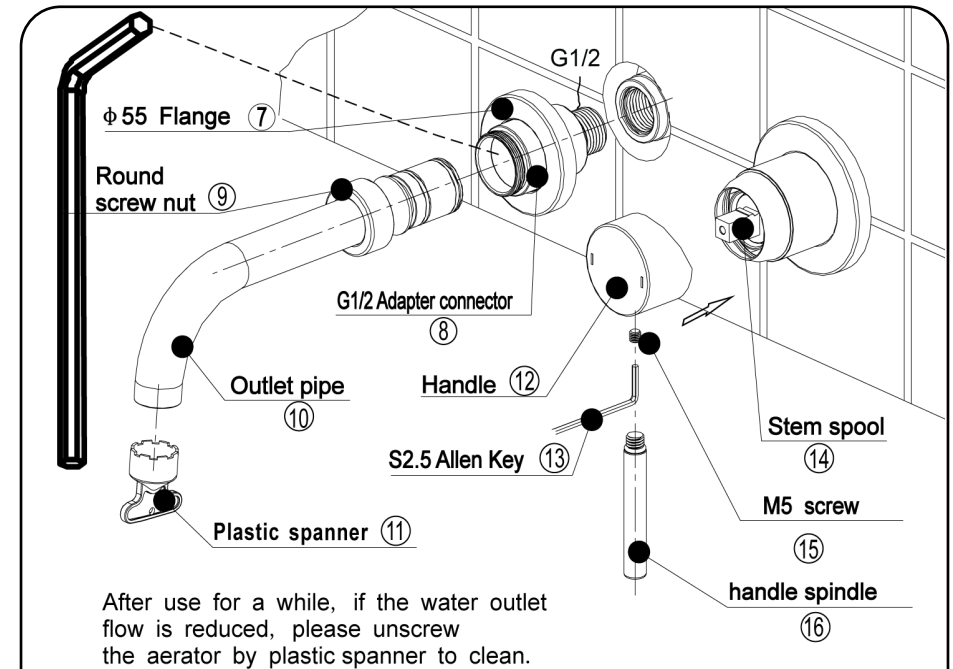
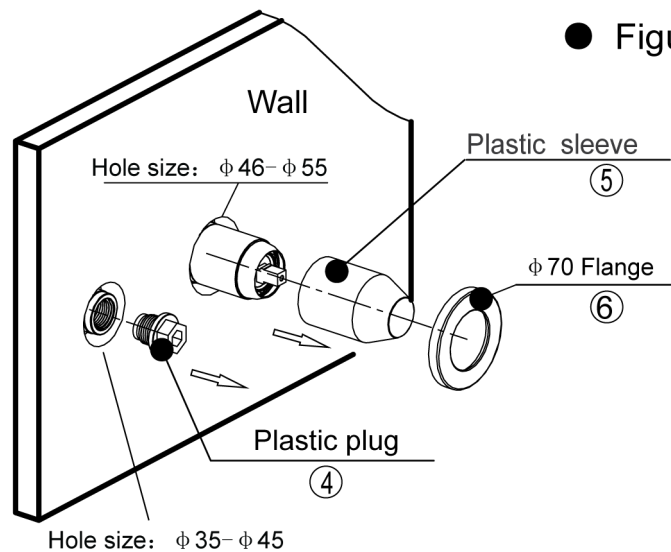
● Figure 1 Installation diagram



## Installation:

5. As shown in **Fig. 2**. Unscrew the plastic plug (**NO. 4**), then remove the plastic sleeve (**NO. 5**), then install the flange (**NO. 6**).
6. As shown in **Fig.3**, unscrew the round screw nut (**NO. 9**), then pull out the water outlet pipe (**NO. 10**).
7. Wrap PTFE or use glue seal to the G1/2" thread of the adapter connector (**NO.8**), then screw the adaptor connector (**NO. 9**) to the G1/2" female thread of valve body.
8. Install the flange (**NO. 7**).
9. Insert the outlet pipe (**NO. 10**) to the inner hole of connector (**NO. 8**), then use round screw nut (**NO. 9**) to fix the outlet pipe (**NO. 10**). (Pay attention that the outlet pipe (**NO. 10**) must be inserted in place.)
10. Unscrew the handle spindle (**NO. 16**), loose the M5 screw (**NO. 15**) with S2.5 Allen key (**NO. 13**), then place the handle (**NO. 12**) on the stem pool (**NO. 14**). Tighten the M5 Screw (**NO. 15**) with S2.5 Allen Key to fix the handle (**NO. 12**). (Pay attention to the direction of the handle.)
11. Screw the handle spindle (**NO. 16**) on the handle (**NO. 12**).
12. Open the hot and cold water supply, check all the joints and connections for any leakage.

● Figure II



● Figure III