

# FRANKE

## Eco Airblast Midi Plus Installation Sheet

The Eco Airblast Midi Plus has 3 functions:

Hand dryer (warm or ambient air) to dry your hands, ioniser to clear the air and a freshener to add a fragrance into the air. So when you buy the Eco Airblast Midi Plus dryer you actually you get three products: hand dryer, ioniser, and air freshener (optional extra).

### Features:

The Hand Dryer is manufactured out of vandal-resistant aluminium with a sleek design to complement any environment.

- **Safety:** The hand dryer will automatically switch off after 50 seconds of continuous use.
- **Quick drying:** The hand dryer has a dry time of between 10 – 12 seconds
- **Heat Switch:** Choose between hot and ambient air at the flick of a switch
- **Ion generator:** The built-in ioniser provides fresh and clean air when used.
- **Fragrance holder:** (When included) Putting a fragrance ring in the holder inside the dryer will create a nice-smelling washroom every time the dryer is used. Fragrance rings last 30 days and are available from your local distributor

### Specification:

- Power Supply: 220V~ 50Hz
- Sensor Distance: 12±3cm
- Warm air temp: 30°C-50°C(at normal temp 20°C)
- Air speed: 80m/s
- Motor speed: 25000 r.p.m
- Motor power: 550W
- Heating power: 810W
- Overall unit power: 1360W
- Overall dimensions: 210mm x 182mm x 270mm (L x W x H)
- Noise: 75 dB
- Waterproof level: IPX1
- Finish: Polished chrome or white steel

### Usage instruction:

Place hands under dryer. The unit will start automatically and shut off after 50 seconds of continuous use. This can be re-activated immediately if required.

Adjustment of sensor distance:

Remove the cover and adjust the small dial on the sensor board to provide you with the desired sensor length. Turn clockwise to increase the distance and counter clockwise to reduce the distance.

Temperature control:

The heat switch is located underneath the unit. Turn on for heated air and off for ambient air.

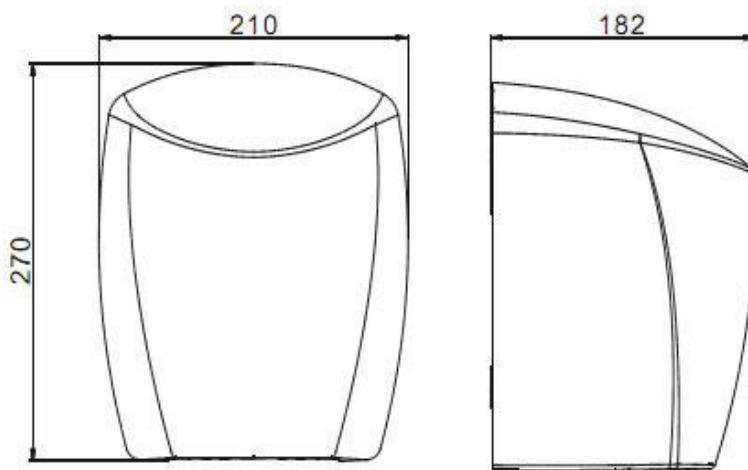
### Packing:

Carton size: 340 x 240 x 240 mm Weight: 4.25 kg per dryer

### Installation instructions:

Please note: There must be a minimum of 1.1 meters from the floor to the base of the hand dryer.

1. Use template to mark the required position on the wall. Do not mount the unit over a shiny surface as it will activate the sensor.
2. Do not place anything in the area where the sensor is located.
3. Drill 4 holes as per the template. Place the raw plugs in the holes.
4. Loosen the screws from the unit and remove the cover
5. Position the unit upon the template and secure with the 4 screws
6. Replace the cover and secure



Distributed by:  
Franke Sissons Ltd  
Carrwood Road  
Chesterfield  
S41 9QB  
Tel: 01246 450255  
Fax: 01246 451276  
Email: ws-info.uk@franke.com  
Web: www.franke-ws.co.uk