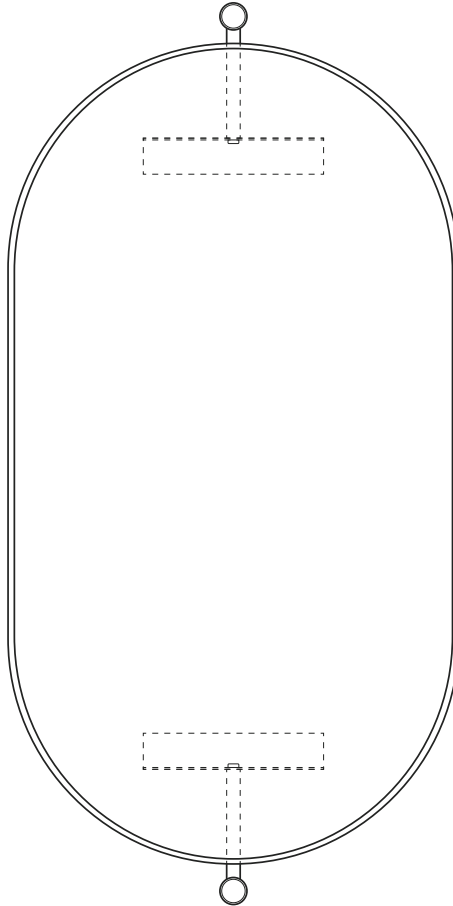


Swivel Frame Mirror



Fitting Instructions

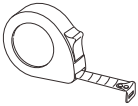
Please follow them carefully and
leave this manual with end user

Installation Guide

Before installation, please read this guide carefully.

1. **We recommend that this product is installed by a qualified tradesperson.** Victorian Plumbing Ltd. accept no liability for products incorrectly installed or any damage to the floor, walls, plumbing, vanity cabinet, sink, counter top, or personal injury during installation.
2. **Check the chosen wall space for any pipes/cables prior to drilling**
3. Observe all local plumbing and building codes & regulations.
4. Carefully inspect the product for damage. If any damage is found, immediately contact our Customer Relations Team.

Tools required for Installation:



Tape Measure



Spirit Level



Drill



Allen Key



Pencil



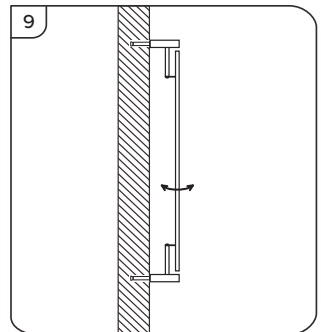
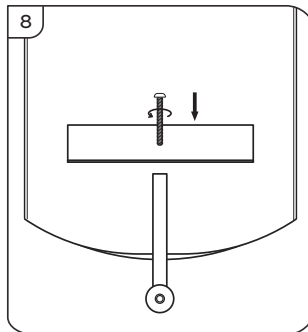
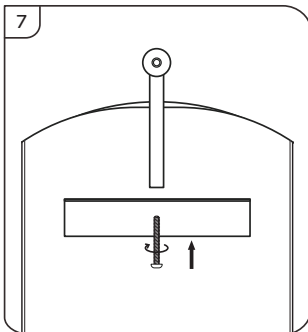
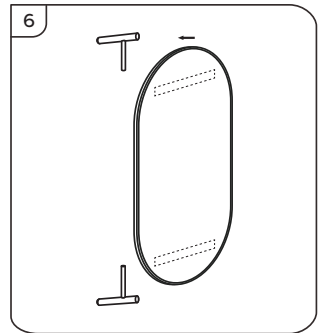
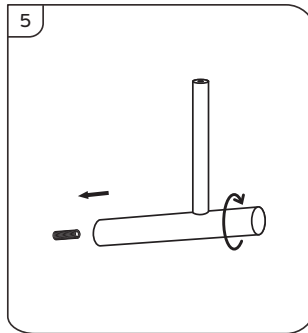
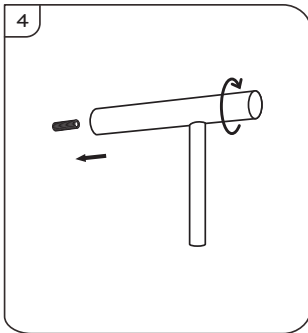
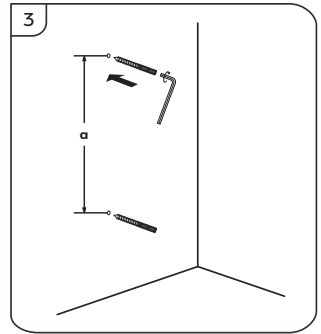
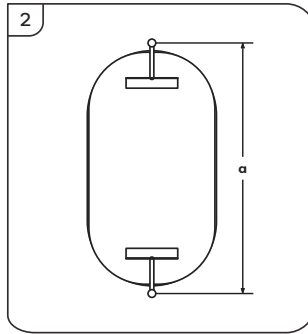
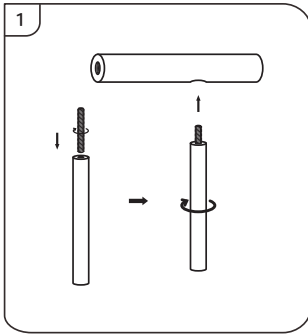
Screw Driver

Installation Steps:

1. Screw M6 screw rod to two aluminum tubes respectively, and then use the screw rod to fix the knurled rod and aluminum tube together.
2. Place the assembly with the mirror to measure the distance between the screw holes of the upper and lower knurled rod (**a**).
3. Use a pencil to mark the appropriate places on the wall where you want to punch holes, select a suitable drill bit to drill in the marked location, or if the wall is made of tile, use a special ceramic drill bit. Use an 'Allen' key to screw the double-ended self-tapping screws into the wall.
4. Screw the two sets of components onto the wall double-ended self-tapping screws.
5. Screw through the corner aluminum on the back of the mirror to attach to the wall assembly.
6. Turn the mirror to check whether it is firmly installed.

Never modify the construction or add any parts which are not offered as spare parts or accessories by the manufacturer of the Luminaire. Any unauthorized modification might result in weak mounting and risk that the Luminaire parts could fall down from the wall.

Note: Install the mirror at least 15cm away from the basin.



Diagrams are for illustration purposes only. Your swivel mirror valve may superficially differ from this drawing however the installation guide steps still apply.

Recycling and disposal:

Please recycle the packaging in accordance with your local government regulations on waste handling, and follow the same advice at the end of the products life.

www.victorianplumbing.co.uk