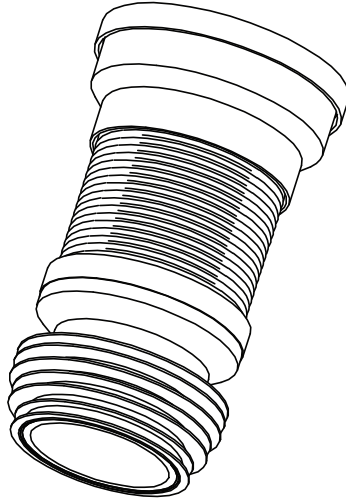




**victorian
plumbing.co.uk**

Flexible Pan Connector

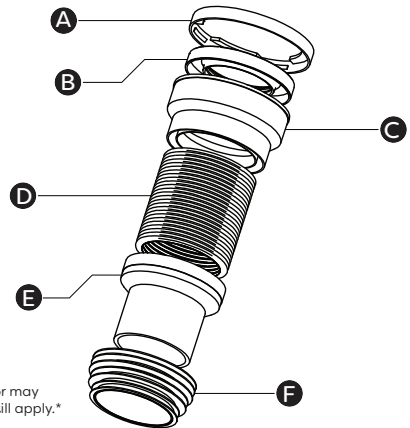


Fitting Instructions

Please follow them carefully and
leave this manual with end user

Items Included:

- A. Flange Cover
- B. Pan Seal
- C. Flange (Pan)
- D. Flexible Pipe
- E. Flange (Outlet)
- F. Waste Outlet Seal



Diagrams are for illustration purposes only. Your Flexible Pan Connector may superficially differ from this drawing however the installation guide steps still apply.

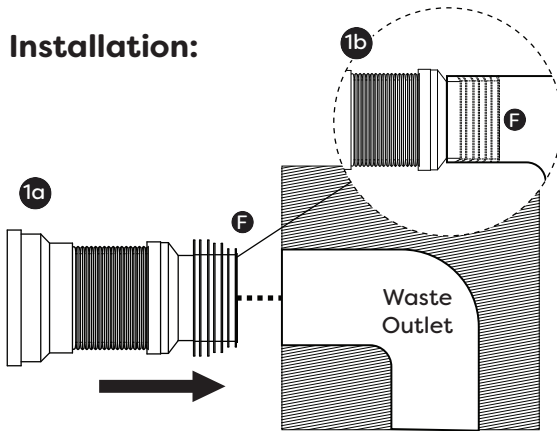
Recycling and Disposal:

Please recycle the packaging in accordance with your local government regulations on waste handling and follow the same advice at the end of the products life.

Before you begin:

1. **We recommend that this product is installed by a qualified tradesperson**, Victorian Plumbing Ltd. accept no liability for products incorrectly installed or any damage to the floor, walls, plumbing, toilet pan, pan connector or personal injury during installation.
2. Observe all local plumbing and building codes & regulations.
3. Ensure the incoming mains water supply is switched off prior to commencing the installation.
4. For the following instructions, it is assumed that the in-wall/floor plumbing has already been prepared.
5. Unpack the product then read these instructions before proceeding. Inspect the product for damage. If any damage is found, contact our Customer Relations team.

Installation:

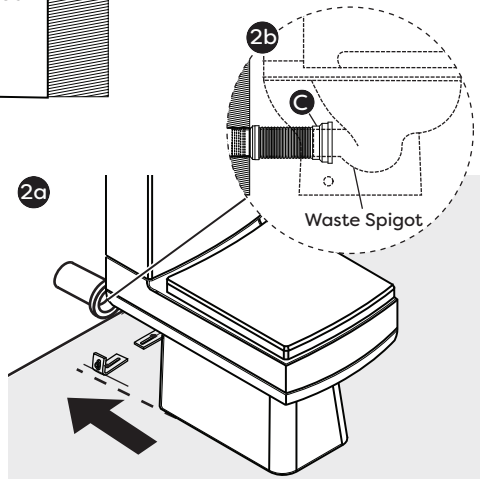


Step 1:

Add a small amount of lubricant to the 'Waste Outlet Seal' (F) then push the connector into your waste outlet pipe. Ensure the seal is fully inserted into the outlet to prevent a leakage.

Step 2:

Once the 'pan connector pipe' is fully inserted into the waste outlet, add a small amount of lubricant to the 'Pan Seal' (C), then push the toilet pan into the required position, with the 'pan connector' fully connected to the soil pipe (spigot).



Step 3:

Proceed to completing the installation of your chosen pan, refer to the instructions of the toilet pan for guidance if needed.



Diagrams are for illustration purposes only. Your Flexible Pan Connector may superficially differ from this drawing however the installation guide steps still apply.