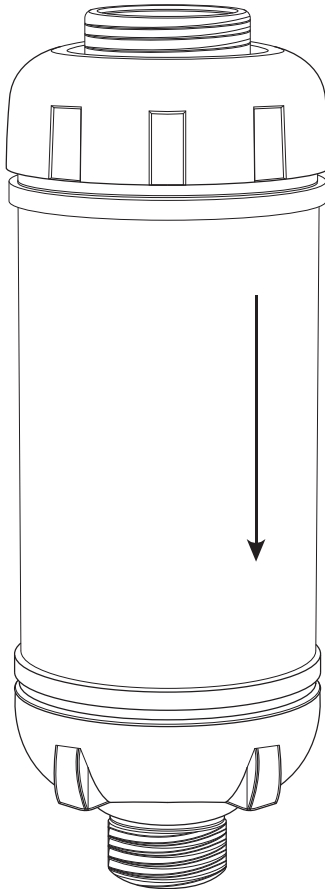




Spare Part Filter for D-Shaped Smart Bidet Toilet Seat



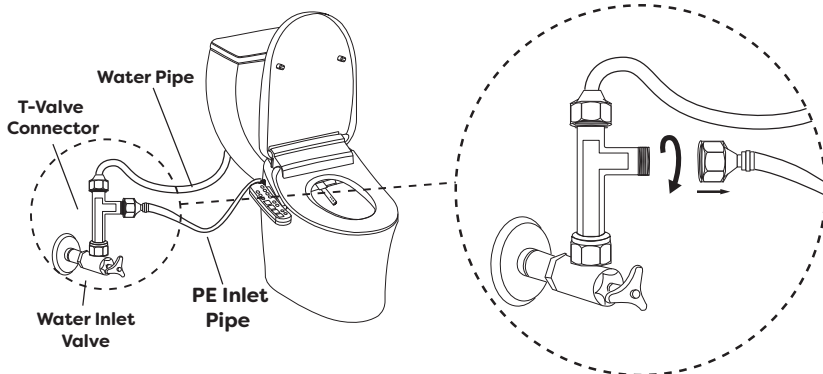
Fitting Instructions

Please follow them carefully and
leave this manual with end user

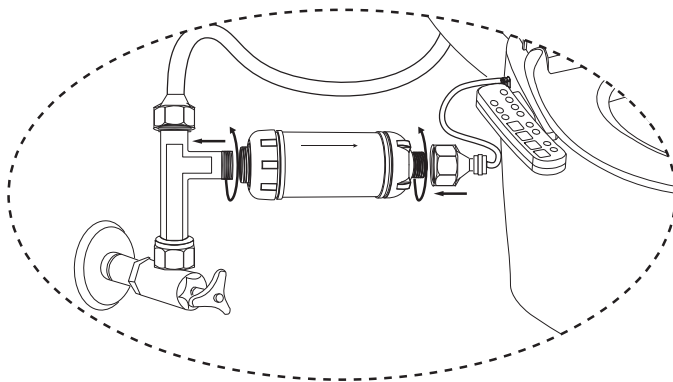
Before you begin:

- Unpack the product then read these instructions before proceeding. Inspect the product for damage. If any damage is found, contact our Customer Relations team.
- The Inlet and outlet connections for the Filter is G $\frac{1}{2}$. Ensure that your chosen Smart toilet seat and valve are the correct size for installation.
- Ensure the incoming mains water supply is switched off prior to commencing the installation.

Installation:



1. Unscrew the nut on the PE inlet pipe connecting to the T-Valve connector (as shown above). Make sure the water inlet valve is in the off position.



2. Screw the filter to the T-Valve connector (ensure that the arrow direction on the filter is pointing away from the T-Valve), then connect the PE inlet pipe to the other end of the filter. Turn on the water supply, check the connections for any leaks.

Recycling and Disposal:

Please recycle the packaging in accordance with your local government regulations on waste handling and follow the same advice at the end of the products life.

www.victorianplumbing.co.uk