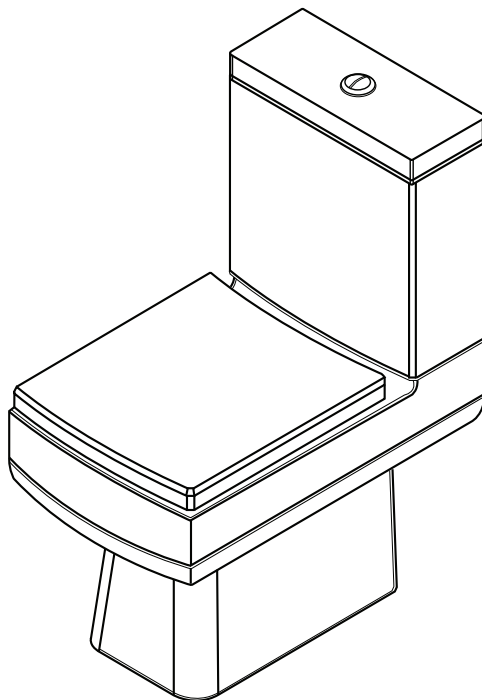


EcoDelux

Closed Coupled Toilet and Cistern



Fitting Instructions

Please follow them carefully and
leave this manual with end user

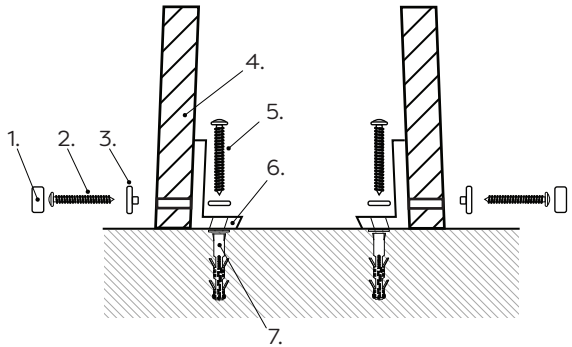
Before you begin:

1. **We recommend that this product is installed by a qualified tradesperson,** Victorian Plumbing Ltd. accept no liability for products incorrectly installed, or where the correct testing procedures have not been adhered to, thus resulting in the escape of water and consequential damage.
2. **Check the chosen floor space for any pipes/cables prior to drilling the floor.**
3. Ensure the incoming mains water supply is switched off prior to commencing the installation.
4. Observe all local plumbing and building codes & regulations.
5. Unpack the product then read these instructions before proceeding. Inspect the product for damage. If any damage is found, contact our Customer Relations team.

Parts:

Floor Fixing Kit (Not Included):

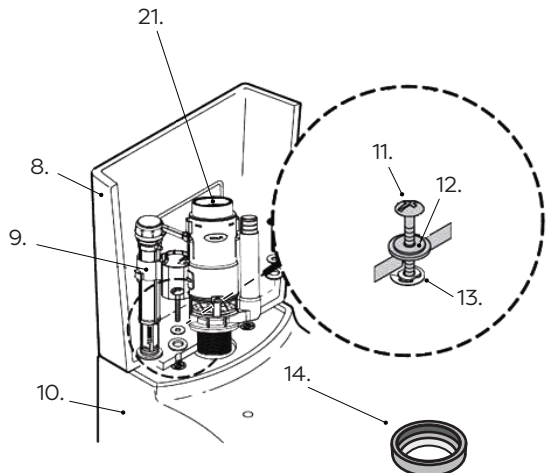
1. Screw Cover
2. Bracket to pan fixing screw
3. Screw cup
4. Floor 'L-shaped' fixing bracket
5. Floor screw
6. Screw washer
7. Rawl plug



Please note: For toilets which have a side fixing kit and secure directly to the floor, the 'L shaped' bracket is not used.

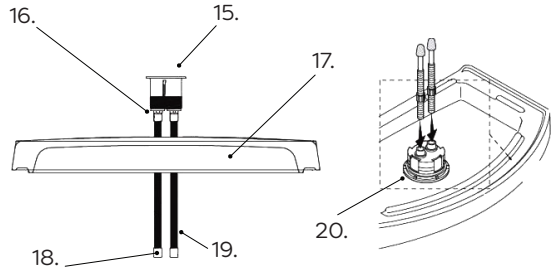
Cistern (Components below):

8. Cistern tank
9. Inlet valve including washer, seal and nut
10. Toilet pan
11. Securing bolt
12. Cistern bolt seal
13. Cistern bolt nut
14. Doughnut washer



Flushing button (Components below):

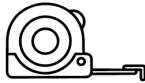
15. Push button
16. Flush rod nut
17. Cistern lid
18. Flush rods
19. Rod rubber sleeve (not included in all models)
20. Push button nut
21. Syphon including washer, seal and nut (inside cistern part)



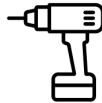
Tools required for installation (not supplied)



Pencil



Tape Measure



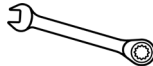
Power Drill



Spirit Level



Screwdriver



Spanner



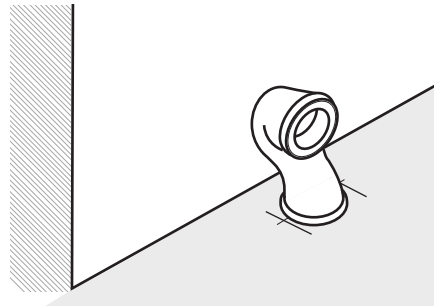
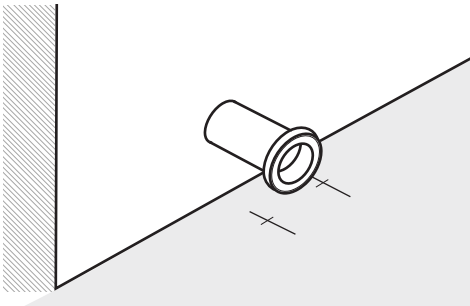
Silicone Sealant

Pan connector:

- The pan connector should be prepared for connection to the toilet being installed (Not Included).

Please note: Pan connector (waste pipe) may need to be purchased separately if a new installation

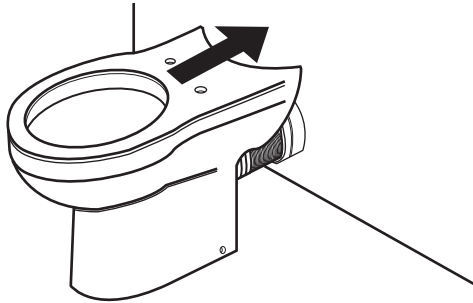
- Depending on your toilet, the pan connector could be installed through the wall or the floor.



Installation

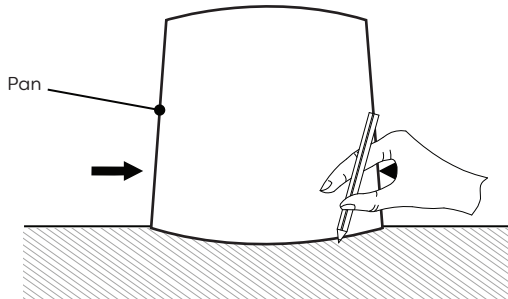
Step 1:

- Once the pan connector pipe is prepared, add a small amount of lubricant to the seal, then push the toilet into the required position, with the pan connector fully connected to the soil pipe (spigot).



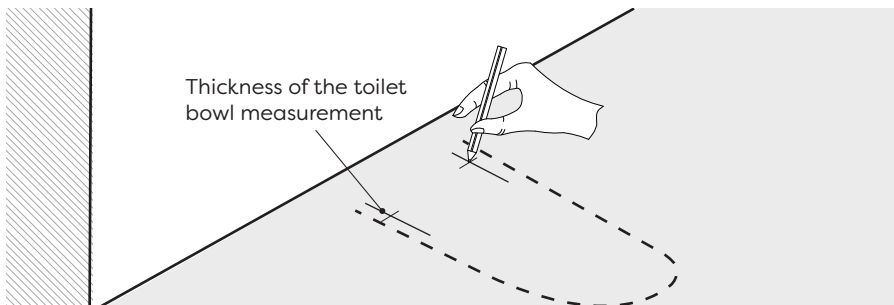
Step 2:

- Ensure that the toilet pan is level and fully backed against the wall. Mark on the outer edge of the pan (on both sides), a line with each fixing hole located in the side wall of the toilet pan.



Step 3:

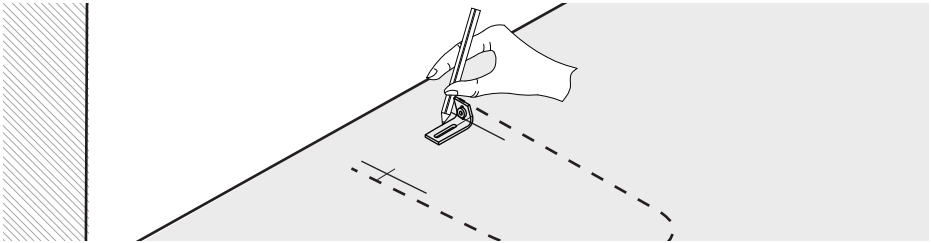
- Remove the pan from the location. Then measure the thickness of the toilet side wall and make another mark inwards from the original mark and in line with the fixing hole. Repeat on the other side.



Step 4:

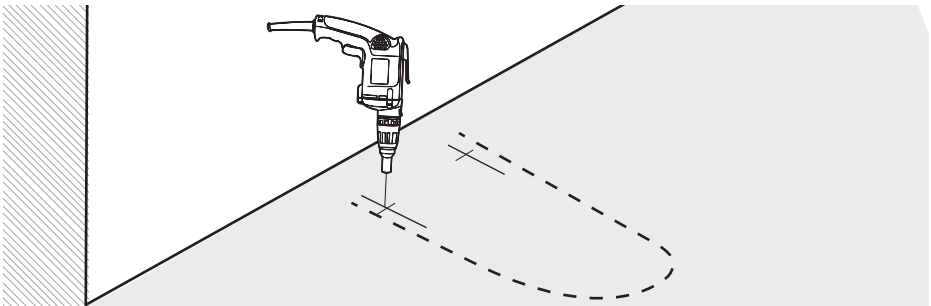
- If using the 'L' shaped bracket assembly, place the front edge of the bracket on the inside mark, then mark the screw hole position to secure the bracket to the floor. Repeat this on the other side.

Please note: For toilets which secure directly to the floor, the 'L' shaped bracket is not used



Step 5:

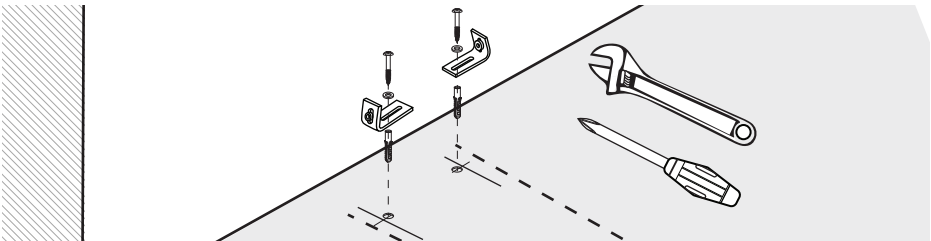
- Remove the brackets and carefully drill the holes, ensuring that no pipes or cables can be damaged.



Step 6:

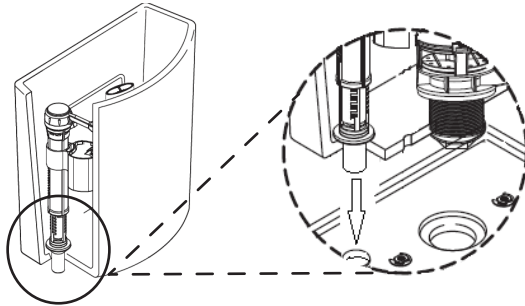
- Insert the rawl plugs into the pre drilled holes if you are fitting into a solid floor. Then place the brackets over the drilled holes/plugs and insert the washers and screws through the brackets and secure into position.

Please Note: this may be either a screwdriver slot or spanner fitting, depending on specification.



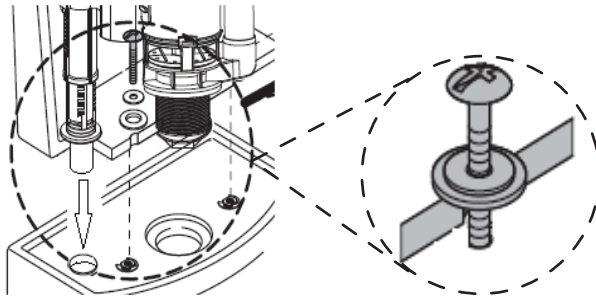
Step 7:

- From the inlet valve, remove the nut and washer (the rubber seal should remain fitted), then place the tail of the inlet valve through the hole in the cistern tank. From underneath the tank, re-fit the washer and nut. Do not tighten fully at this stage.



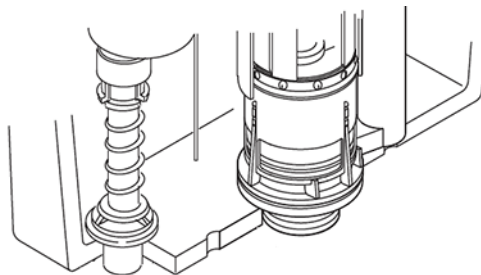
Step 8:

- Remove the nut from the cistern bolt. Place the bolt, washer and seal into the bottom of the cistern so that the bolt passes through the fixing hole, ensure that the seal sits against the inside face of the tank.



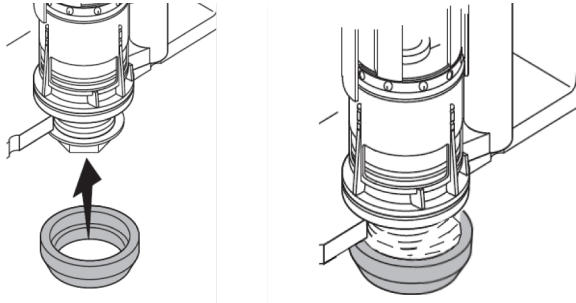
Step 9:

- Remove the nut and washer from the syphon, then place the threaded tail (syphon) through the hole in the bottom of the cistern (with the seal against the inside face of the tank). Fit the washer and nut to the syphon thread and tighten, do not use grips as this could deform the syphon.



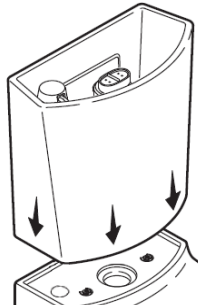
Step 10:

- Fit the thick doughnut washer to the tail of the syphon and ensure it is fully surrounding the nut.



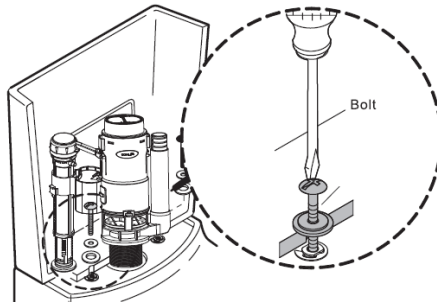
Step 11:

- Position the cistern tank onto the toilet, allowing the cistern bolts and inlet valve thread to pass through the holes in the toilet pan. Ensure that the doughnut washer sits inside the recess.



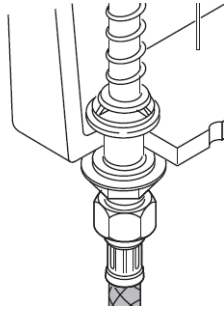
Step 12:

- From underneath the cistern, fit the nut to the cistern bolt and using the screw driver, tighten the cistern bolts. Do not overtighten.



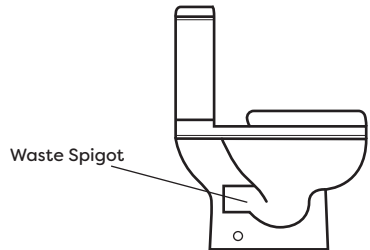
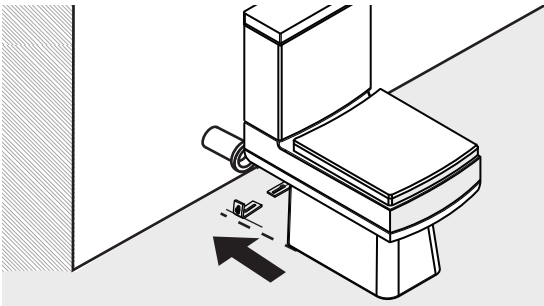
Step 13:

- From underneath the tank, fit the washer and nut to the inlet valve and tighten. Connect the water supply pipe to the inlet valve.



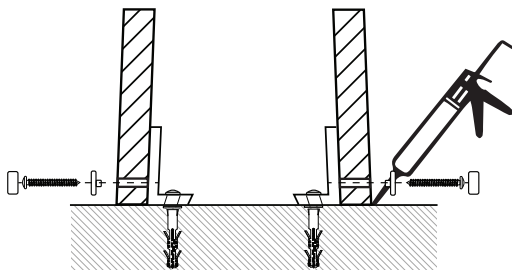
Step 14:

- After securing the brackets, re-fit the toilet pan and push the waste spigot onto the pan connector. Align the fixing holes with the floor brackets, add a small amount of lubricant to assist.



Step 15:

- Once aligned, secure the toilet pan into position using the fixings provided. Finish by pushing on the screw covers. Once installation is completed, apply a small bead of good quality silicone around the bottom edge of the toilet pan. Allow 24 hours for the sealant to fully dry.

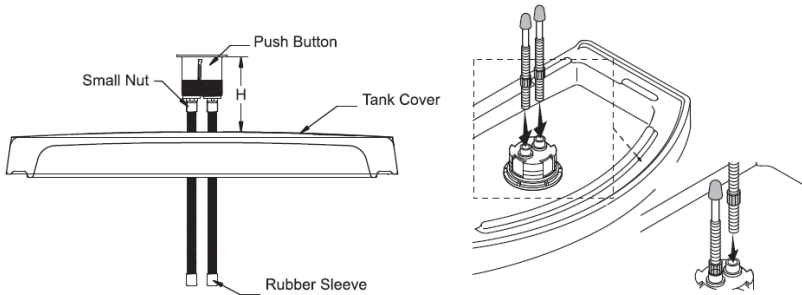


Step 16:

- Remove the nut from the push button assembly then screw the plastic flush rods into the push button.

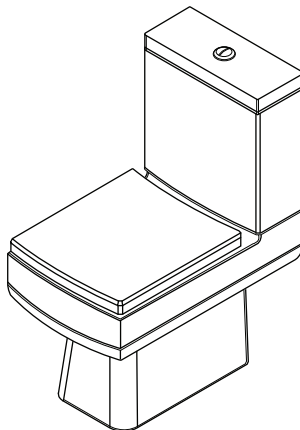
Please note: These should be screwed in so that there is a 2mm minimum gap between the end of the rod and the button of the syphon.

- Place the assembly through the hole in the cistern lid and fit the lid to the tank. When the rods touch the syphon, measure the height 'H'.
- Remove the rubber sleeves (not included in all models), then unscrew the rods and cut down by the dimension 'H', at the end that will touch the syphon.
- Screw the rods back into push button and re-fit the rubber sleeves, then fit the nut and tighten.
- Place the push button through the hole in the cistern lid, aligning the large button with the full flush button on the syphon. Operate several times to ensure it functions correctly.



Step 17:

- Once assembly is completed, turn on the water supply, check for leaks and check the flush operation.

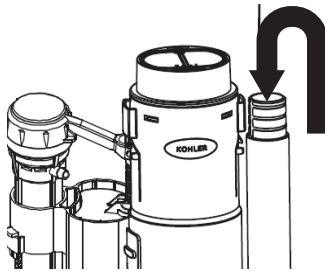


Troubleshooting

Please note: It is recommended to turn off the water supply via the stop valve before carrying out any internal maintenance.

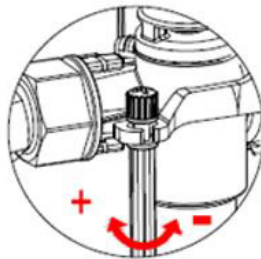
Water continues to run into the toilet pan:

- Remove the cistern tank lid and determine if the water level reaches the overflow pipe on the syphon; if it does, replace the inlet valve, if it doesn't then replace the upper section of the syphon.



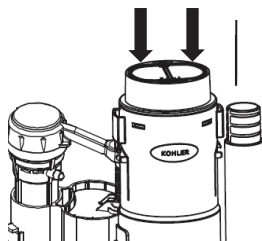
Insufficient or too much water entering the cistern tank:

- Adjust the inlet valve by turning the adjustment screw, until the desired level is reached.



No flush operation when the push button is pressed:

- Remove the cistern tank lid and press the two buttons on top of the syphon. If the cistern flushes 'normal', check that the rods have not been screwed into the push button too far (that they're not reaching the push buttons when pressed). replace the push button if necessary.



If the syphon does not flush when these buttons are pressed, replace the top section of the syphon.

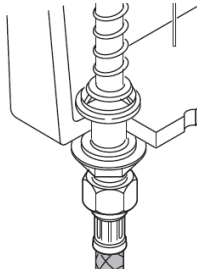
Maintenance

Please note: Turn off the water supply and flush the toilet to drain away the water in the tank, it is also recommended to have a bucket under the tank to catch the draining water.

Depending on the toilet design you may need to remove the toilet pan from its location to access the inlet valve water supply and retaining nut.

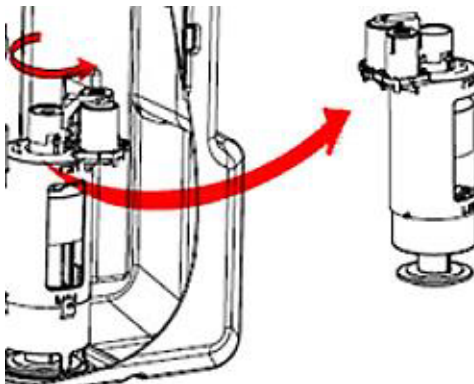
To replace the inlet valve:

- Disconnect the water supply from the inlet valve, then remove the inlet valve by unscrewing the nut on the underside of the cistern tank. Remove the cistern tank lid and pull the inlet valve from the tank. Once replaced, ensure all seals are re-fitted.



To replace the syphon:

- This should only require the top section to be replaced. Grab the syphon, turn it anti-clockwise and then lift. Upon replacing, ensure that the syphon clicks back into position and the flush buttons are aligned with the correct button on the syphon.



Cleaning

To maintain the surface finish of your product, wipe the toilet regularly using a clean damp cloth, a mild detergent mixture can be used. Do not use abrasive cleaning agents or materials which can strip and scratch the surface.

www.victorianplumbing.co.uk