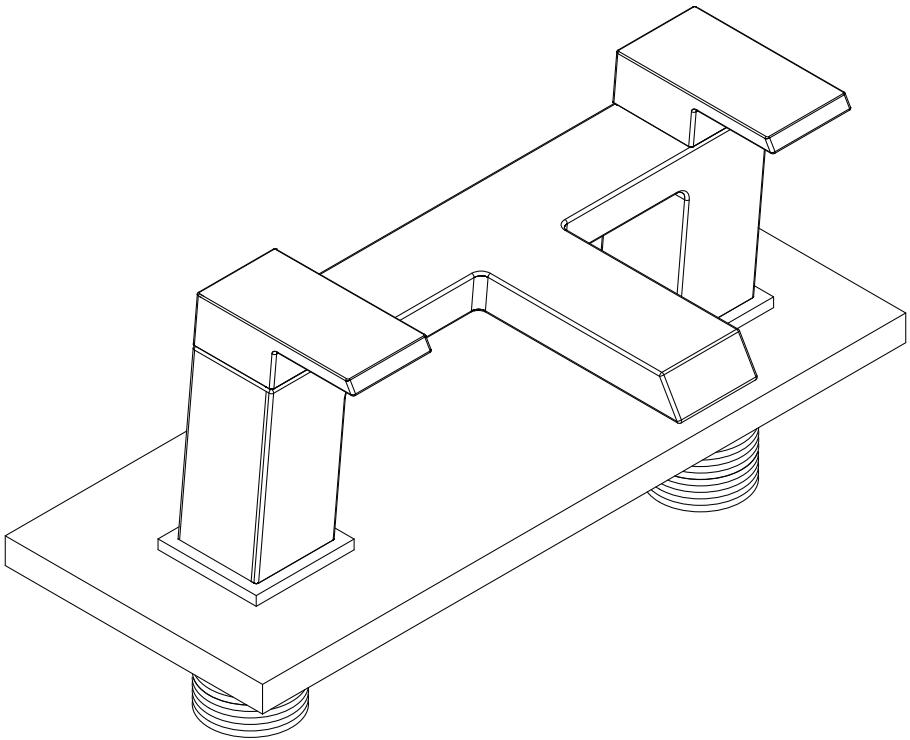




**victorian  
plumbing.co.uk**

## **Bath Filler Mixer Tap**



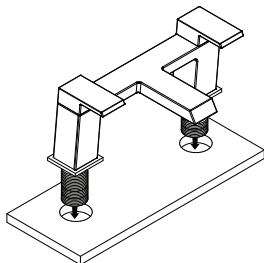
## **Fitting Instructions**

Please follow them carefully and  
leave this manual with end user

## Before you begin:

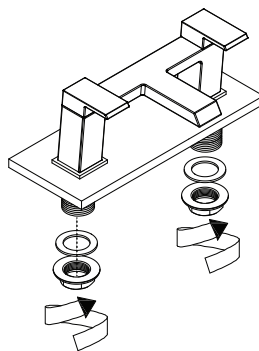
1. **We recommend that this product is installed by a qualified tradesperson**, Victorian Plumbing Ltd. accept no liability for products incorrectly installed, or where the correct testing procedures have not been adhered to, thus resulting in the escape of water and consequential damage.
2. Ensure the supply pipes have been thoroughly flushed to remove any debris.
3. Ensure the incoming mains water supply is switched off prior to commencing the installation.
4. Observe all local plumbing and building codes & regulations.
5. Unpack the product then read these instructions before proceeding. Inspect the product for damage. If any damage is found, contact our Customer Relations team.

①



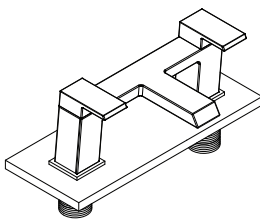
Place the body over the holes in the bath ensuring that the holes are the correct size for the bath tap.

②



Secure the body to the bath by using the O-Ring and Back-Nut below the bath. Tighten the Back-Nut onto the threaded tails with a suitable spanner.

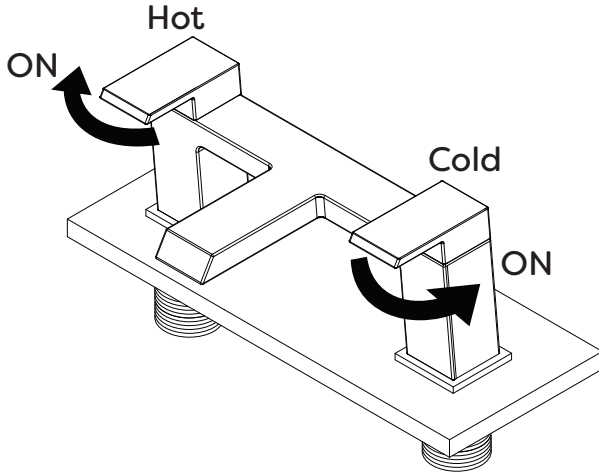
③



Connect the hot & cold water supplies to the threaded tails. Turn on the mains water supply, run the tap and check all joints/connections for any leaks.

**Note:** Diagrams are for illustration purposes only. Your tap may superficially differ from this drawing however the installation guide steps still apply.

## Operation:



## Aftercare:

Always clean the surface of tap to keep it bright. **Attention:** please do not use inappropriate tools such as sharp brushes, rough sponges, scouring pads or corrosive detergent to clean the tap. Please clean the shower valve by wet cloth and soapy water. Then rinse the soap out with clean water and dry with a soft cotton cloth.

## Troubleshooting

FAULT	POSSIBLE CAUSE
Taps do not turn on	<ul style="list-style-type: none"><li>• Closed isolation valve.</li><li>• Mains water supply turned off.</li></ul>
Water dripping from taps	<ul style="list-style-type: none"><li>• This is normal for a short time after using the taps.</li><li>• If water continues to drip, possible build up of limescale in the cartridge valve.</li></ul>
Low or no flow rate	<ul style="list-style-type: none"><li>• Partially closed isolation valve.</li><li>• Instantaneous water heater cycles on and off as flow rate pressure is too low.</li><li>• Head of water is below the minimum distance required.</li><li>• Hot or cold water being drawn off elsewhere causing pressure changes or instantaneous boiler temperature changes.</li><li>• Airlock or partial blockage in the supply pipework.</li></ul>

[www.victorianplumbing.co.uk](http://www.victorianplumbing.co.uk)