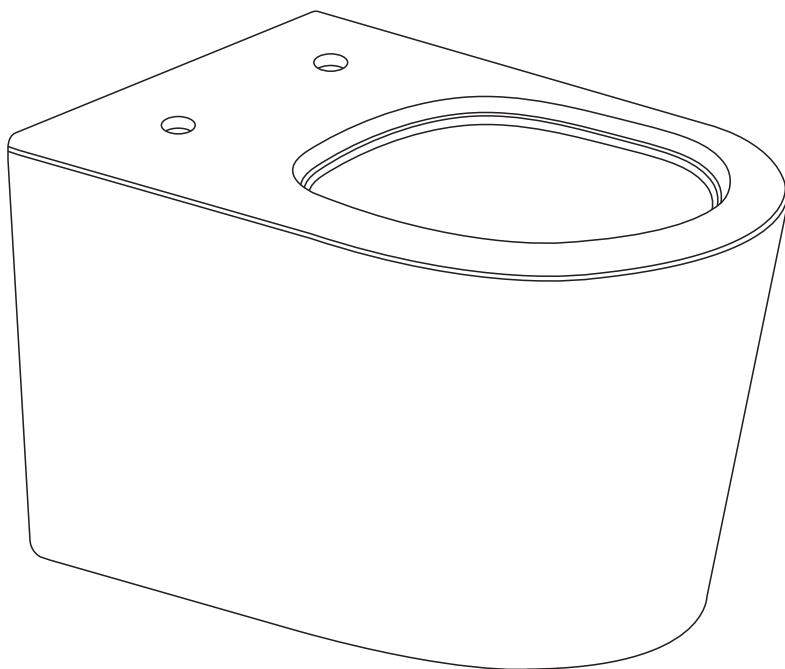


EcoDelux

Wall Hung Pan



Fitting Instructions

Please follow them carefully and
leave this manual with end user

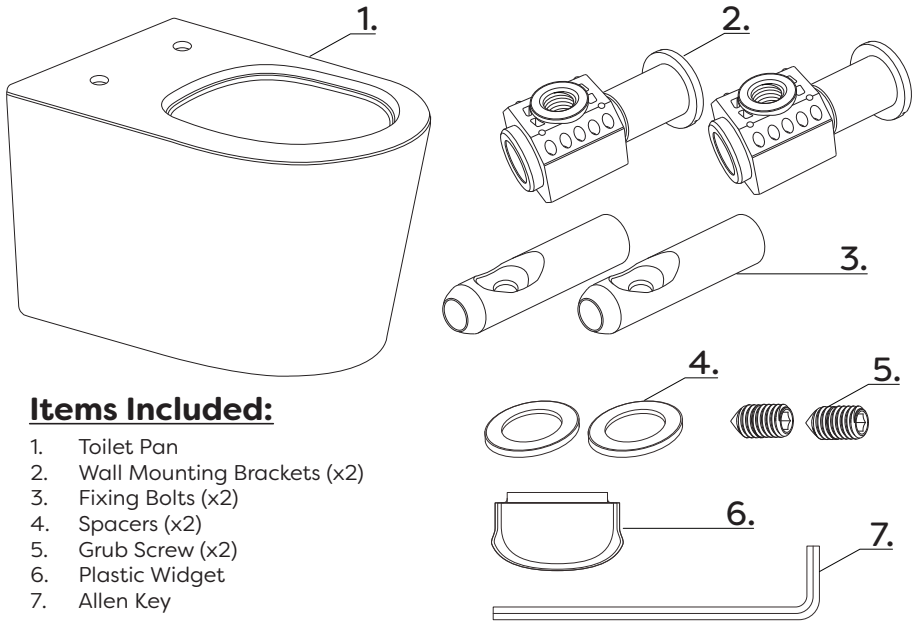
Before you begin:

1. **We recommend that this product is installed by a qualified tradesperson**, Victorian Plumbing Ltd. accept no liability for products incorrectly installed, or where the correct testing procedures have not been adhered to, thus resulting in the escape of water and consequential damage.
2. **Check the chosen wall space for any pipes/cables prior to drilling the wall.**
3. Ensure the incoming mains water supply is switched off prior to commencing the installation.
4. Observe all local plumbing and building codes & regulations.
5. Unpack the product then read these instructions before proceeding. Inspect the product for damage. If any damage is found, contact our Customer Relations team.

Diagrams are for illustration purposes only. Your Wall Hung Toilet Pan may superficially differ from these drawings however the installation guide steps still apply.

Fitting List:

Make sure that all components are present prior to installation.

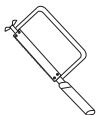


Items Included:

1. Toilet Pan
2. Wall Mounting Brackets (x2)
3. Fixing Bolts (x2)
4. Spacers (x2)
5. Grub Screw (x2)
6. Plastic Widget
7. Allen Key

Tools required for installation (not supplied)

Ensure the appropriate PPE is used during installation



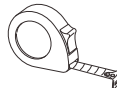
Hand Saw



Spirit Level



Pencil



Tape Measure



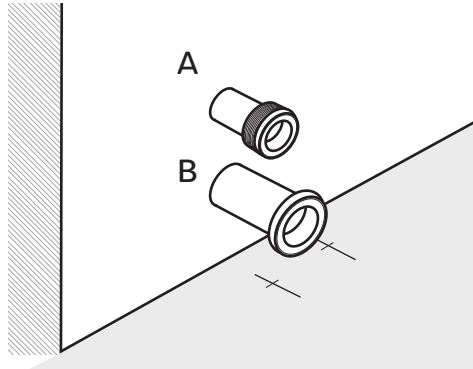
Silicone Sealant



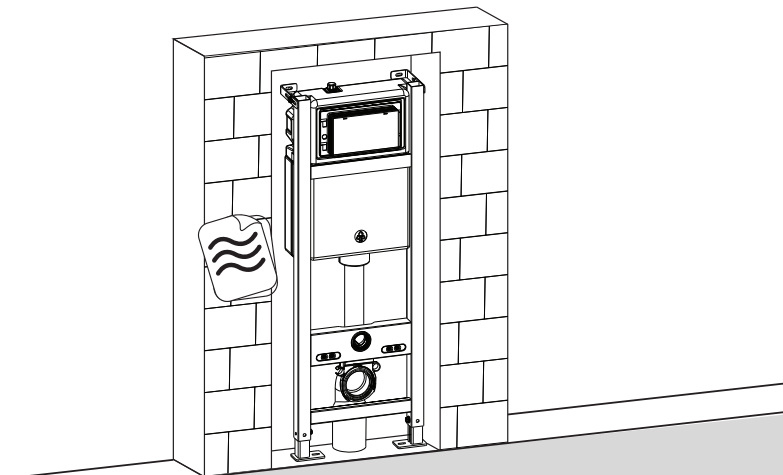
Damp Cloth

Preparing for a Wall Hung Toilet Pan fitting:

- **Please note:** This guide advises on the installation of the wall hung toilet pan only.
- A. Flush Pipe is supplied with the concealed cistern assembly, (Wall Frame/Cistern sold separately)
- B. Pan connector (waste pipe) supplied with Wall Frame/Cistern assembly.
- **Please note:** Pan connector (waste pipe) may need to be purchased separately if a new installation.



- **Please note:** Pipes are not included.
- Once you have received your toilet pan, this will allow you to prepare and install the Wall Frame/Cistern (both sold separately). To install the Wall Frame/Cistern, please use the instruction guides supplied with them.
- Below example shows the assembly of a Wall Frame/Cistern prior to fitting the wall hung toilet pan.
- **This guide advises on the installation of the Wall Hung Toilet Pan only. Refer to the instructions of your chosen Wall Frame/Cistern for guidance if needed.**

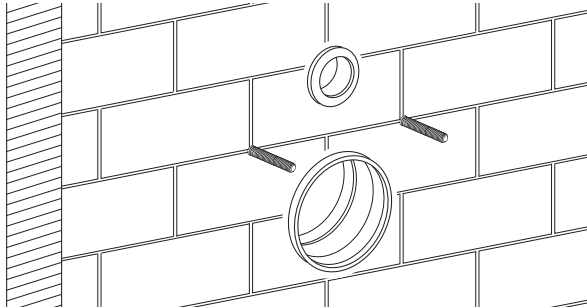


Wall Hung Toilet Pan Fitting:

After the wall frame has been set in the wall and the wall has been finished, proceed to install the toilet pan to the wall.

Step 1:

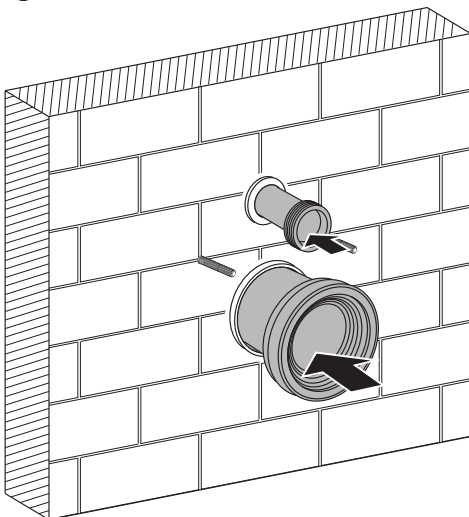
- Prepare the pipes as advised (cutting of the flush pipe and pan connector may be required).
- The threaded bars should be exposed from the frame through the wall, as shown below.



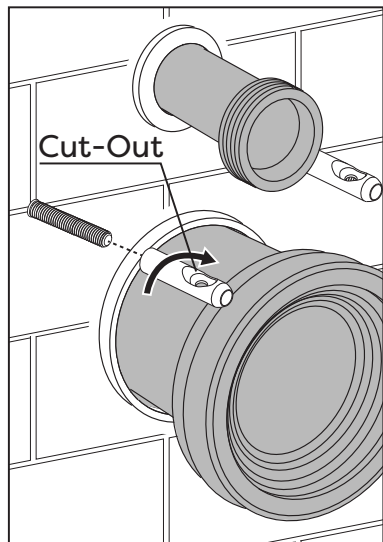
Step 2:

- Apply a small amount of lubricant to the flush pipe and pan connector to assist with fitting the pan. Connect the flush pipe and connector to the frame ready for the connection of the toilet pan.
- Screw the 'Fixing Bolts' onto the threaded bars so that the cut out aligns with the fixing hole in the toilet pan.

2a

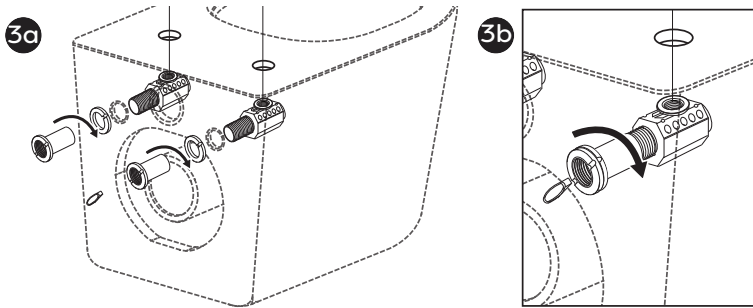


2b



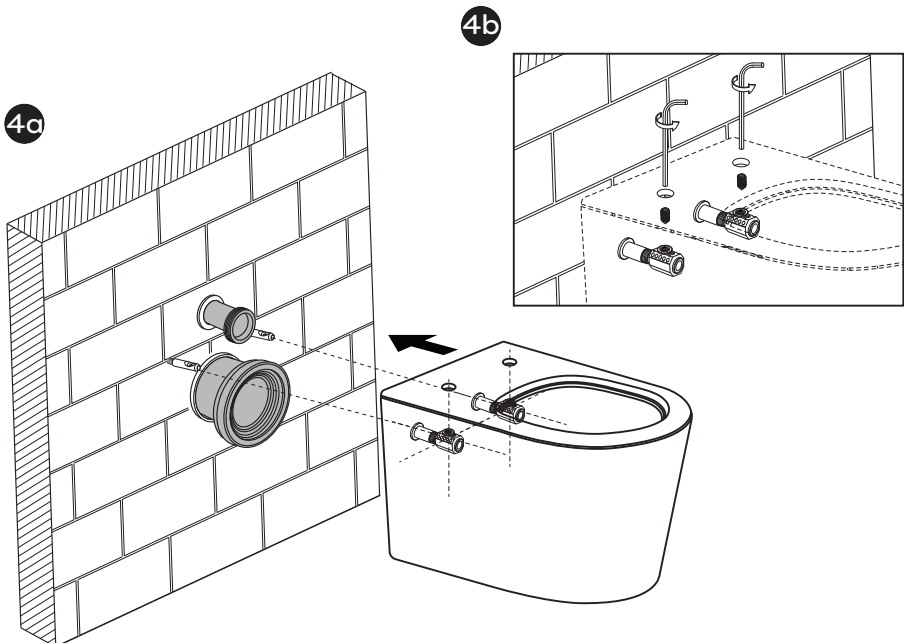
Step 3:

- Insert the 'Wall Mounting Brackets' into the holes at the rear of the toilet pan and align the hole with the fixing hole of the toilet pan. Secure the brackets in place by tightening the back of the fixing bracket using the 'Plastic Widget' provided.



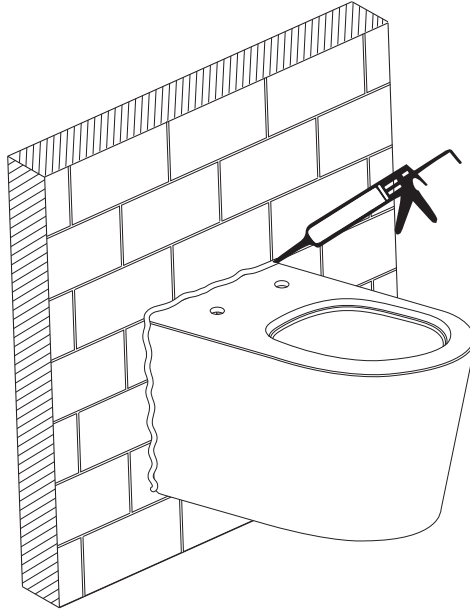
Step 4:

- **Please Note:** It is recommended that two people should carry out this section.
- Mount the toilet pan onto the wall frame ensuring that the flush pipe and pan connector fully engage with the toilet. The cut-out on the 'Fixing Bolts' and the top hole of the 'Wall Mounting Brackets' should be aligned.
- Using the 'Grub Screws' and 'Allen Key' provided, secure the 'Grub Screws' into 'Wall Mounting Brackets' and into the cut-out on the 'Fixing Bolts' and tighten to secure into place.



Step 5:

- Once assembly is completed, turn on the water supply, check for leaks and check the flush operation.
- Pipe a fine bead of good quality silicone sealant around the back of the toilet pan, wipe away any excess silicone with a damp cloth and allow 24 hrs to fully dry.
- Proceed to installing the flush button/plate and toilet seat. Refer to their respective instructions for guidance if needed.



Troubleshooting

Please note: It is recommended to turn off the water supply via the stop valve before carrying out any internal maintenance.

Flush volume into the pan, not sufficient:

- Adjust the flush volume level on the syphon.
- Check that the syphon is operating correctly.
- If none of these resolve the issue, then replace the syphon.

Water running into the pan continually after flushing:

- Establish if the water level in the cistern is reaching the overflow of the syphon. If it does, adjust the inlet valve. If this continues, replace the inlet valve.
- If the water level does not reach the overflow of the syphon, remove the top section of the syphon and check the washer for damage. If the washer is damaged then replace.

Maintenance

All of the maintenance measures resulting from troubleshooting above requires you to access the internals of the cistern tank and for the water supply to be turned off. Please refer to the instruction guide supplied with your cistern for further guidance.

Cleaning

To maintain the surface finish of your product, wipe the toilet regularly using a clean damp cloth, a mild detergent mixture can be used. Do not use abrasive cleaning agents or materials which can strip and scratch the surface.

Recycling and Disposal:

Please recycle the packaging in accordance with your local government regulations on waste handling and follow the same advice at the end of the products life.

Notes:

www.victorianplumbing.co.uk