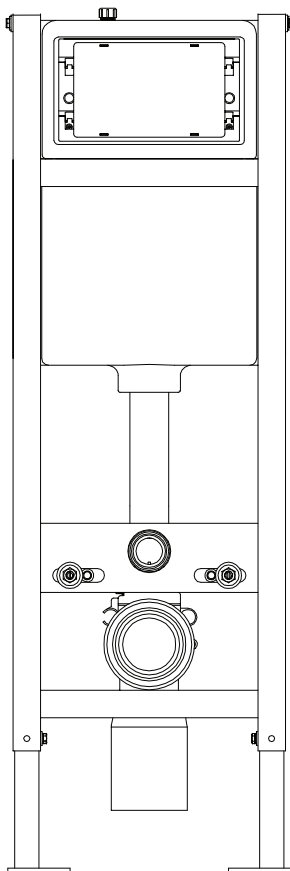


AREZZO

Concealed Cistern Frame For Wall Hung Pans



Fitting Instructions

Please follow them carefully and
leave this manual with end user

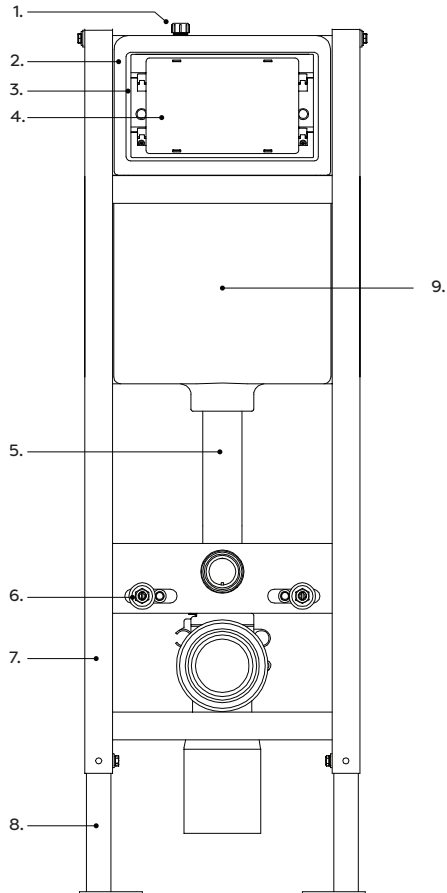
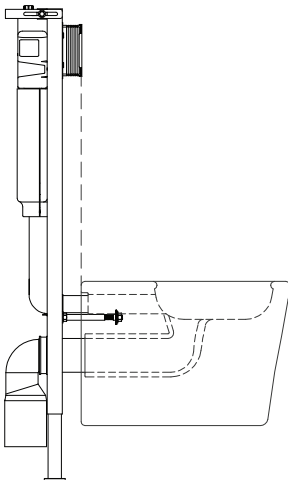
Before you begin:

1. **We recommend that this product is installed by a qualified tradesperson.** Victorian Plumbing Ltd. accept no liability for products incorrectly installed, or where the correct testing procedures have not been adhered to, thus resulting in the escape of water and consequential damage.
2. **Check the chosen wall space for any pipes/cables prior to drilling the wall.**
3. Ensure the incoming mains water supply is switched off prior to commencing the installation.
4. Observe all local plumbing and building codes & regulations.
5. Unpack the product then read these instructions before proceeding. Inspect the product for damage. If any damage is found, contact our Customer Relations team.

Parts:

Frame contents:

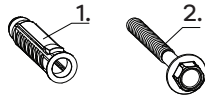
1. Brass angle valve
2. Fixing frame
3. HDPE cover
4. Protective cover
5. Flush pipe
6. WC pan securing studs
7. Metal frame
8. Adjustable frame foot
9. EPS noise reducing cover



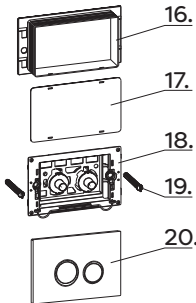
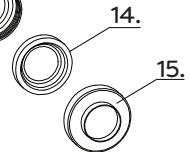
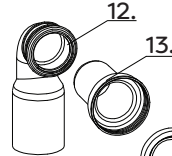
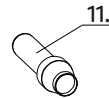
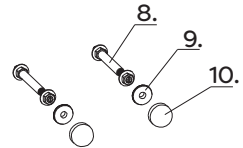
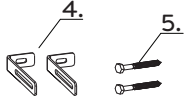
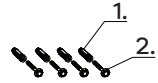
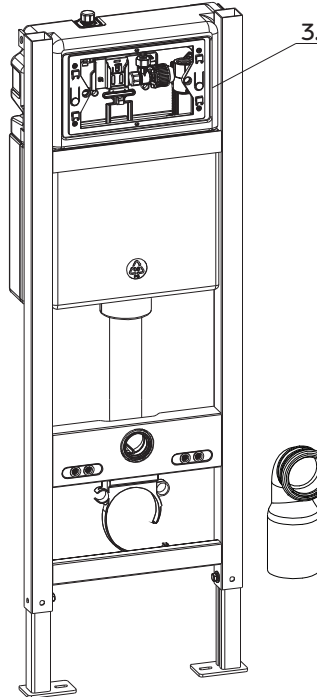
Diagrams are for illustration purposes only. Your cistern may superficially differ from these drawings however the installation guide steps still apply.

Fixing components:

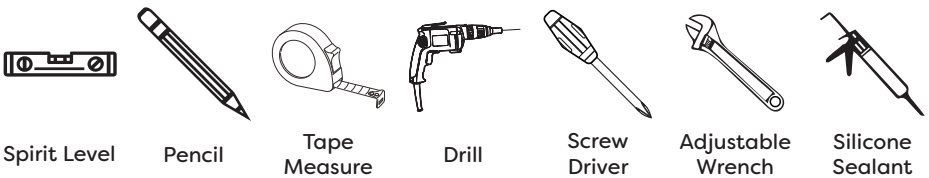
1. Rawl Plugs (x4)
2. Screws (x4)
3. Tank + Metal frame (x1)
4. Fixing bracket (x2)
5. Screw Bolt (x2)
6. Bracket washers (x2)
7. Hex Nut (x2)
8. WC Pan securing studs (x2)
9. Pan Washers (x2)
10. Decorative covers (x2)
11. Flush connection pipe (x1)
12. Angled soil pipe (x1)
13. Straight pan connector (x1)
14. Rubber gasket (x1)
15. Drain pipe protection cap (x1)
16. Assemble frame (x1)
17. Blank plate (x1)
18. Control system (x1)
19. Flush plate bolts (x2)
20. Flush plate (optional) (x1)



Amplification
Scale: 1:6



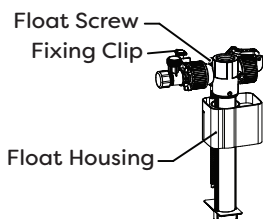
Tools required for installation (not supplied)



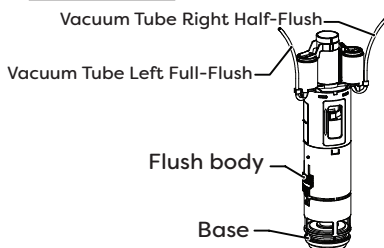
Fitting Installation

Diagrams are for illustration purposes only. Your cistern may superficially differ from these drawings however the installation guide steps still apply.

Fill Valve:



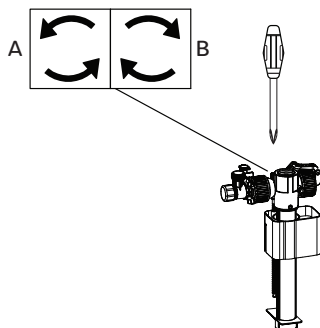
Flush Valve:



(Note: Flush valve may be colour coded indicating Half and Full flush)

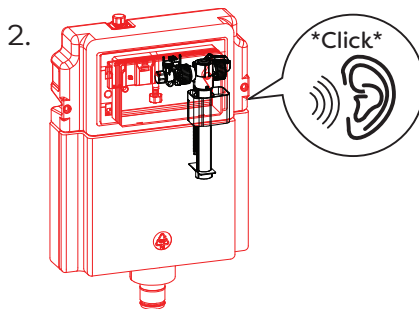
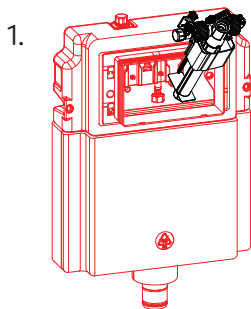
Water level and fill valve maintenance

- To get the best flush performance while saving water at the same time, you may need to adjust the fill valve level.
- As shown in Below Illustration, Screw the float screw with a Cross/Phillips screwdriver to move the float up and down to get the appropriate water level in the tank. Turning the float screw anti-clockwise (A) will lower the water level, and turning the float screw clockwise (B) will increase the water level.



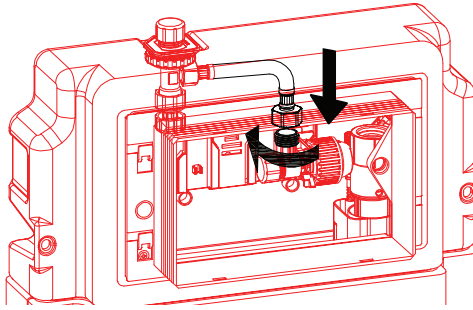
Step 1:

- Insert the fill valve into the cistern tank. Ensure the fill valve is in the correct position indicated by an audible 'click'.



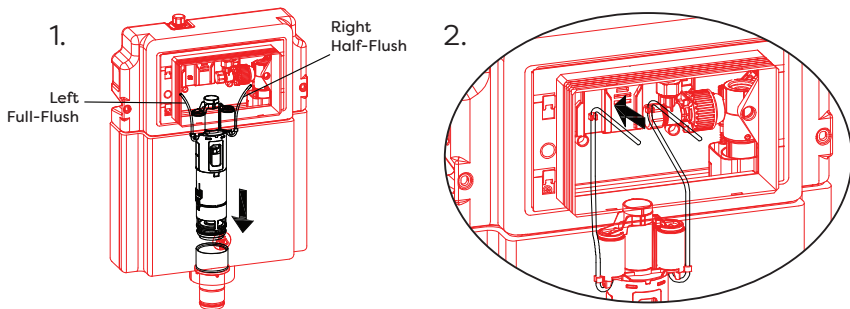
Step 2:

- Connect the flexible hose from the angle valve to the fill valve inlet. Tighten with an adjustable wrench.



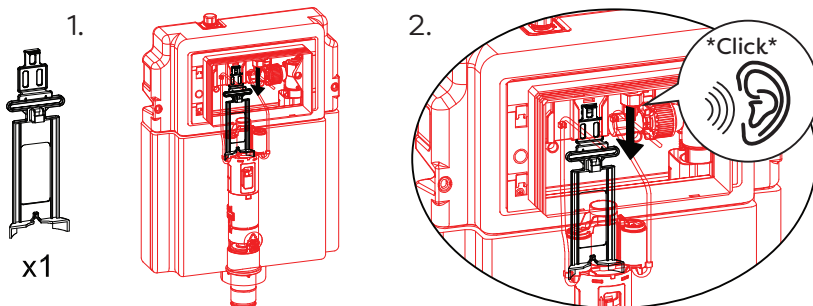
Step 3:

- Insert the flush valve down into the flush pipe connector, then feed the vacuum pipes through and clip them into the back of the cistern tank.



Step 4:

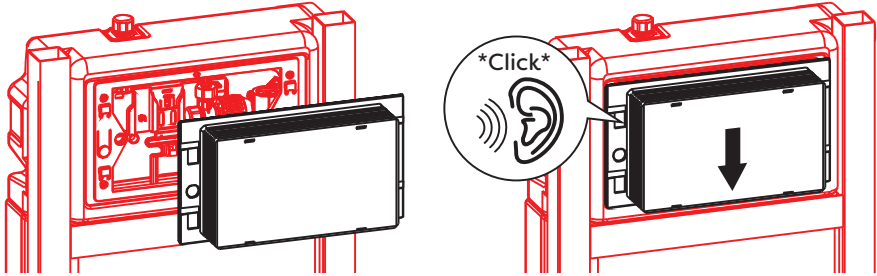
- Insert the fixing clip for the flush valve to the back of the cistern tank. Ensure the clip is secure in place indicated by an audible 'click'. Proceed to the installation of the cistern.



Installation

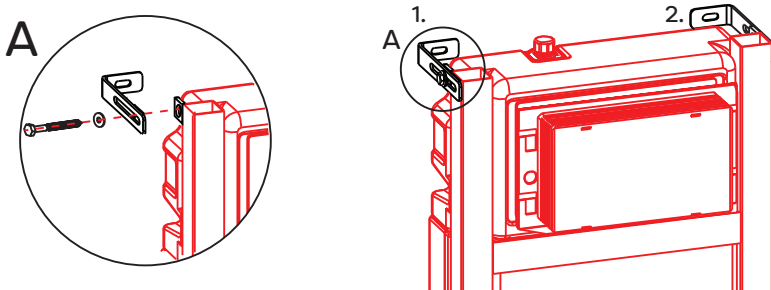
Step 1:

- Assemble the flush plate mounting frame to the tank in the correct position. To Assemble: push down the fixation frame, keeping the withhold button up. To Disassemble: press the raised round button down, and push the fixation frame up.



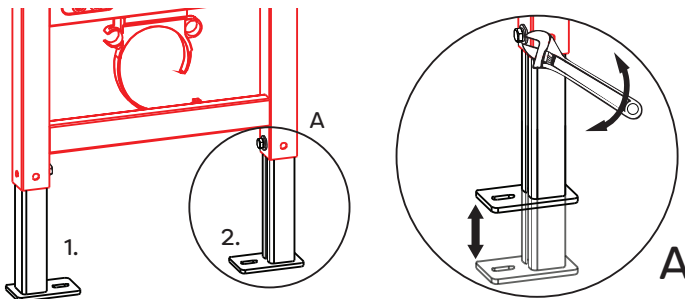
Step 2:

- Screw the angle fixing brackets, bolts (each 2pcs), hex nut and washer (each 2pcs) to the metal frame and secure.



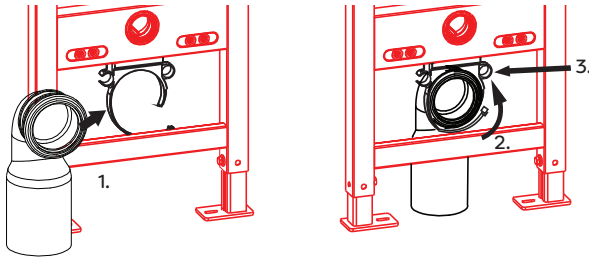
Step 3:

- Loosen the two screws on the metal frame feet using an adjustable wrench or a spanner, adjust the metal frame to the height required, then tighten the two screws.



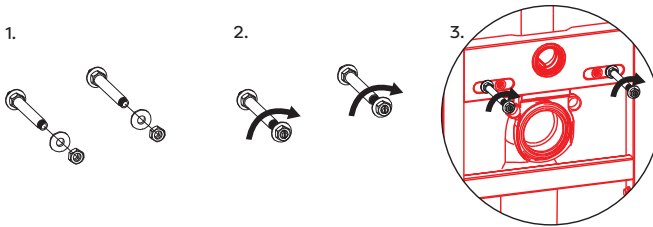
Step 4:

- Position the 90-degree soil elbow into the securing clip and lock the clip into the closed position indicated by an audible “click”.



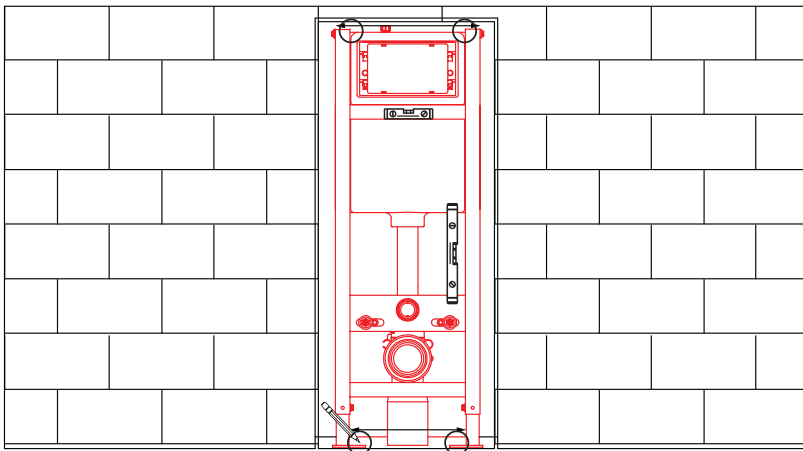
Step 5:

- Check the rear of your chosen toilet pan and measure the distance between the bolt holes for the securing bolts. Insert the two bolts (part no.4) into the correct bolt holes within the wall frame structure ready for attaching the toilet pan.



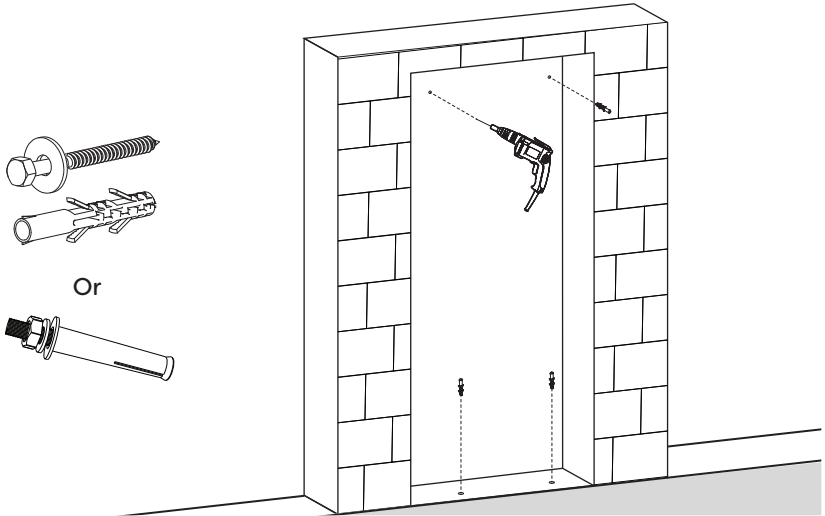
Step 6:

- Position the frame within the wall/cabinet and mark the appropriate fixing points ready for drilling and screwing.



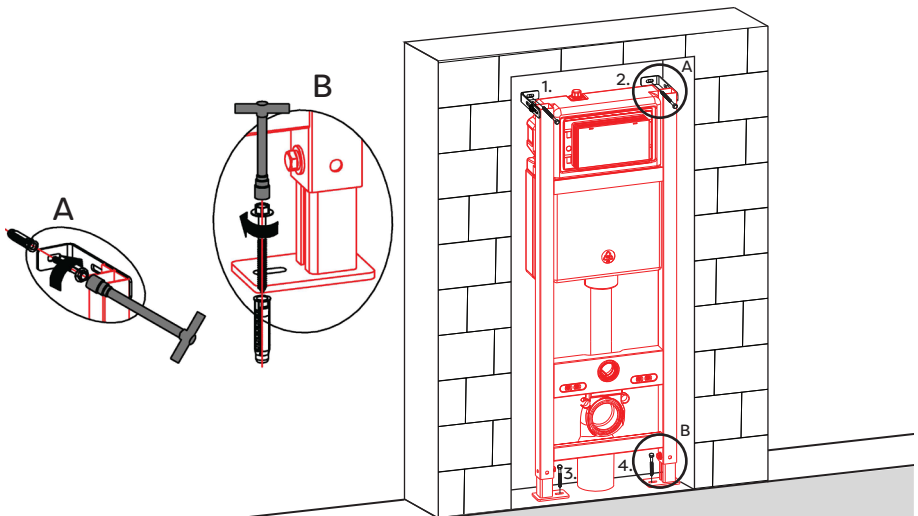
Step 7:

- Using an appropriately sized drill bit carefully drill the walls. Ensure that no pipes or cables can be damaged when drilling. Insert the rawl plugs into the pre-drilled holes.



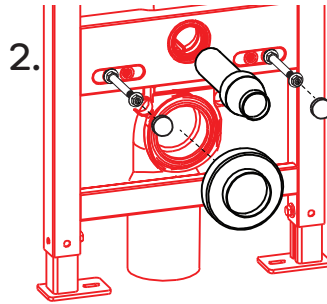
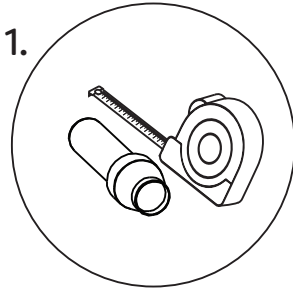
Step 8:

- Secure the frame kit to the wall/cabinet using the supplied securing bolts and fixings.



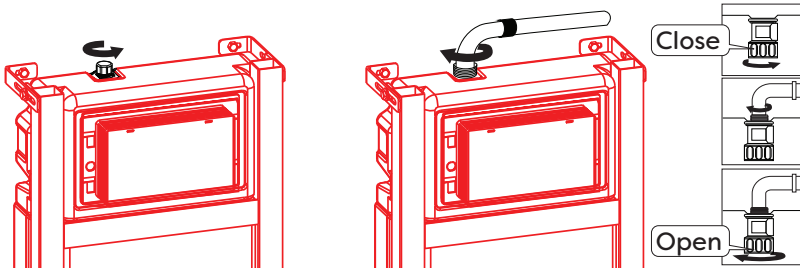
Step 9:

- Prepare the flush connection pipe by inserting into the frame kit ready for the installation of the toilet pan. Place the protection cap over the over the flush connection pipe.



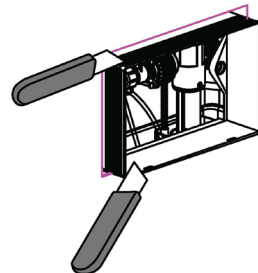
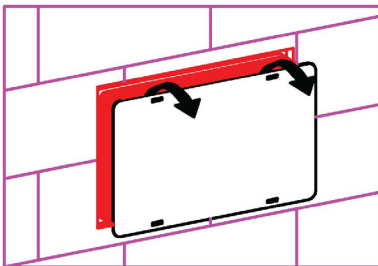
Step 10:

- Loosen the angle valve, remove the blank cap and connect the inlet pipe to the angle valve. Proceed to assemble the wall/cabinet.



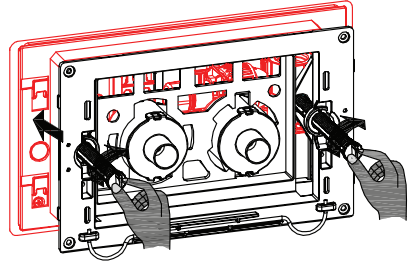
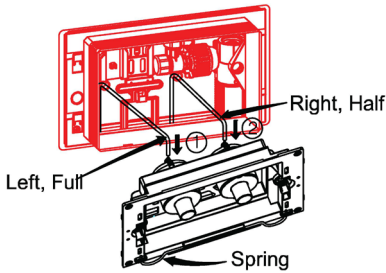
Step 11:

- After assembly, remove the protective cover. Using a bladed instrument, cut the plastic frame to finish flush to the completed wall surface.



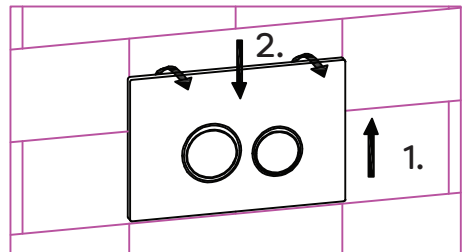
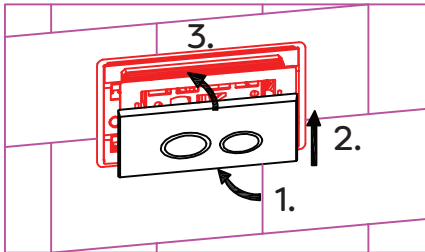
Step 12:

- Connect the vacuum pipes to the appropriate fixings marked Right and Left. Lift the spring clip to secure the flush plate into the frame, then secure the assembly using the bolts provided.



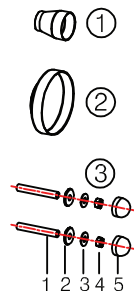
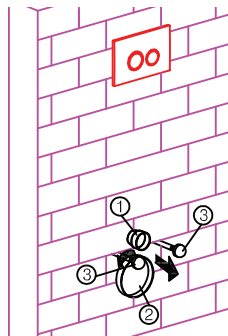
Step 13:

- Fit the flush control panel to the control system. To remove the plate, push the button plate upward, then pull the plate out. Ensure the flush plate is in the correct orientation.



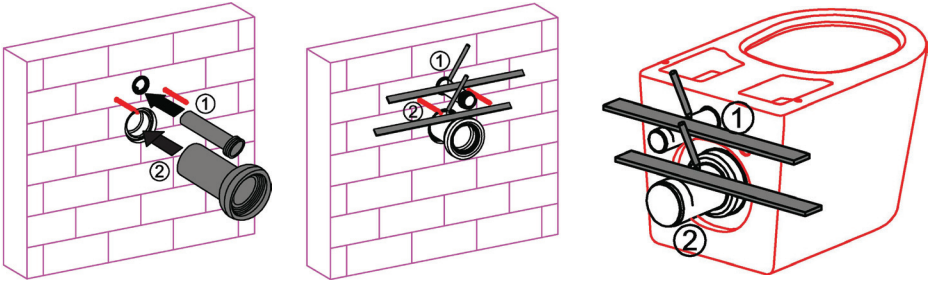
Step 14:

- Prepare the frame kit ready to accept the toilet pan.



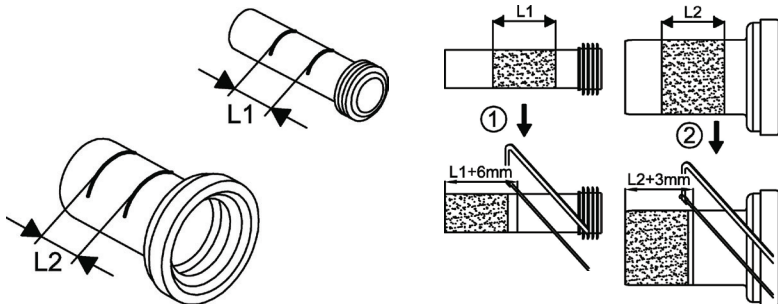
Step 15:

- Insert both the soil and flush pipes into the joints. Measure the pipe lengths required and mark accordingly. Fit the pipes to the pan and mark the pipes accordingly to the size required.



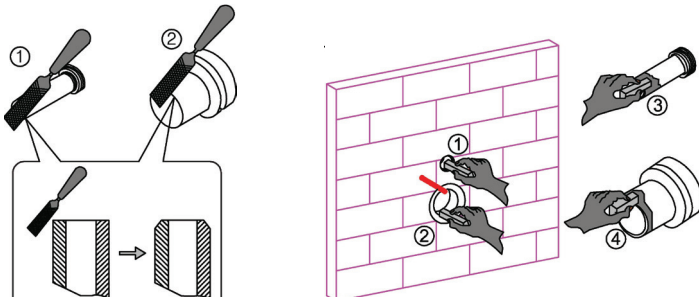
Step 16:

- Check both pipes to ensure they are the correct length, cut the pipes to length.



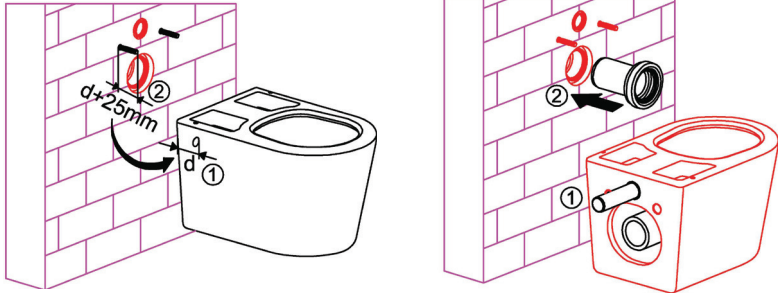
Step 17:

- Using a file, chamfer the end of the pipes to enable ease of installation into the sockets. Lubricate the pipes prior to inserting into the sockets.



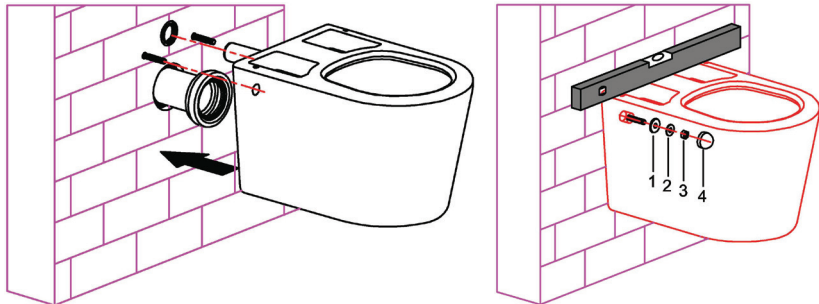
Step 18:

- As seen in the illustration below, measure the size of (d). Hang the toilet to the two screw bolts which needs to be 25mm longer than the size of (d). Insert the straight inlet pipe with the rubber sealing into the inlet hole of the toilet. Insert the horizontal drain pipe into the vertical drain pipe in the wall. **Attention:** Make sure to insert and secure in place.



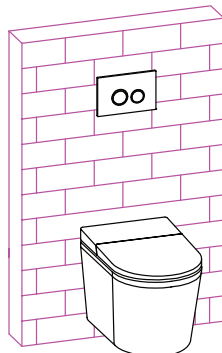
Step 19:

- Secure the toilet pan onto the studs in the wall and connect the waste pipes. Using a spirit level check to ensure the pan is level and tighten the bolts.



Step 20:

- Once assembly is completed, turn on the water supply, check for leaks and check the flush operation.

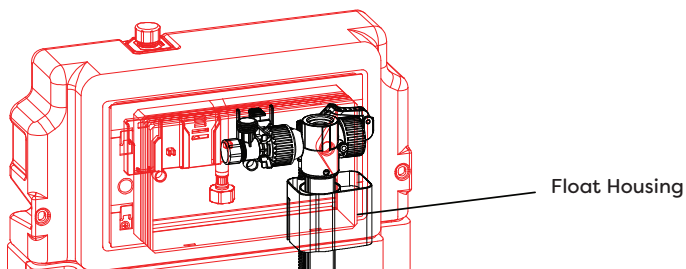


Troubleshooting

Please note: It is recommended to turn off the water supply via the stop valve before carrying out any internal maintenance.

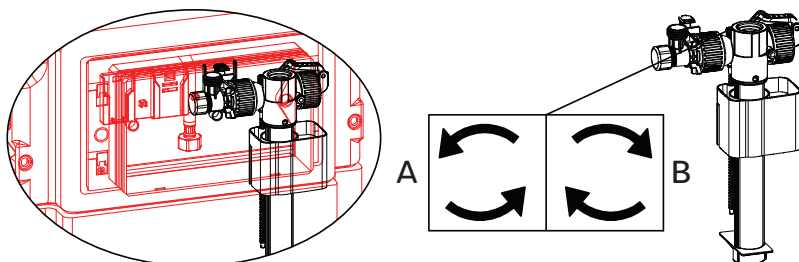
Water continues to run into the toilet pan:

- Check the inlet valve is closing when reaching the correct recommended water level. Ensure the float mechanism is not being obstructed and causing the cistern to continually fill thus causing an overflow into the toilet pan.



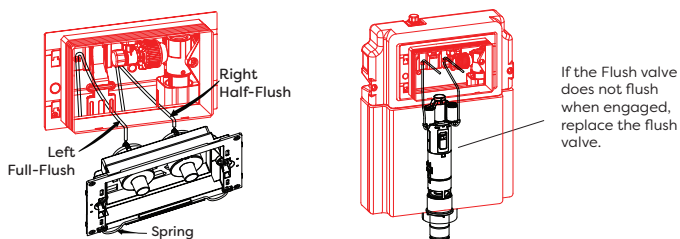
Insufficient or too much water entering the cistern tank:

- Adjust the fill valve by turning the float screw, until the desired level is reached. Turning the float screw anti-clockwise (A) will lower the water level, and turning the float screw clockwise (B) will increase the water level.



No flush operation when the push button is pressed:

- Remove the flush plate button and press the two buttons on the control system. Check that the control panel engages the flush valve properly (that the vacuum tubes are properly connected). If the cistern flushes 'normal', ensure the flush plate is fitted in the correct orientation.



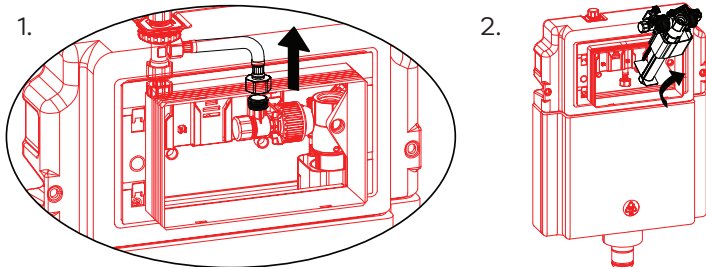
Maintenance

Please note: Turn off the water supply and flush the toilet to drain away the water in the tank, it is also recommended to have a bucket under the tank to catch the draining water.

All of the maintenance measures resulting from troubleshooting above requires you to access the internals of the cistern tank and for the water supply to be turned off. Depending on the toilet design you may need to remove the toilet pan from its location to access the Inlet pipe, fill valve and flush valve.

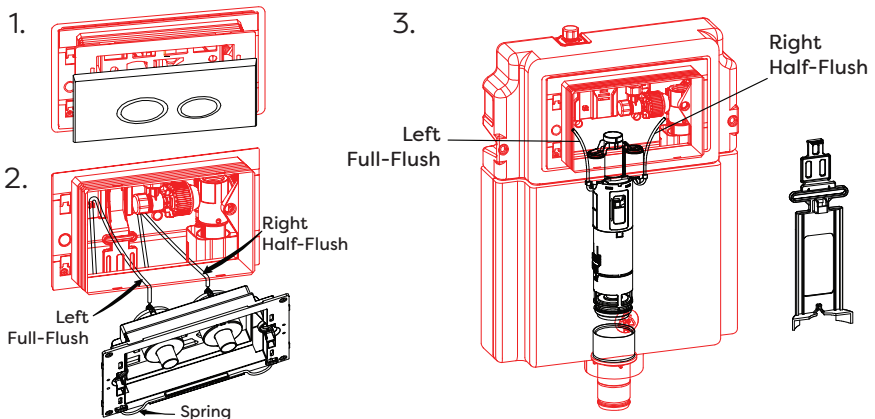
To replace the Fill valve:

- Disconnect the water supply from the fill valve, then remove the fill valve by unscrewing the hose on the valve inlet. Remove the fill valve from the cistern tank. Once replaced, ensure all components are re-fitted.



To replace the Flush Valve:

- Remove the flush plate, control panel and fixing clip. Disconnect the flush valve from the flush pipe connector. Upon replacing, ensure the flush valve clicks into position and in the correct orientation.



Cleaning

To maintain the surface finish of your product, wipe the toilet regularly using a clean damp cloth, a mild detergent mixture can be used. Do not use abrasive cleaning agents or materials which can strip and scratch the surface.

Notes:

www.victorianplumbing.co.uk