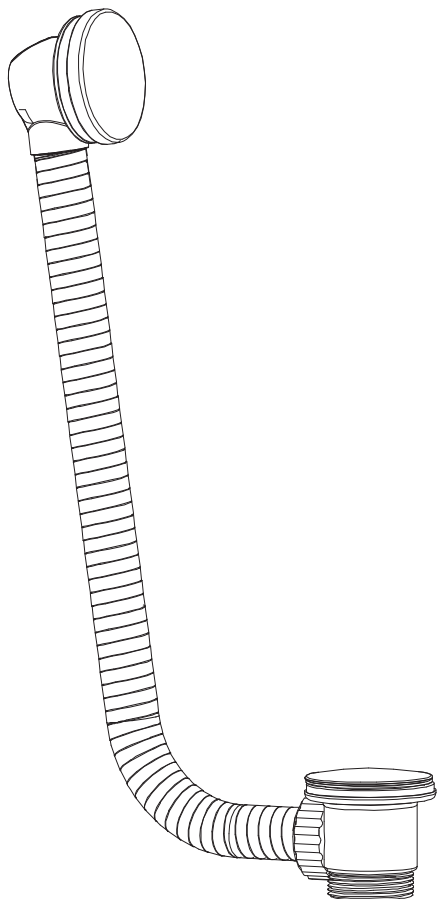




Click-Clack Bath Waste With Overflow



Fitting Instructions

Please follow them carefully and
leave this manual with end user

Installation Guide

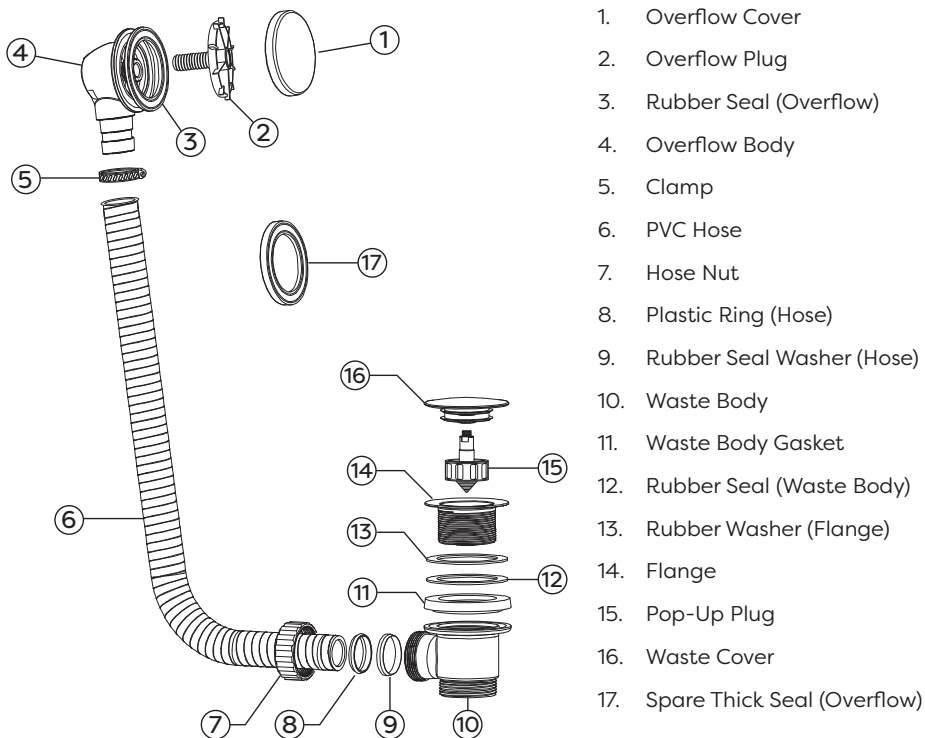
Before installation, please read this guide carefully.

1. **We recommend that this product is installed by a qualified tradesperson**, Victorian Plumbing Ltd. accept no liability for products incorrectly installed, or where the correct testing procedures have not been adhered to, thus resulting in the escape of water and consequential damage.
2. Ensure the incoming mains water supply is switched off prior to commencing the installation.
3. Observe all local plumbing and building codes & regulations.
4. Carefully inspect the product for damage. If any damage is found, immediately contact our Customer Relations Team.

Operation notice:

1. The waste and the tap is suitable for being installed in the bathtub with a thickness around 1~15 mm.
2. Read all the instructions completely before proceeding.

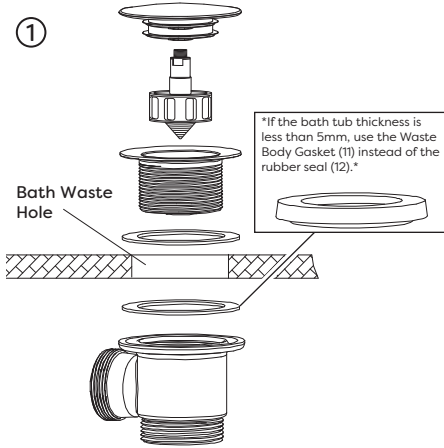
Fitting List:



Diagrams are for illustration purposes only. Your Bath Waste/Overflow may superficially differ from this drawing however the installation guide steps still apply.

Waste Installation:

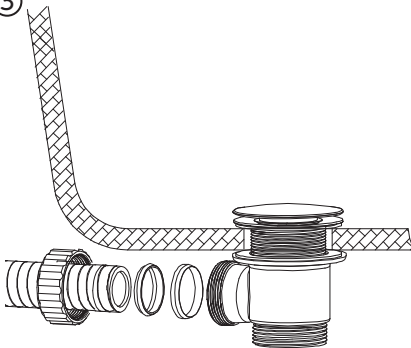
①



Place the rubber washer over the bath waste hole, then proceed to feed the flange through the same hole.

Place the rubber seal onto the flanged part of the waste body then screw the waste body to the flange on the underside of the bath waste hole.

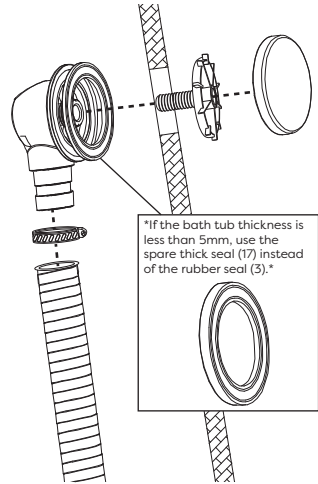
③



Attach the PVC hose to the waste body using the rubber seal, plastic ring, and hose nut provided. Ensure that the connection has a tight seal. **Be careful not to overtighten.**

Note: You may need to cut the hose to the required length in order to fit to the bath correctly.

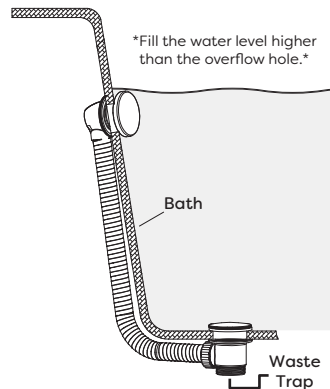
②



Place the rubber washer and the overflow body at the back of the bath and line up with the overflow hole. From the front of the bath, attach the overflow plug to the overflow body, then connect the cover cap to the plug.

Attach the hose to the overflow body using the clamp provided. **Be careful not to overtighten.**

④



Connect the waste trap to the waste body. Turn on the water supply, fill the bath with water and check all joints to ensure there are no leaks.

Note: This is the best done in stages starting with a small amount of water before fully filling the bath.

Aftercare:

When installing or using tools, extra care must be taken to avoid damaging the finish or fitting. To maintain the appearance, please ensure it is cleaned regularly using a clean soft damp cloth only. Abrasive cleaners or detergents must not be used as they may cause surface deterioration.