

**Modern Easy-Clean Chrome Click-Clack
Bath Waste + Overflow
ECBW222**

**INSTALLATION
INSTRUCTIONS**

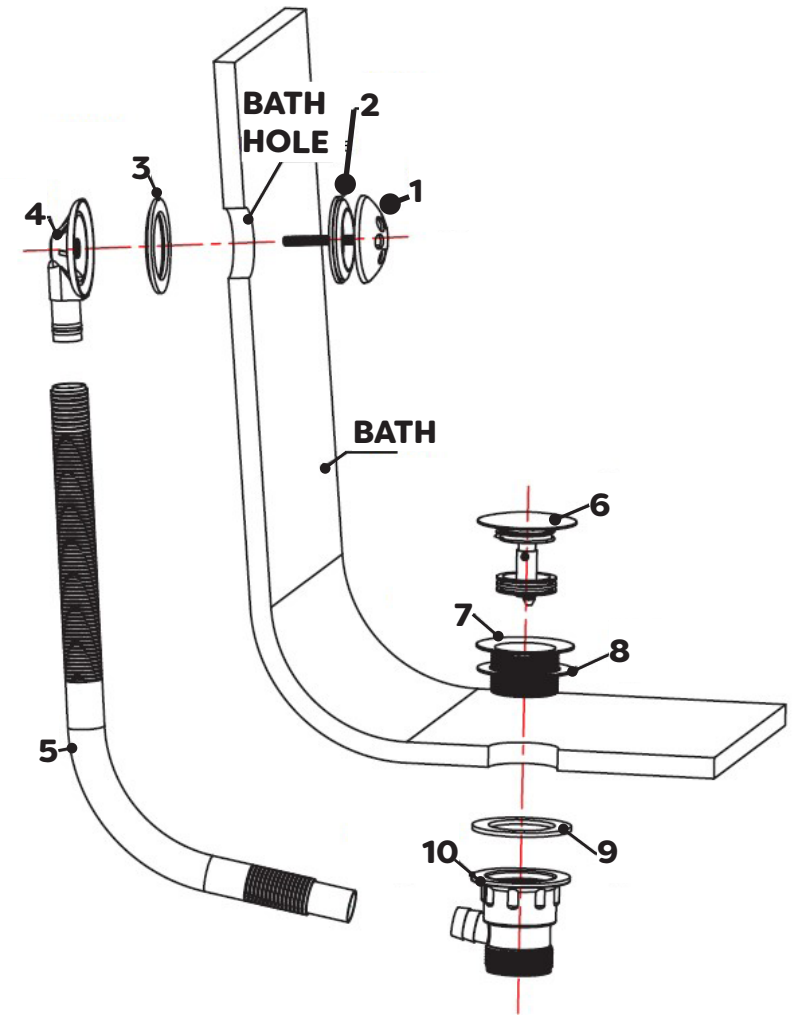
Please follow these care instructions to ensure your product retains it's high quality finish and please retain this leaflet for future reference.

Prior to Installation

1. Identify all components are present prior to installation
2. This product is for bathtub thickness: 5-25mm
3. Please ensure the wash pipe is clear before installation

Installation

1. Remove the overflow cover(1)
2. Place washer(3) into overflow elbow(4) and then connect overflow cover(1) to overflow elbow(4) screw in. PLEASE ENSURE THAT WASHERS (2 &3) ARE EITHER SIDE OF THE BATH HOLE WHEN INSTALLING.
3. Remove waste body(10) from waste flange(7)
4. Waste flange(7) put on rubber washer (8) lock tight into waste body(12). PLEASE ENSURE THAT WASHERS (8 &9) ARE EITHER SIDE OF THE WASTE HOLE WHEN INSTALLING.
5. Put the waste cover(6) in the waste flange (7)
6. Align overflow elbow(4) with waste body(12) water inlet direction and attach plastic pipe(5) (as per image)
7. After installation test if there is leakage,make sure all of parts are installed at right position and can be used normally



1. Overflow Cover
2. Overflow Washer
3. Overflow Washer
4. Overflow Elbow
5. Plastic Pipe

6. Waste Cover
7. Flange
8. Waste Washer
9. Waste Washer
10. Waste Body

WARNING!

We recommend that this product is installed by a qualified tradesperson and we accept no liability for products fitted incorrectly, and where the correct testing procedures have not been used, resulting in the escape of water.