
	<p>Device carrying this symbol must never be disposed of with household waste, but must be collected separately for recycling. At the end of their life, products must be collected and recycled according to local regulations and ordinances.</p>
	<p>When an device is installed at a higher altitude, the air output temperature rises (around 10° C per 1000 m rise in ground).</p>

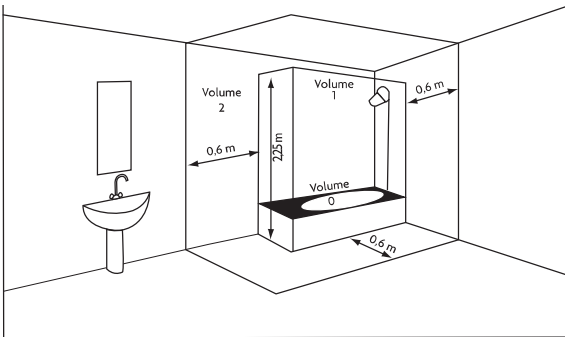
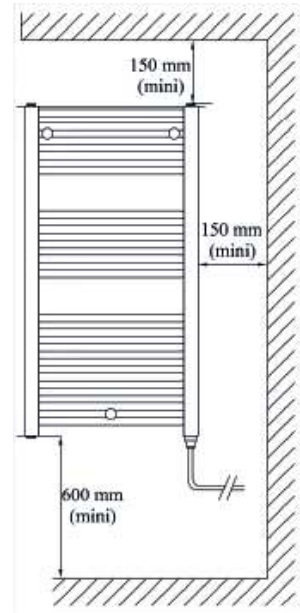
INSTALLING THE DEVICE

I) Location of the device

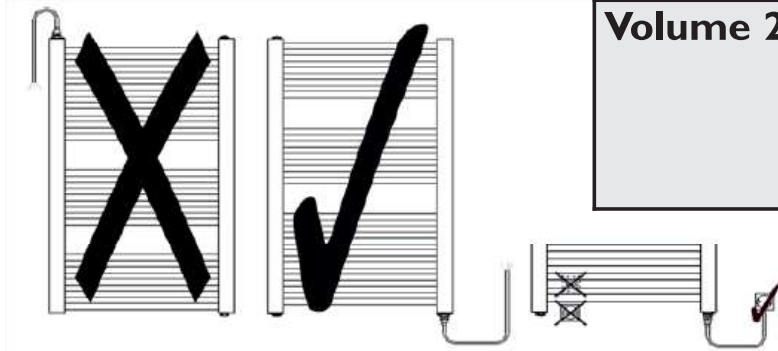
- This device was designed to be installed in residential premises. In any other case, please call your distributor.
- Installation must comply with the standards currently enforced in the country of use.
- Locate the device within minimum distances from obstacles.
- Do not install shelf above the device.

Do not install the device in a draft likely to affect its control (under centralised mechanical ventilation, etc...).

Do no install it under a fixed mains outlet.



Volume 1	No electrical device
Volume 2	Electrical device IPX4 (Standard EN 60335-2-43 : 2003/A2: 2008)



2) Connecting the device

- The device must be supplied with 230V, 50Hz.
- Mains connection must be ensured using the 3-wire cable factory fitted to the heater, through a connecting box. In damp premises, such as bathrooms and kitchens, install the connecting box at least 25cm from the ground.
- The installation must comply with local national regulation.

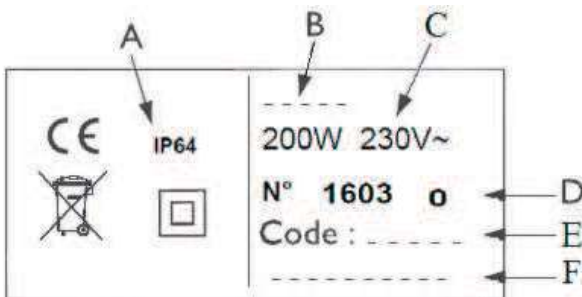
WARRANTY CONDITIONS

KEEP THIS DOCUMENT IN A SAFE PLACE

(To be presented by the user only in the event of a claim)

- The guarantee period is two years from the date of installation or purchase and may not exceed 30 months from the date of manufacture in the absence of a receipt.
- The guarantee covers the replacement and supply of components recognised as being defective, excluding any damages or interest.
- The user is responsible for any labour or transport costs.
- The guarantee does not cover any damage arising from improper installation, abnormal use or non-observance of the requirements of the said instructions for installation and use .
- The stipulations of the present guarantee conditions do not exclude any of the purchaser's legal rights of guarantee against faults or hidden defects, which are applicable in all cases under the stipulations of Articles 1641 of the Civil Code.
- Present this certificate to your distributor or installer only in the event of a claim, together with your purchase invoice.

GB



- A Standards, quality indications
- B Trade Name
- C Power and Electrical values
- D Reference Factory & serial no
- E Commercial Code
- F Factory name

SERIAL NUMBER* (D):

TYPE OF DEVICE* (E):

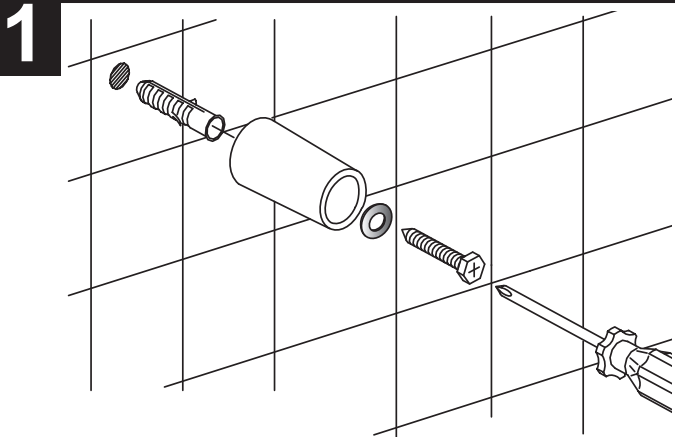
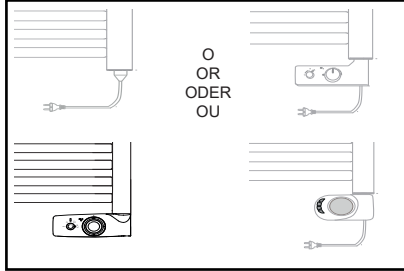
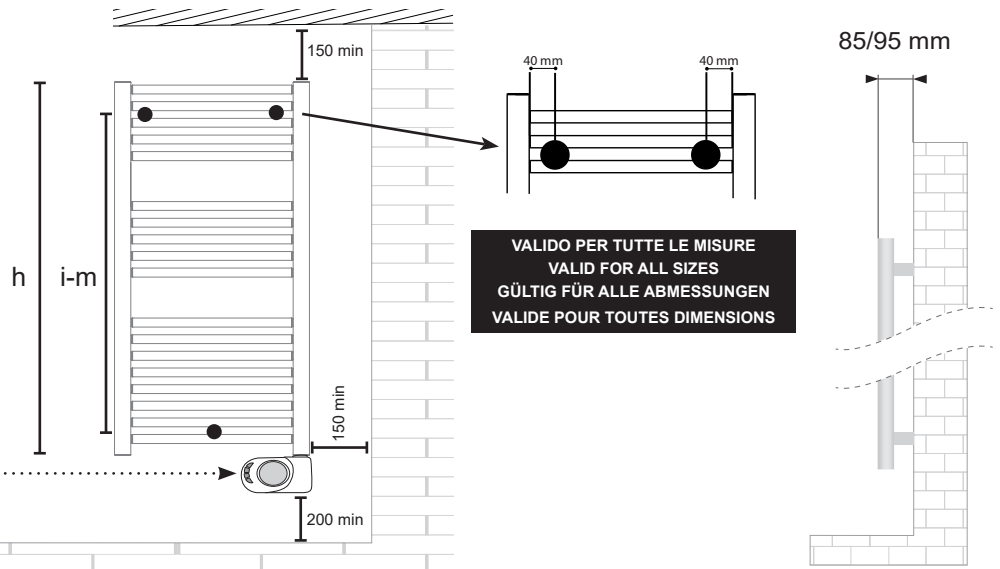
CUSTOMER'S NAME AND ADDRESS:

* This information can be found on the information plate situated on the left-hand side of the device

U0689464-C

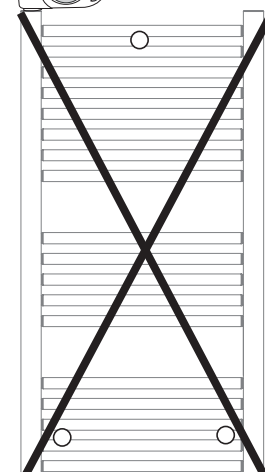
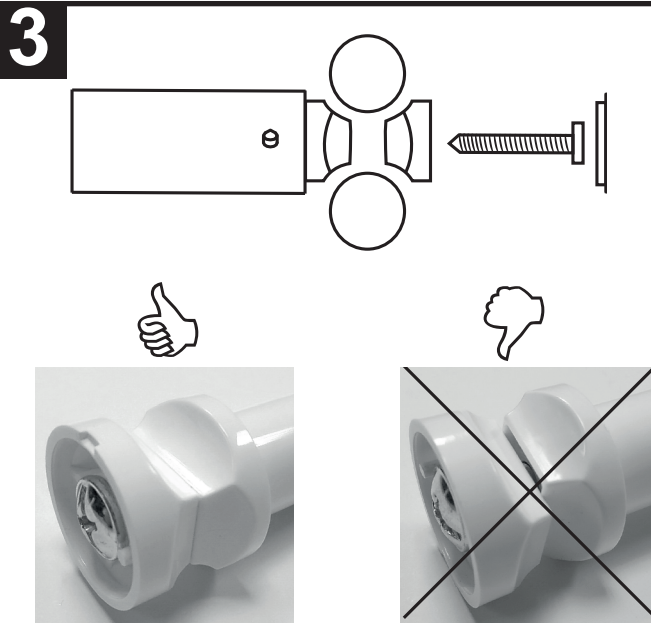
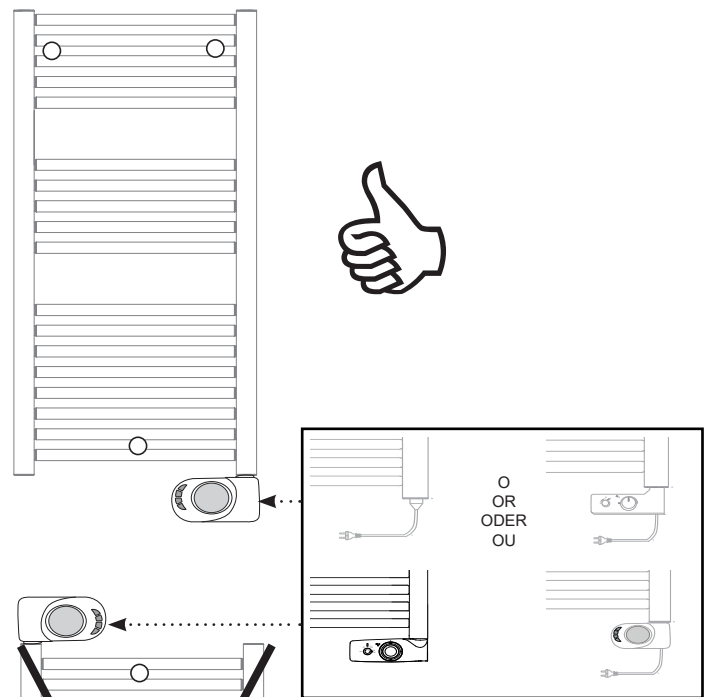
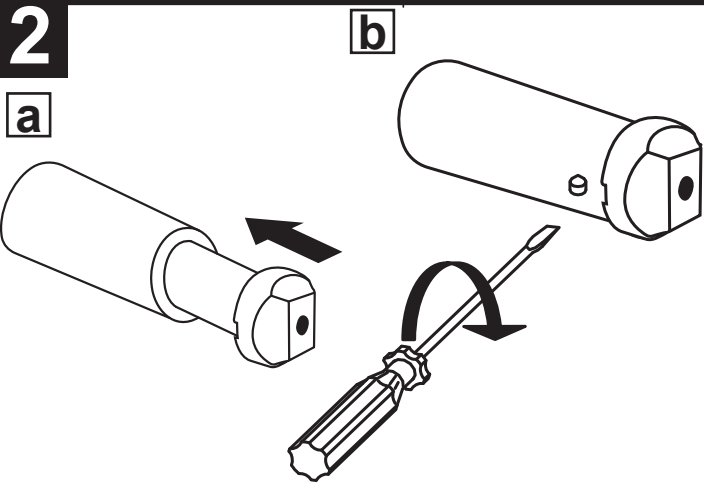
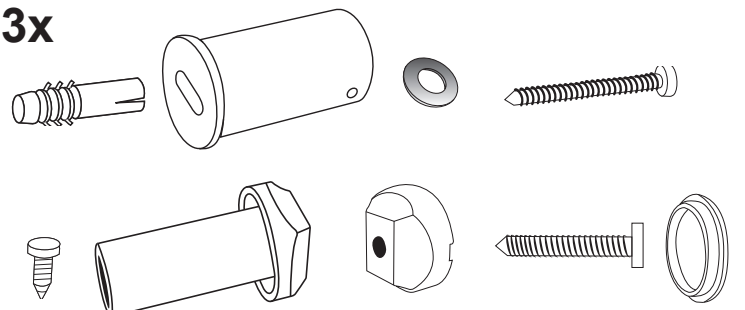
Rev 2 - 26-04-22

h	i-m
720	574
920	779
1170	984
1375	1230
1703	1558



DRITTO - STRAIGHT - GERADE - DROITE

3x





AVVERTENZE E SUGGERIMENTI WARNINGS HINWEISE UND EMPFEHLUNGEN MISES EN GARDE ET SUGGESTIONS

Prima di procedere con l'installazione del prodotto si prega di leggere attentamente le seguenti indicazioni:

1. L'installazione deve essere effettuata solamente da personale specializzato;
2. I tasselli a muro standard inseriti nel kit di mensole, sono adatti per pareti di laterizi o calcestruzzo;
3. Rimuovere con cura l'imballo, per evitare di danneggiare il prodotto;
4. E' vietato mettere in funzione il radiatore senza aver prima rimosso tutto l'imballo;
5. Per prevenire il deterioramento della finitura, la superficie esterna del radiatore non deve essere a contatto con contenitori umidificatori in materiale poroso o corrosivo;
6. La pulizia del radiatore deve essere effettuata solamente con un panno morbido umidificato. Devono essere tassativamente evitati detergenti corrosivi, abrasivi o a base di sostanze acide;
7. L'azienda non risponde per eventuali danni arrecati a persone o cose, dovuti alla mancata osservanza di quanto sopra;
8. Non utilizzare il radiatore per scopi diversi dal riscaldamento;
9. **LA RIMOZIONE DELL'ETICHETTA CE DAL PRODOTTO, FA DECADERE LA GARANZIA**

Before installing the product, please read carefully the following warnings:

1. The installation should be done by qualified technicians only;
2. Brackets kit includes standard wall-plugs suitable for solid walls. Please use suitable fixings for non-solid walls;
3. To prevent damages to the product, carefully remove all packaging;
4. IMPORTANT do not heat-up the radiator without first removing the all packaging;
5. To prevent the deterioration of the finish, do not hang humidifiers made of porous or corrosive materials on the radiator;
6. Clean the radiator with a damp soft cloth. Never use corrosive or abrasive cleaning agents based on acidic substances;
7. The company is not liable for any damage to persons or properties, due to non-compliance of the above;
8. Do not use the radiator for purposes other than heating;
9. **REMOVAL OF THE CE LABEL FROM THE PRODUCT INVALIDATES THE WARRANTY**

Lesen Sie bitte sorgfältig VOR den Produkt-Installationsvorgang folgende Hinweise:

1. Die Installation v. Produkt sollte nur von Fachpersonal durchgeführt werden;
2. Die mitgelieferte Befestigungsdübeln sind f. Mauerwerk u. Betonwand geeignet (also nicht f. Rigips-Wand)
3. HzK. Verpackung sorgfältig entfernen um Oberflächenbeschädigungen am HzK. zu vermeiden
4. Es ist untersagt den HzK. in Betrieb zu setzen solange auch die HzK.-Kunststoffverpackungshülle nicht komplett entfernt worden ist;
5. Um die HzK.-Außenoberfläche zu schonen, bitte die Verwendung v. porösen bzw. potentiell korrodierenden HzK.-Befeuchtungsbehältern vermeiden;
6. Putzpflege: ausschließlich weiche u. etwas getränkte Tücher hierfür verwenden. Putzmitteln welche Scheuermitteln od. Säuren enthalten sind aufgrund v. Lack- u. Material-Korrosionsrisiko streng untersagt !
7. bei Missachtung der o.a. Hinweise, kann der Hersteller im Fall v. Personen- u. Sach-Schaden nicht haftend gemacht werden.
8. Verwenden Sie den Heizkörper nicht für andere Zwecke als zum heizen;
9. **DAS ENTFERNEN DES CE-ETIKETTS VOM PRODUKT FÜHRT ZUM ERLÖSCHEN DER GARANTIE**

Avant d'installer le produit il est nécessaire de lire attentivement les indications suivantes :

1. L'installation doit être effectuée uniquement par du personnel spécialisé;
2. Les chevilles pour mur standard incluses dans le kit des attaches, conviennent pour des murs en briques ou en béton;
3. Enlever l'emballage en faisant attention de ne pas endommager le produit;
4. Il est interdit de mettre le radiateur en marche avant de l'avoir entièrement sorti de son emballage;
5. Pour éviter la détérioration des finitions, la surface externe du radiateur ne doit pas se trouver en contact avec des systèmes d'humidification en matériau poreux ou corrosif;
6. Le radiateur doit être nettoyé en utilisant exclusivement un chiffon souple humide. Il est impératif d'éviter d'utiliser des produits détergents corrosifs, abrasifs ou qui contiennent des substances acides;
7. Le fabricant n'est pas responsable d'éventuels dommages causés à des personnes ou à des choses, dus au non-respect des indications ci-dessus;
8. Ne pas utiliser le radiateur à des fins autres que le chauffage;
9. **L'ENLÈVEMENT DE L'ÉTIQUETTE "CE" DE L'APPAREIL ANNULE LA GARANTIE**