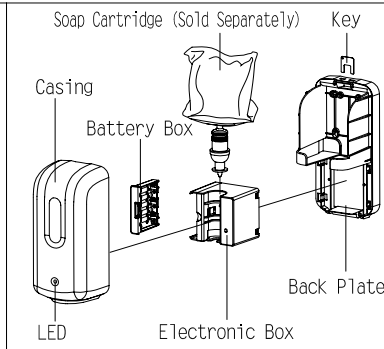


BC 932 Automatic Foam Soap Dispenser Installation Instructions

1. Specifications:

Dimensions (WxHxD)	126 x 270 x 115 mm (4.96" x 10.63" x 4.53")
Cartridge Capacity	1000 ml
Battery	(AA 1.5V X 6) Alkaline
Detection Range	Automatic Adjustment
Room Temperature	4°C~40°C
Sensing Delay Time	0.5 ~ 1 Sec.
Dispensed Soap Quantity	~0.4ml
Applicable Soap Type	Foam Formulation



2. Item List:

Illustration	Description	Q'ty	Illustration	Description	Q'ty
1	Manual	1 Pc	5	Mounting Screw	4 Pcs
2	Installation Template	1 Pc	6	Key	1 Pc
3	Soap Dispenser	1 Pc	7	Alk. Batt. AA 1.5V (Sold Separately)	6 Pcs
4	Plastic Anchor	4 Pcs			

3. Installation Steps:

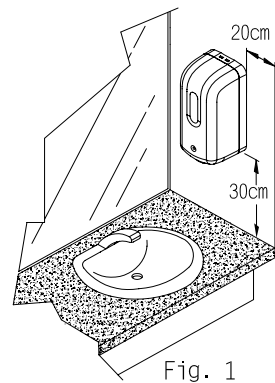


Fig. 1

4. Before Installation:

1. Check if surface of wall is smooth and clean.
2. Note the distance between two dispensers from wall must be >30cm. (As shown in Fig. 1&2)

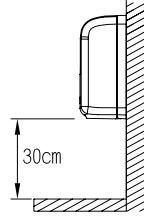


Fig. 2

5. Installation Steps:

1. Moisten & tape the installation template at appropriate location on the wall.
2. Drill two holes dia. Ø6mm, peel off template & insert plastic. (Fig. 3)

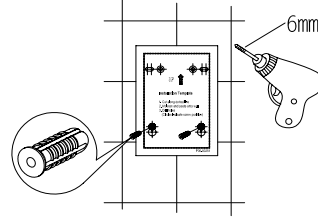


Fig. 3

3. USE key to unlock and remove the soap dispenser casing. (Fig. 4) Insert two screws into anchors, and fully screw in. (Fig. 5)

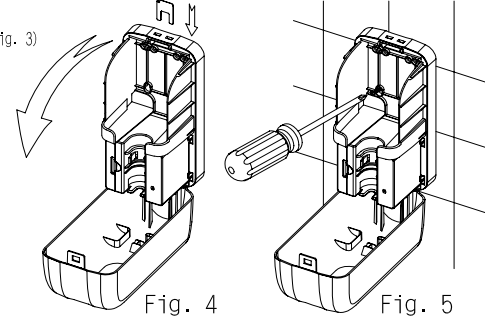


Fig. 4

Fig. 5

4. Remove the battery cartridge, load 6 pcs Alkaline AA 1.5V batteries into it, put it back into the unit and close cover. LED should flash 4 times to indicate proper operation. (Fig. 6&7) (If LED does not stop flashing, this indicates an obstacle in the sensing range and needs to be removed)

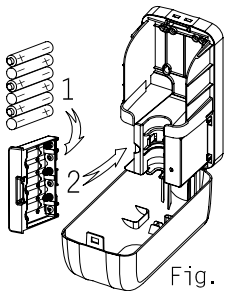


Fig. 6

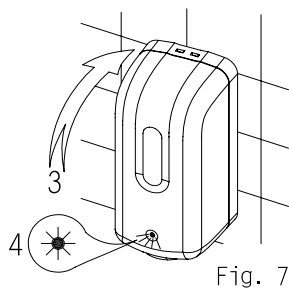


Fig. 7

5. Before installing the soap cartridge, the dispenser needs to cycle through 1-2 times, 1-2 times, to make sure the tip mechanical carriage is properly positioned at the bottom. (Fig. 8&9)

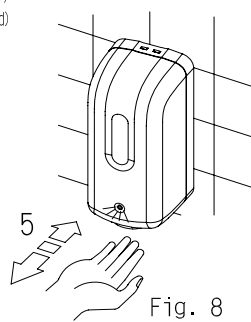


Fig. 8

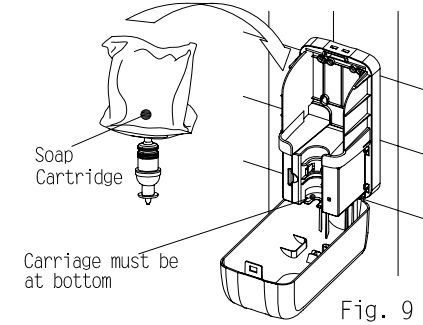


Fig. 9

6. Operation Instructions:

1. Put palm of hand below the dispenser. The sensor will activate and the motor will run. If you need more soap, repeat the movement a few times (Fig. 10)
2. When the soap cartridge is depleted, remove it directly & replace with a new one. (Fig. 9)
3. When batteries are low, LED will stay constantly lit. The dispenser cannot operate at this time. Replace 6 pcs. Alkaline AA batteries. Do not mix fresh batteries with old ones. (Fig. 6)

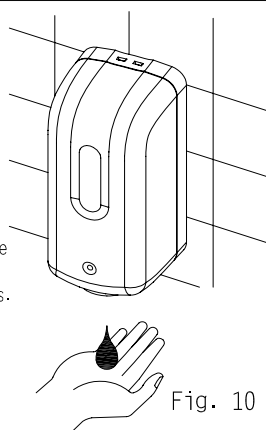
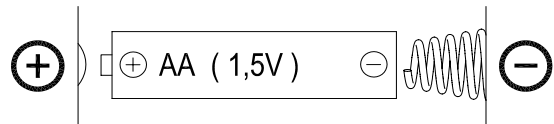


Fig. 10

7. Maintenance Notes:

1. Ensure no bright light source is aimed or reflected at the sensor from below.
2. Use a soft, moistened cloth to clean the surface. Avoid flushing under running water, which will cause the electronics to malfunction.
3. The soap cartridge carriage must be at the bottom, the cartridge's tip cannot be properly installed if it is stuck at the top. When this happens, remove the soap cartridge, close the cover, trigger the sensor 1-2 times to allow the carriage to return to its proper bottom position, then reinstall again.



Caution: Reverse battery polarities will lead to permanent damage to the dispenser.

8. Troubleshooting:

Problem	Solution
LED does not light up	- Check batteries, ensure they are new and properly inserted. - Check sensor cover for stain. Clean unit properly.
LED flashes when unit is not being used	- Sensor is activated constantly. Remove the object below the sensor. - The dispenser is out of order, contact distributor for assistance.
When carriage is stuck to the top, soap cartridge cannot be installed	- Close cover (cartridge removed), trigger sensors 1-2 times to allow carriage to return to bottom, reinstall cartridge. (Fig. 8&9)

For all other inquiries call your dealer for technical assistance.

Dolphin

2 Haywood Way ♦ Hastings ♦ TN35 4PL

Tel: 01424 202224 ♦ www.dolphindispensers.co.uk

