

Angled Thermostatic Radiator Valve Installation Instructions

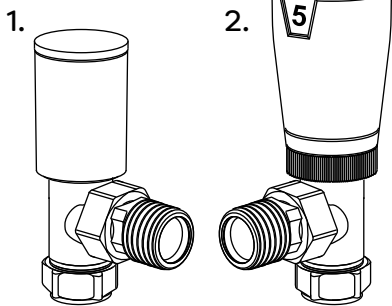
Before you Begin:

- This instruction shows how to fit the radiator valves. Ensure the valves are the correct size in conjunction with your chosen radiator.
- **We recommend that this product is installed by a qualified tradesperson**, Victorian Plumbing Ltd. accept no liability for products incorrectly installed, or where the correct testing procedures have not been adhered to, thus resulting in the escape of water and consequential damage.
- Ensure the incoming mains water supply is switched off prior to commencing the installation.
- Observe all local plumbing and building codes & regulations.
- Unpack the product then read these instructions before proceeding. Inspect the product for damage. If any damage is found, contact our Customer Relations team.

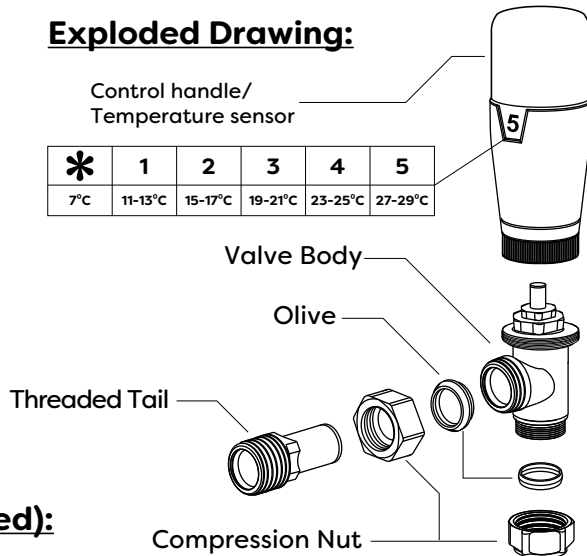
1 *Make sure that all components are present prior to installation.*

Fitting List:

1. Lock Shield Valve
2. Thermostatic Valve



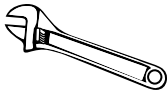
Exploded Drawing:



Tools Required (Not Included):



PTFE tape



Adjustable Wrench

When installing the thermostatic radiator valve. It is recommended to fit the valve on the side of the radiator to which there is air change (e.g. door entrance).

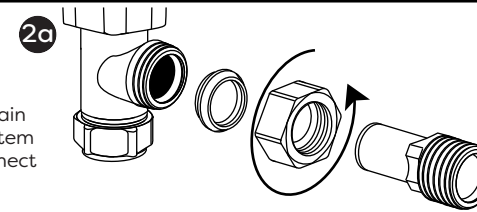
Note: Diagrams are for illustration purposes only. Your radiator valve may superficially differ from this drawing however the installation guide steps still apply.

Recycling and Disposal:

- Please recycle the packaging in accordance with your local government regulations on waste handling and follow the same advice at the end of the products life.

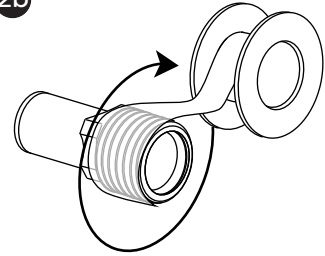
2

Before installation, drain down the heating system in preparation to connect to the radiator.



Remove the threaded tail, side compression nut and olive from the valve body. Wrap PTFE tape around the threaded tail to ensure a water tight seal.

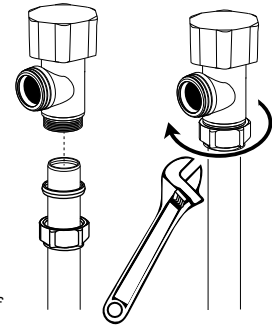
2b



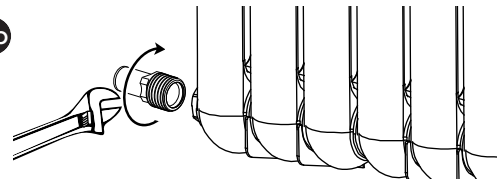
3

Unscrew the bottom compression nut and olive from the valve body. Slide the bottom compression nut and olive over the metal pipe, then feed the metal pipe into the valve body. Secure the piping to the valve body by screwing the bottom compression nut, tighten with an adjustable wrench.

3a

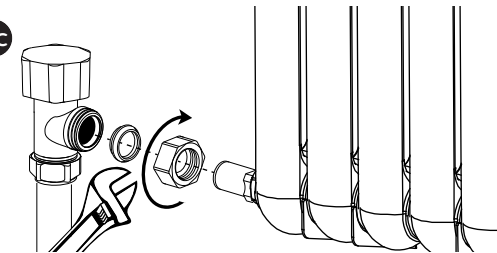


3b



Feed the threaded tail nut through the inlet of your chosen radiator. Secure the connection using an adjustable wrench.

3c



Slide the side compression nut and olive over the threaded tail pipe, then insert the valve body to the tail pipe. Secure the valve to the radiator by screwing the side compression nut to the valve, tighten with an adjustable wrench. Repeat this task on the other side.

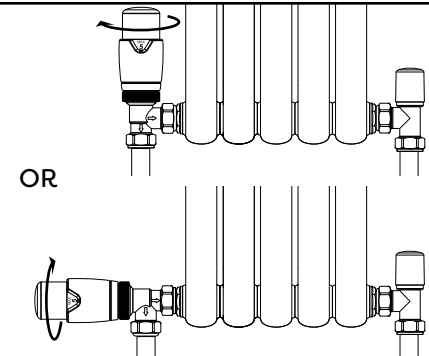
4

Unscrew the plastic cap of the thermostatic valve, then screw the control handle to the valve body. Ensure setting indicator is located in a visual position.

Turn on the central heating, open the radiator valves, bleed the radiator and bring to full heat. Once the radiator has reached maximum temperature wait another 5 minutes, check all joints and connections for any leaks.

Turn the radiator off. The device is ready to use.

Note: the thermostatic valve will open if the air temperature in the room is below the set temperature



Cleaning and Aftercare:

- **Warning:** Do not use abrasives, scourers, bleach or any type of chemical cleaning solution when cleaning the radiator valves. It is recommended to use warm soapy water and a clean damp cloth.

For more information visit: www.victorianplumbing.co.uk