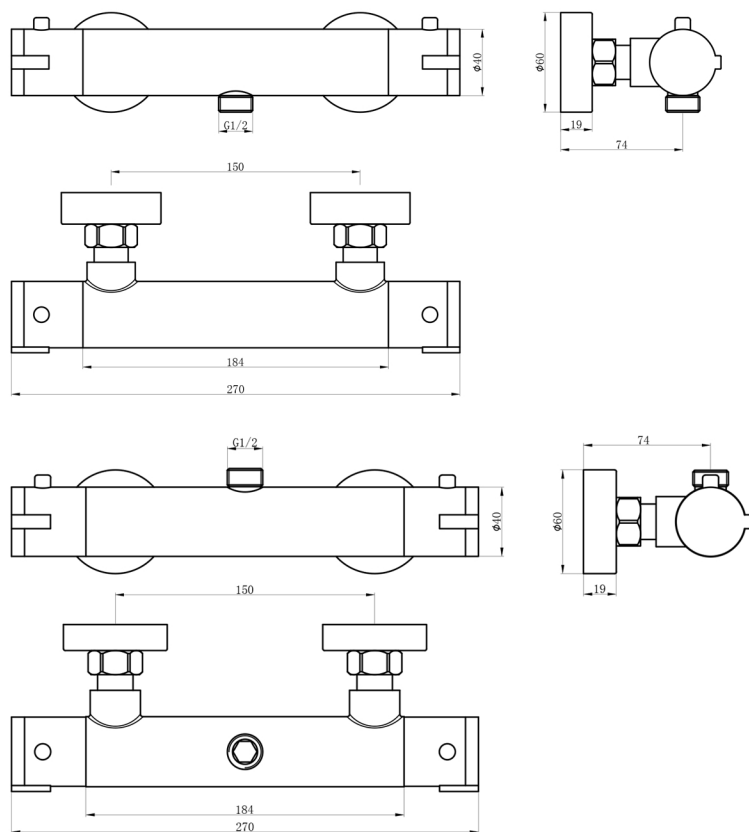


Thermostatic Bar Shower Valve

Top Outlet & Bottom Outlet



Installation & Maintenance Instructions

Please follow them carefully and leave this manual with end user

I. Operation Notice

1. The work condition for use of this product is cold water 4-29°C, hot water 55-85°C and water pressure 0.5 bar - 5 bar. To avoid the differential pressure between hot water and cold water, the thermostatic cartridge is preferably under the condition of water pressure 3 bar, hot water 65°C and cold water 15°C.
2. Make sure the shower valve is off when no water comes out of it (especially when nobody resides in the house or during the period of decoration or the absence of water).
3. When the room temperature drops below 0°C, take necessary measures (such measure as keeping shower valve warm and closing windows) to prevent the shower valve from being frozen or even broken (especially when windows kept open for air ventilation while nobody resides in).
4. Do not disassemble the valve unless you are an expert.

II. Installation

1. This mixer will operate best if the pressure of the water (Hot & Cold) is balanced.
2. It is suitable for: unvented systems, combination boilers, pumped&mega-flow system and vented systems (If pressure is equal).
3. Pipes must be flushed throughout ,failure to do so will impair the flow of water.
4. Ensure that pipe-works are as parallel as possible with 150mm centre to centre distance.
5. When connecting the water supply make sure that the pipes are connected in accordance with the colour coding: Hot & Cold water must be fitted in line with the red dot at the left of the mixer.
6. It is required that isolation valves are fitted as closed as possible to the water inlet supply of the thermostatic mixing valve.

III. Maintenance

If the water flow is less than normal and temperature control is imprecise after a period of usage. It is often due to the poor water which blocks the small filter net. The cleaning method: At first, turn off the main valve. Unscrew securing nut with an allen key. Making sure not to damage the o-rings. Clean/replace check valve and filters and refit. Dirt in the water will slow down or stop the flow of water .

IV. Aftercare

Always clean the surface of shower valve to keep it bright. Attention: please do not use inappropriate tools such as sharp brushes, rough sponges, scouring pads or corrosive detergent to clean the shower valve. Please clean the shower valve by wet cloth and soapy water after each time of usage. Then rinse the soap out with clean water and dry with a soft cotton cloth.