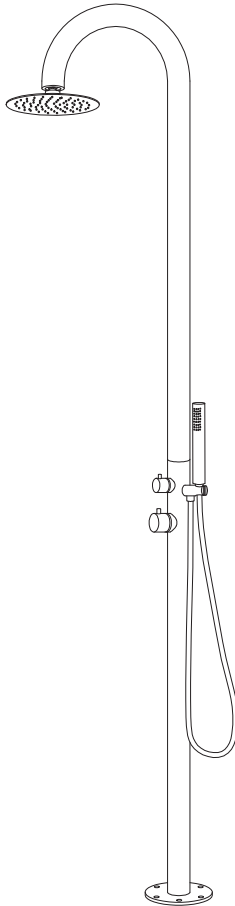




Outdoor Shower with Handset



Fitting Instructions

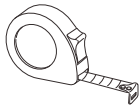
Please follow them carefully and
leave this manual with end user

Installation Guide

Before installation, please read this guide carefully.

1. **We recommend that this product is installed by a qualified tradesperson,** Victorian Plumbing Ltd. accept no liability for products incorrectly installed, or where the correct testing procedures have not been adhered to, thus resulting in the escape of water and consequential damage.
2. Observe all local plumbing and building codes & regulations.
3. **Check the chosen floor space for any pipes/cables prior to drilling.**
4. Ensure the incoming mains water supply is switched off prior to commencing the installation.
5. Carefully inspect the product for damage. If any damage is found, immediately contact our Customer Relations Team.
6. To help protect from frost, this outdoor shower should be isolated and drained down for the winter.

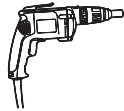
Tools required for Installation:



Tape Measure



Spirit Level



Drill



Adjustable Wrench



Pencil



Screw Driver

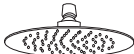


PTFE Tape

Fitting list:



Base Plate (x1)



Shower head (x1)



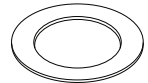
Shower Handset (x1)



Shower Hose (x1)



Grub screw (x1)



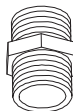
O-rings (x2)



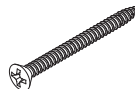
Allen Key (x1)



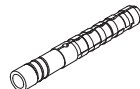
Washers (x2)



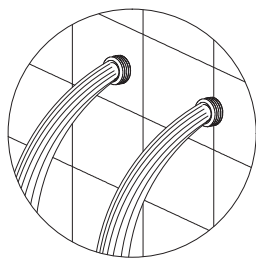
Brass Connector (x1)



Long Screws (x4)



Rawl Plugs (x4)



Notice:

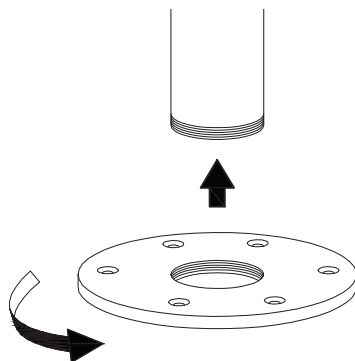
Before assembly; flush the water supply pipes thoroughly to remove any debris (allow the main stopcock open for about 3 minutes), otherwise dirt particles might affect the function of the shower panel.

Installation

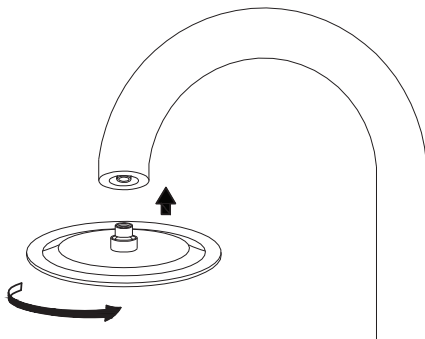
Diagrams are for illustration purposes only. Your Concealed Shower tower may superficially differ from this drawing however the installation guide steps still apply.

Step 1:

1. Screw the bottom column to the base plate.

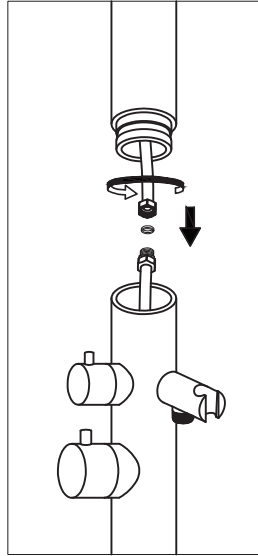
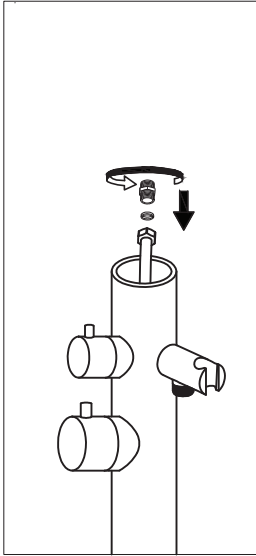


2. Screw the shower head to the curved column.

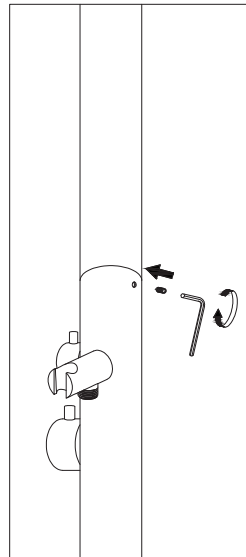
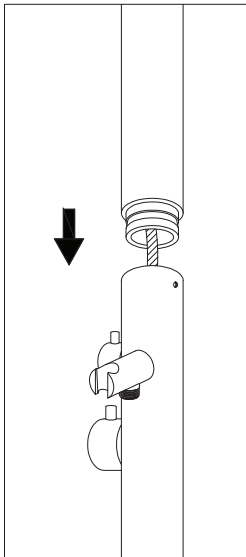


Step 2:

1. Connect the two inside flexi-pipes with the washers and brass connector provided.
Note: Ensure that the flexi-pipes are not twisted or kinked.

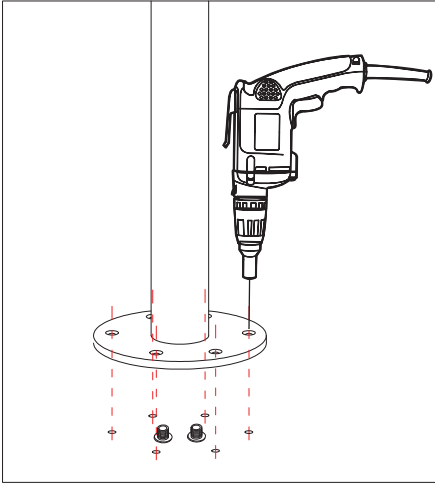


2. Connect the two columns together and secure them in place using a grub screw and Allen key provided.

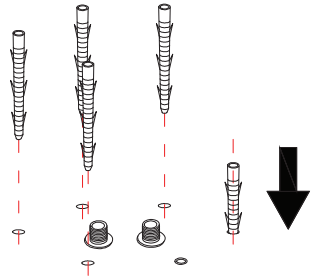


Step 3:

1. Mark the holes in the floor for the outdoor shower to be fitted to. Drill the holes in the floor using an appropriately sized drill bit and insert the rawl plugs included.

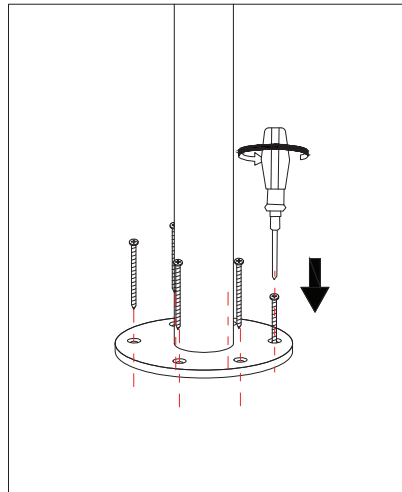
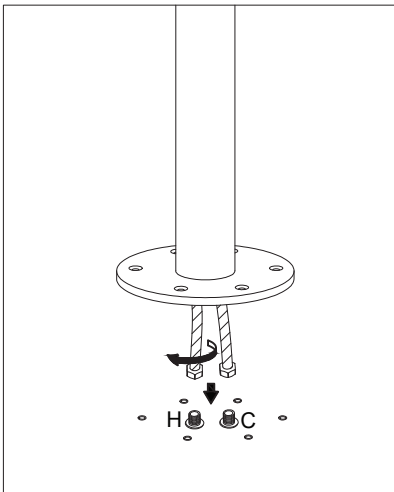


Warning:
Check the chosen floor space for any pipes/cables prior to drilling!



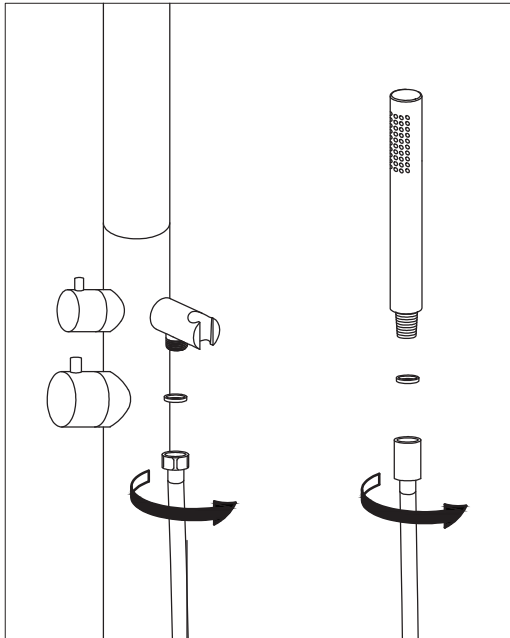
Step 4:

1. Wrap PTFE tape around the water supply outlets, connect the flexi-hoses to the water supply outlets, with the hot water supply on the left and the cold water supply on the right. Tighten with a spanner.
2. Use the supplied screws to fix the outdoor shower to the floor, tighten with a screwdriver.



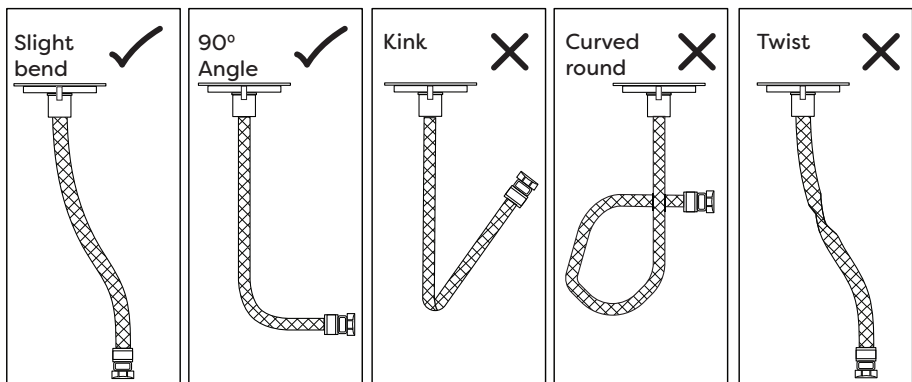
Step 5:

1. Connect the shower hose with the rubber O-rings to the hand shower and handset holder. Turn on the water supply, run the shower and check all joints for any leaks.



Flexible Connecting Pipes:

When installing the flexi-pipes to the household pipework, special care must be taken to ensure they do not bend sharply causing a kink or twist. Failure to do so may result in poor performance and damage to the flexi-pipes.



Maintenance:

If the water flow is less than normal and temperature control is imprecise after a period of usage. It is often due to the poor water which blocks the small filter net. The cleaning method: First, turn off the water supply remove the shower tower from the base plate. Then unscrew the end caps off the flexi-pipes with an adjustable wrench. Now you can clean the small filter net with brush and vinegar. After completion, rinse it and reassemble all the parts back. At last, check the water flow and temperature control.

Aftercare:

Always clean the surface of the outdoor shower to keep it bright. **Attention:** please do not use inappropriate tools such as sharp brushes, rough sponges, scouring pads or corrosive detergent to clean the outdoor shower. Please clean the outdoor shower by wet cloth and soapy water after each time of usage. Then rinse the soap out with clean water and dry with a soft cotton cloth.

Troubleshooting

FAULT	POSSIBLE CAUSE
Shower only runs hot or cold after installation	<ol style="list-style-type: none">1. Hot and cold supplies have been plumbed the wrong direction.2. Faulty thermostat.3. Insufficient water pressure.
Shower does not run hot enough	<ol style="list-style-type: none">1. Check the hot water supply temperature.2. Maximum temperature needs adjusting, see temperature adjustment.3. Blockage in the hot supply.
Hot water in cold supply or vice versa	<ol style="list-style-type: none">1. Check and clean non-return valves.2. Check Hot and Cold supplies have not been reversed during installation.
Low or no flow	<ol style="list-style-type: none">1. Possible blockage/debris in the system.2. Operating conditions are incorrect.3. Valve shut off has been activated due to a pressure drop in either the cold or hot supplies.
Leaking when in the off position	<ol style="list-style-type: none">1. Debris in the flow control cartridge.2. Faulty control cartridge.
Fluctuating flow	<ol style="list-style-type: none">1. Dynamic inlet pressure are not balanced.

www.victorianplumbing.co.uk