

STICK 'N' LOCK PREMIUM SHOWER ROD



CONTACT DETAILS

UK: Croydex, Central Way, Andover, Hampshire, SP10 5AW, UK

EU: MIL, Unit 8 Purcellsinch Ind Est, Dublin Road, Kilkenny, R95 HP71, Ireland

Tel: +44 (0)1264 365 881

Email: info@croydex.co.uk

Web: www.croydex.co.uk

ALL ILLUSTRATIONS OF THE PRODUCT ARE FOR REFERENCE ONLY. COMPONENTS SUPPLIED WITH INDIVIDUAL PRODUCTS MAY DIFFER

ALL PRODUCT DIMENSIONS DETAILED IN THIS INSTALLATION AND MAINTENANCE MANUAL ARE APPROXIMATE

SECTION 1 - INTRODUCTION

- Please follow the instructions provided to ensure that your product is assembled and fitted safely, and retains it's high quality finish.
- Before attempting to fit or use this product, ensure that it can be properly installed in the desired location.

PLEASE RETAIN THIS MANUAL FOR FUTURE REFERENCE



ALWAYS CHECK THE PACKAGING FOR FIXINGS AND PARTS BEFORE THROWING AWAY AND RECYCLING.

ENSURE YOU HAVE ALL THE FIXINGS AND PARTS BEFORE ATTEMPTING TO ASSEMBLE OR FIT THIS PRODUCT.

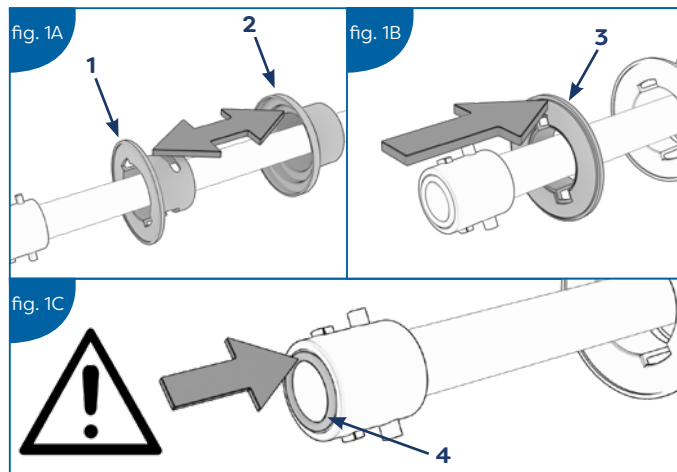
SAFETY & PRODUCT CARE

- 1. YOU MUST** clean the wall surfaces before installation. Ensure surfaces are clean, dry and free of dust, grease or any other contaminants.
- 2. YOU MUST** extend the rod against the walls fully before locking in place.
- 3. YOU MUST** ensure the rod is fully locked before applying a load to it.
4. Suitable for use with two heavy-duty shower curtains. Maximum load evenly distributed.
- 5. YOU MUST** ensure that you are happy with the position of the rod before sticking it in place.
- 6. DO NOT** apply any weight to the rod until **24 HOURS** after installation to allow the adhesive to fully cure.
- 7. DO NOT** use this product as a grab bar.
- 8. YOU SHOULD** clean this product regularly with a soft damp cloth but do not use abrasive or chemical cleaners as these may damage the product.
- 9. DO NOT** exceed the maximum weight limit of **15Kg**.
- 10. DO NOT** use tile cleaning chemicals on or around this product as they may effect adhesion.
- 11. DO NOT** attempt to install this product onto unfinished surfaces such as brick, block-work, wood, emulsion paint, loose, flaky surfaces or surfaces contaminated with grease, wax or dust. Avoid joints or grout lines in wall surfaces.
- 12. DO NOT** use this product on decorative wall paper finishes.
- 13.** The self-adhesive wall bracket can **ONLY BE USED ONCE, IT CANNOT BE REAPPLIED**. Spare brackets can be purchased from www.croydex.com or by contacting our customer services department.

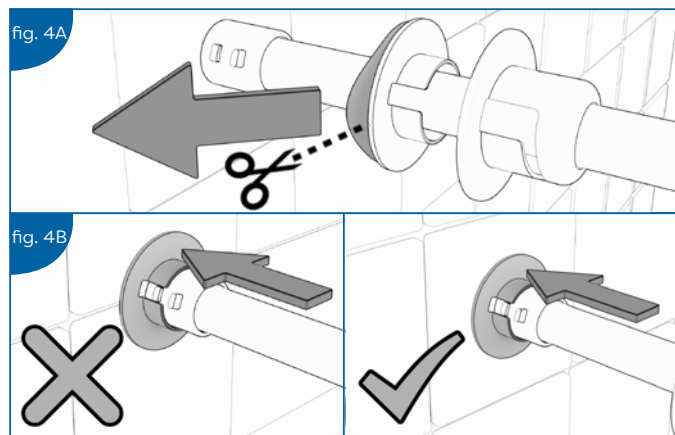


SECTION 2 - ASSEMBLY

1. First, carefully cut the O-rings that are securing the end caps together. Separate the pressure plate (1) from the decorative cap (2). Then slide one wall bracket (3) over each end of the rod with the red backing tape facing the end of the rod. Then position both of the O-rings in the recesses of the end caps (4). (See Fig. 1A, 1B & 1C)

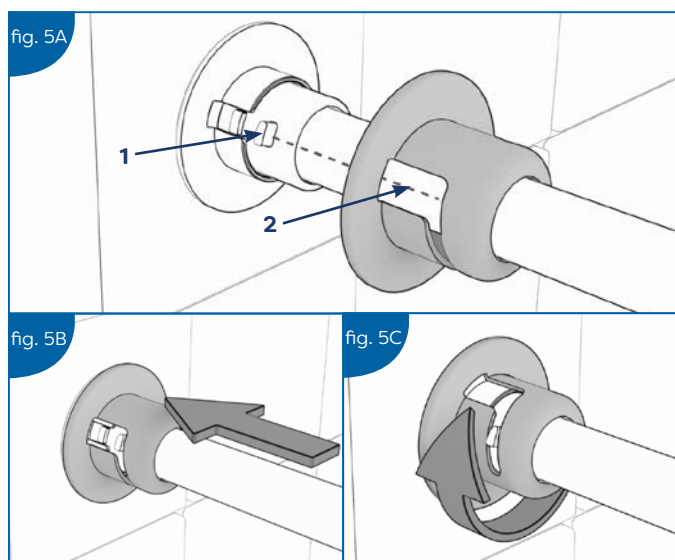


2. PEEL OFF the red backing from both brackets, cut the backing tape and remove without disturbing the rod. Press the brackets firmly to the wall at both ends. Avoid grout lines. (See Fig. 4A & 4B)



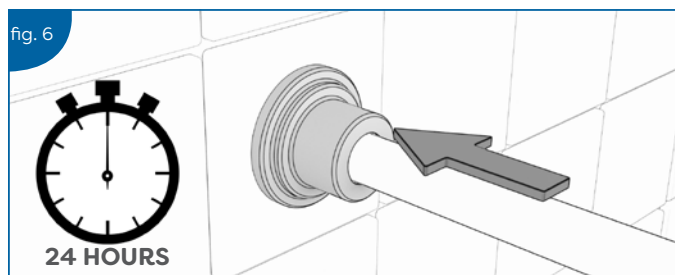
3. Ensure the pins on the end cap (1) align with the slots (2) in the pressure plate, locate the pressure plates over the self-adhesive wall brackets and rotate to apply force. Repeat this for both ends of the shower rod.

DO NOT OVER TIGHTEN!
(See Fig. 5A, 5B & 5C)



4. Slide the decorative caps over both pressure plates and snap into place. (See Fig. 6)

IMPORTANT! YOU MUST WAIT 24 HOURS BEFORE APPLYING ANY WEIGHT TO THE ROD! This will allow the adhesive tape to cure and reach it's full bond strength.

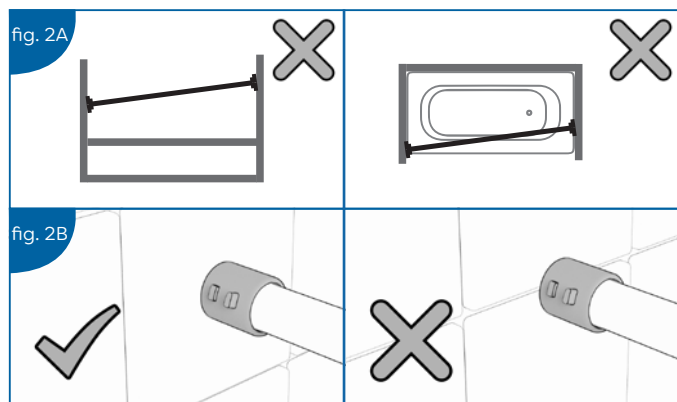


5. When installing your shower curtain rings. Install them over the smaller section of the tension rod, this will be easier than installing over the larger diameter section and will reduce the risk of damaging the surface finish of the rod. **Your shower curtain & rod are now ready for use!**

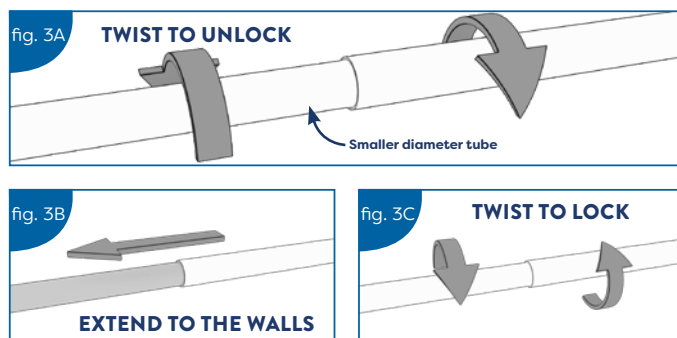
SECTION 3 - INSTALLATION

IMPORTANT INFORMATION!

The rod **must** be installed straight and level (See Fig. 2A). The rod **must not** be installed across grout lines (See Fig. 2B). Wall surfaces **must** meet the criteria outlined in 'Safety & Product Care' notes 1, 10 & 11. (See front page).



1. Tension fit the rod into place. (See Fig. 3A, 3B & 3C)



WARNING!
YOU MUST TIGHTEN THE ROD UNTIL IT CANNOT BE TIGHTENED ANY FURTHER. Failure to do this will result in the rod not being secured fully.