

Luxury Round Shower Curtain Rod

Thank you for purchasing this Croydex product. Please follow the fixing and care instructions to ensure that your curtain rod is fitted safely and it retains its high quality finish. Please retain this leaflet for future reference.

Tools Required

Drill; 6mm masonry drill bit; 6mm ceramic drill bit (optional); Screwdriver; Pencil; Spirit level; Small hack saw; Hex head keys (included in fixing pack)

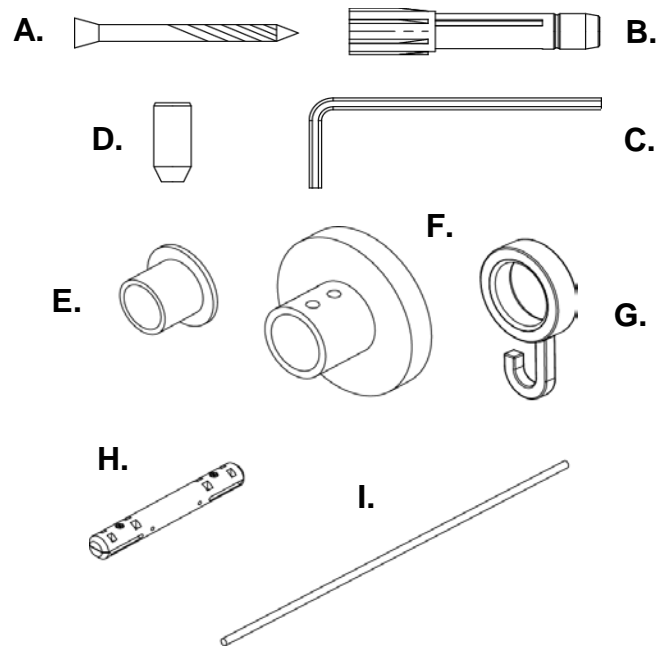
Keep DIY tools out of reach of children

Fixing Pack

- A. Fixing screw x 2
- B. Wall plug x 2
- C. Hex head key x 2 (large & small)
- D. Spare grub screw x 2

Pack Contents

- E. Wall bracket x 2
- F. Wall bracket cover x 2
- G. Hooks x 12
- H. Straight Joint x 1
- I. 1.25m Rod x 2



Home Safety Advice

Before drilling, check for hidden cables or pipes. The use of a residual current device (RCD) is recommended when working with power tools.

If the product is to be fitted on a ceramic tiled wall, a ceramic drill bit should be used. Always ensure that the drill hole passes through the central tiled area rather than the grouted area. To prevent damage to the tile, mask the area around the hole with tape before drilling.

Do not use this product as a grab bar.

We recommend that two people fit this product to ensure that it is fitted safely.

The rod has been packed with the wall brackets and covers already attached to each end of the rod.

Product Care

To retain the best quality finish, clean product regularly with a soft cloth and mild detergents. Do not use abrasive or chemical cleaners as these will damage the product.

Fitting Instructions

1. The rod is supplied as two 1.25m lengths which can be joined together using the straight joint provided. Firstly lay the two rods down on a flat level surface. One end of each of the rods has a hole pierced into it approximately 50mm from the end. Insert the straight joint into one of these ends so that the grub screw is central with the hole in the rod. Using the larger of the two hex head keys, provided, rotate the grub screw clockwise until the straight joint is clamped tightly in position (see Fig. 1).

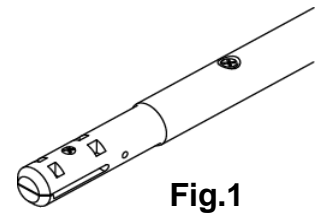


Fig.1

2. Assemble the second rod onto the straight joint making sure that the tube ends are pushed tightly together, align the hole with the grub screw and again clamp tightly in position (see Fig. 2).

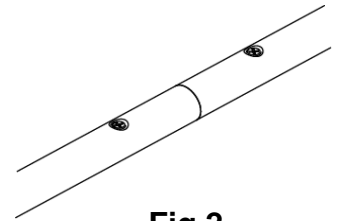


Fig.2

3. Select desired position of rod and mark centres of the mounting holes using the wall brackets as a template (see Fig. 3)

Make sure that the wall brackets are level with each other before drilling.

4. Using a 6mm masonry drill, drill the holes in the marked positions to a depth of 40mm. If drilling through tiles, please pre-drill using a ceramic drill bit.

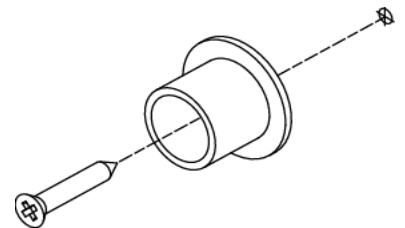


Fig.3

5. Insert the wall plugs to the surface of the wall. If fitting to a tiled surface, the wall plug should be inserted below the surface of the tile to avoid cracking.

6. Accurately measure the distance between the fixing surfaces. Carefully cut one end of the assembled rod 42 mm shorter than the measured distance between the fixing surfaces. See fig 4. Ensure the end of the rod is cut square and the cut edge is de-burred.

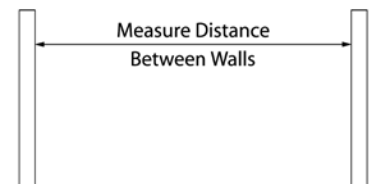


Fig.4

7. Position the hooks and wall bracket covers onto the rod making sure they are in the correct orientation. Locate the rod between the wall brackets and slide each wall bracket cover onto the wall brackets. Secure each wall bracket cover in position by tightening the grub screw closest to the wall (a). Once these are secured rotate the rod so that the pierced holes are at the top and then tighten the second grub screw (b) in each wall bracket cover (see Fig. 5).

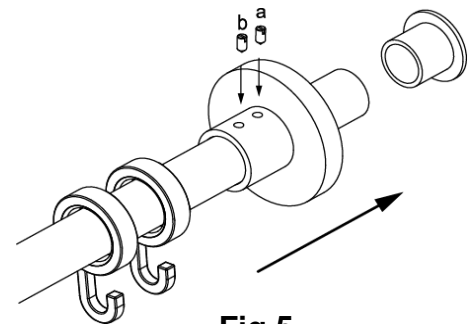


Fig.5

8. Check that the wall brackets are level by placing a spirit level onto the rod.

9. The rod is now ready to hang a curtain.

10. If required lightly apply silicone polish to the top of the rail to reduce hook friction.