

Double Door Stainless Steel Illuminated Cabinet Large

Thank you for purchasing this Double Door Stainless Steel Illuminated Cabinet Large. Please read the instructions and warnings carefully before use to ensure safe and satisfactory operation of this product.

Instructions for use

Warnings

IMPORTANT INSTALLATION INFORMATION

THIS IS A CLASS 1 APPLIANCE AND MUST BE CONNECTED TO EARTH



INPUT: 220-240V ac 5A IP RATING: IP44



HAZARDOUS VOLTAGES INSIDE – DO NOT REMOVE ANY COVERS



LAMP TYPE 12V G4 HALOGEN 10W. MAXIMUM TOTAL PER CABINET = 40W

In accordance with Statutory Instrument 2010 No. 2214 - The Building Regulations 2010 the installation of this product must be either:

- carried out by an electrician who is a member of a competent person self-certification scheme who will certify the work complies with the Building Regulations and you do not need to notify your local authority, or,
- carried out after prior notification to the Local Authority Building Control Department, which has responsibility for ensuring that the work is inspected and tested.

In accordance with the Building Regulations 2010 Approved Document P, connection to the fixed wiring of the mains electrical supply must comply with the current revision of the IET Wiring Regulations BS 7671.

IMPORTANT WARRANTY INFORMATION

In accordance with Statutory Instrument 2010 No. 2214 - The Building Regulations 2010 the installer must give the occupier of the premises in which this product has been installed a certificate to confirm that the requirements of regulations 4 and 7 have been satisfied within 30 days, or the installation of this product must be inspected and tested by the Local Authority Building Control Department who will issue a compliance certificate.

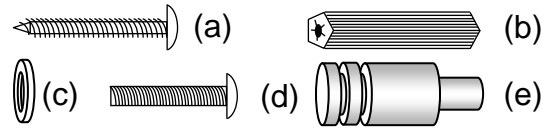
A copy of this certificate may be required for certain warranty claims. Failure to provide a copy of the certificate may invalidate the warranty.

4. Ensure that the electrical mains supply to which the cabinet is to be connected is turned off. Connect the flexible mains supply cord on the top of the cabinet to the electrical mains supply in accordance with the current revision of the IET Wiring Regulations BS 7671. Ensure that the Live (Brown) conductor is connected to the Live on the electrical mains supply, the Neutral (Blue) conductor is connected to the Neutral on the electrical mains supply and the Earth (Yellow/Green) conductor is connected to the Earth/Ground on the electrical mains supply.

Note: Connection of the product to the electrical mains supply must only be carried out by an electrician who is a member of a competent person self-certification scheme or must be checked by your Local Authority Building Control Department.

Fixing Pack Contents

- (a) Mounting Screws x 4,
- (b) Wall Plugs x 4
- (c) Plastic Washers x 2
- (d) Door Knob Screws x 2
- (e) Door Knobs x 2



Tools Required

Drill; 6.5mm masonry drill bit (6.5mm ceramic drill bit optional); Cross-point screwdriver; Pencil; Spirit level

KEEP DIY TOOLS OUT OF THE REACH OF CHILDREN

Home Safety Advice

Always take care when using a drill, particularly in the bathroom.

Always check for hidden cables and pipework before drilling and take extreme care if there is any water in the working area. It is advisable to use a residual current circuit breaker (RCCB). Always wear suitable eye protection when drilling.

If the product is to be fitted on a ceramic tiled wall, a ceramic drill bit should be used. Always ensure that the drill hole passes through the central tiled area rather than through the grouted area. To prevent damage to the tile, mask the area around the hole with tape before drilling. It is recommended that two people fit this product to ensure that it is fitted safely.

Do not strike the product with hard or sharp objects and do not place hot objects against the glass surfaces.

Do not overload the cabinet. Maximum safe working load is 10kg evenly distributed if mounted on to a solid wall. If mounted on to a cavity wall reduce the load to 5kg evenly distributed.

Fixing Instructions

Positioning the Cabinet

1. This cabinet is rated IP44 and must only be installed in the Outside Zones, as shown below in Fig 1.

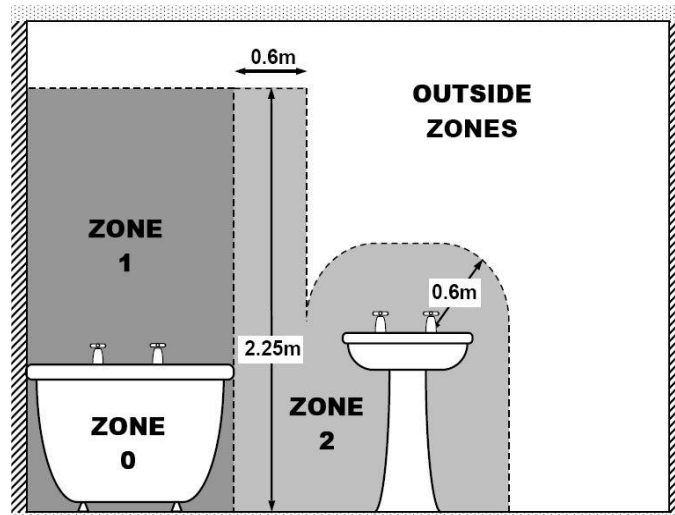


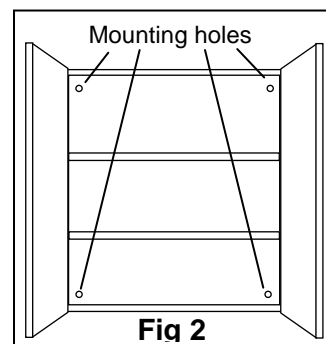
Fig 1

Hanging the Cabinet

Note: The wall plugs supplied are for use on solid walls only. For cavity walls or plasterboard use specialist fixings that are available from all good DIY stores.

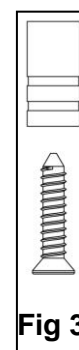
Fixing Instructions

1. Hold the cabinet against the wall in its desired location. Check that the cabinet is straight and level using a spirit level. Open the doors and mark the wall through the holes in the back of the cabinet with a pencil (see Fig 2).
2. Using a 6.5mm masonry drill, drill the holes in the marked positions to a depth of 26mm and insert the wall plugs into the holes in the wall.
3. Hold the cabinet against the wall and align the holes in the back of the cabinet with the wall plugs. Insert the mounting screws through the holes in the back of the cabinet and screw into the wall plugs.



4. **Ensure that the domestic electrical mains supply to which the cabinet is to be connected is turned off.** Connect the flexible mains supply cable on the back of the cabinet to the domestic electrical mains supply ensuring that the Live (Brown) conductor is connected to the Live on the domestic electrical mains supply, the Neutral (Blue) conductor is connected to the Neutral on the domestic electrical mains supply and the Earth (Yellow/Green) conductor is connected to the Earth/Ground on the domestic electrical mains supply. **Note: connection of the product to the domestic electrical mains supply must only be carried out by a Building Regulations Part P certified electrician or must be checked by your Local Authority Building Control Department.**

5. To attach the handles to the bottom edges of the doors insert the screw into the bottom of the handle and screw into the pre-drilled hole of the door frame - **DO NOT** over-tighten the screws (see fig 3).



Operating Instructions

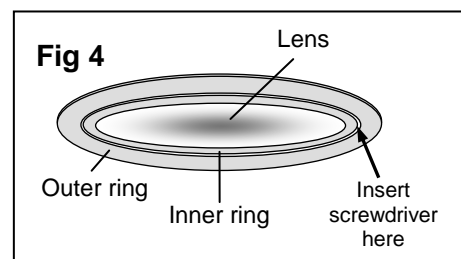
Cabinet Lights

To turn the cabinet lights on or off simply use the switch located near the top edge of the right hand side of the cabinet.

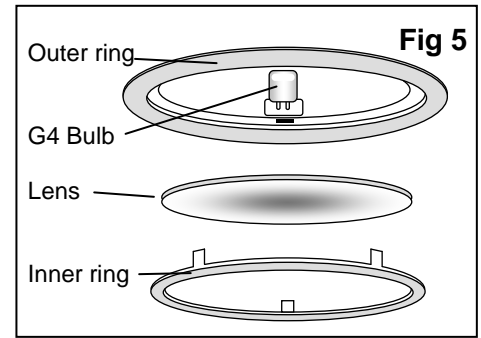
Bulb Replacement

CAUTION: The the bulb may become extremely hot. Allow at least 30 minutes after bulb failure before attempting to replace the bulb.

1. Carefully remove the inner ring and lens from the lampholder using a small flat screwdriver inserted between the outer and inner rings (see Fig 4).
2. Carefully remove the failed G4 halogen bulb from the lampholder (see Fig 4) then insert the pins on the replacement G4 halogen bulb into the holes in the lampholder (see Fig 5). **Avoid touching the glass surface of the bulb with bare skin as this may reduce the life of the bulb. Only use 12V 10W G4 Halogen bulbs.**



3. Carefully insert the glass lens into the inner ring and align the three clips on the inner ring with the slots in the lampholder. Gently press around the inner ring until it is flush with the outer ring (see Fig 4). **Avoid using excessive force as this may damage the lens or cause injury.**
4. **Please dispose of failed bulbs through appropriate waste collection facilities.**



Product Care

Please retain this information leaflet for future reference.

To retain the best quality finish, clean product regularly with a soft cloth and mild detergents. Do not use abrasive or chemical cleaners as these will damage the product. Spray cleaning liquids onto the cloth and not directly onto the glass.

Do not position glass components in close contact with a heat source.

Markings



This product complies with the requirements of

- European Parliament/Council Directive 73/23/EC the Low Voltage Directive amended by European Parliament/Council Directive 93/68/EEC.
- European Parliament/Council Directive 89/336/EEC on electromagnetic compatibility (EMC Directive) amended by 91/263/EEC, 92/31/EEC and 93/68/EEC.

Applicable Standards with amendments:

- BS EN 55-015
- BS EN 61547
- BS EN 61000-3-2
- BS EN 61000-3-3
- BS EN 60598-2-1
- BS EN 61558-2-5