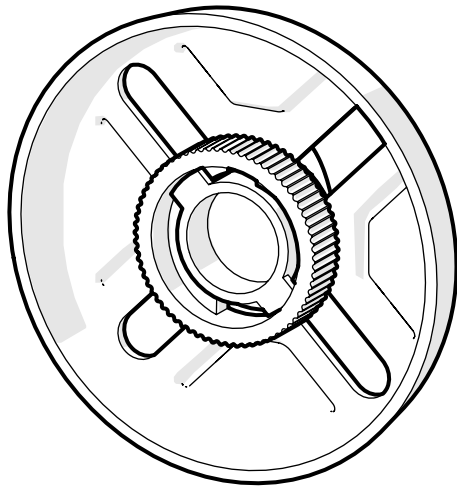


# FLEXI FIX WALL MOUNTED ACCESSORIES INSTRUCTIONS



SECTION	CONTENTS	PAGE
1	INTRODUCTION	2
2	PRE-INSTALLATION	2
3	INSTALLATION WHEN USING EXISTING HOLES	3
4	INSTALLATION WHEN DRILLING NEW HOLES	3
5	INSTALLATION USING ADHESIVE FIXING METHOD	4

**ALL ILLUSTRATIONS OF THE PRODUCT ARE FOR REFERENCE ONLY. COMPONENTS SUPPLIED WITH INDIVIDUAL PRODUCTS MAY DIFFER**

## CONTACT DETAILS

Croydex  
Central Way  
Andover  
Hampshire  
SP10 5AW  
UK

Tel: +44 (0)1264 365881  
Email: [info@croydex.co.uk](mailto:info@croydex.co.uk)

[www.croydex.com](http://www.croydex.com)

# SECTION 1 - INTRODUCTION

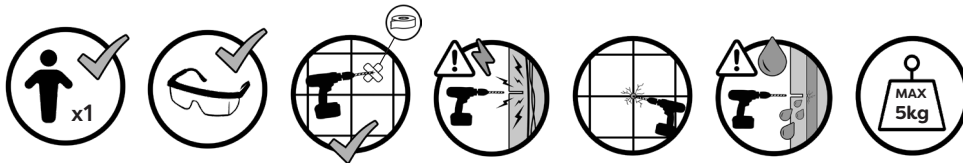
## INTRODUCTION

Thank you for purchasing this Croydex product. Please follow all installation and product care instructions to ensure that your product is installed safely and retains its high quality finish.

**PLEASE RETAIN THIS MANUAL FOR FUTURE REFERENCE**

## SAFETY & PRODUCT CARE

1. **ALWAYS** take care when using power tools, particularly if there is any water in the working area.
2. **ALWAYS** wear eye protection when using power tools.
3. **ALWAYS** check for pipes and cables before drilling into walls.
4. **ALWAYS** use a ceramic drill bit when drilling into tiled surfaces.
5. **ALWAYS** use a drill bit that is suitable for the surface that is being drilled.
6. The wall plugs supplied are for use on solid walls only. For cavity walls or plasterboard **ALWAYS** use specialist fixings that are suitable for the type of wall construction.
7. **DO NOT** use abrasive or chemical cleaners as these may damage the product.



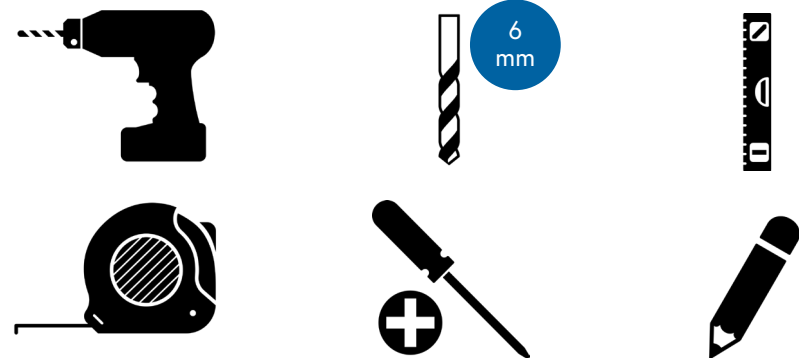
# SECTION 2 - PRE-INSTALLATION

## PRODUCT FITTING

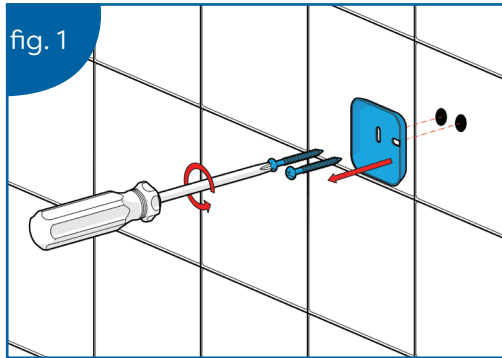
### IMPORTANT!

Before attempting to install this product, ensure that it fits and will function in the desired location.

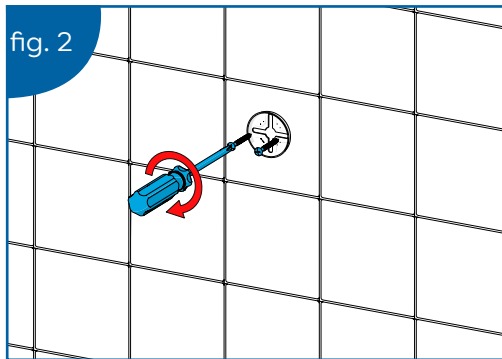
## TOOLS REQUIRED



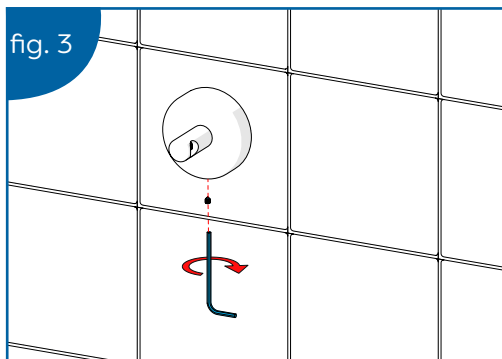
## SECTION 3 - INSTALLATION WHEN USING EXISTING HOLES



1. Remove the old wall bracket, taking care not to damage existing fittings. (See Fig. 1)

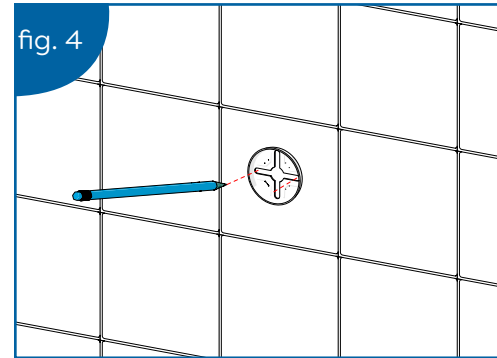


2. Screw the new Flexi-Fix bracket into the existing holes. (See Fig. 2)

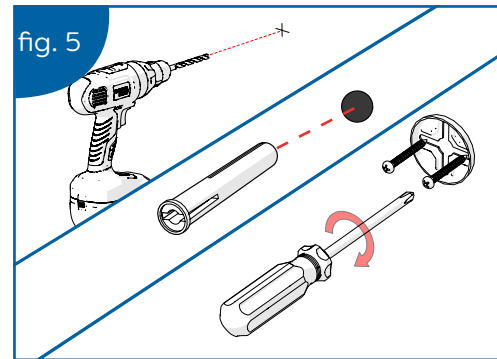


3. Install the Flexi-Fix Wall Mounted Accessory and tighten the grub screw to secure in place. **DO NOT** over-tighten the grub screw. (See Fig. 3)

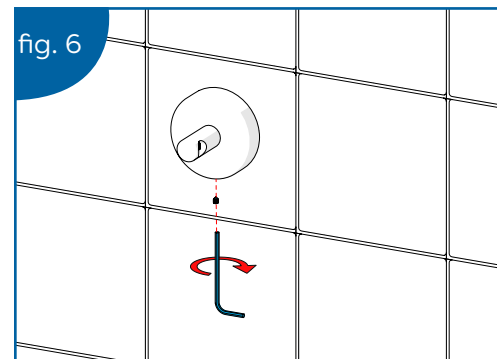
## SECTION 4 - INSTALLATION WHEN DRILLING NEW HOLES



1. Place the Flexi-Fix bracket onto the wall and mark hole centers for drilling. **DO NOT** attempt to install with screws going into grouting. (See Fig. 4)

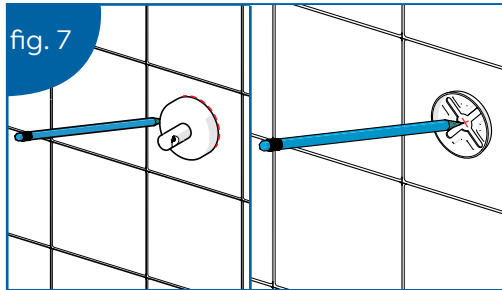


2. Drill holes and insert wall plugs. Ensuring the wall plugs sit flush with the wall. (See Fig. 5)

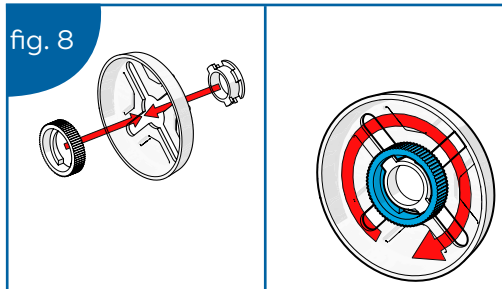


3. Install the Flexi-Fix Wall Mounted Accessory and tighten the grub screw to secure in place. **DO NOT** over-tighten the grub screw. (See Fig. 6)

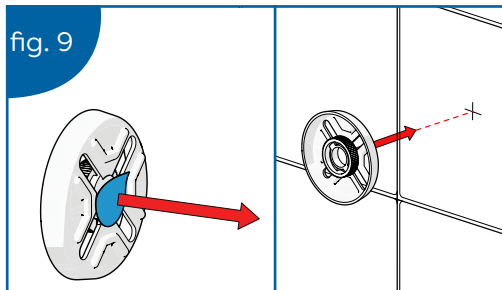
## SECTION 5 - INSTALLATION WHEN USING ADHESIVE FIXING METHOD



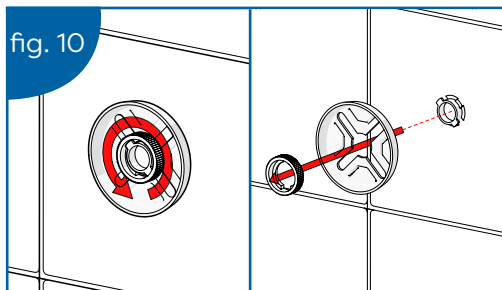
1. Place the Flexi-Fix bracket onto the wall and mark center for glueing. **DO NOT** attempt to install on grouting lines. (See Fig. 7)



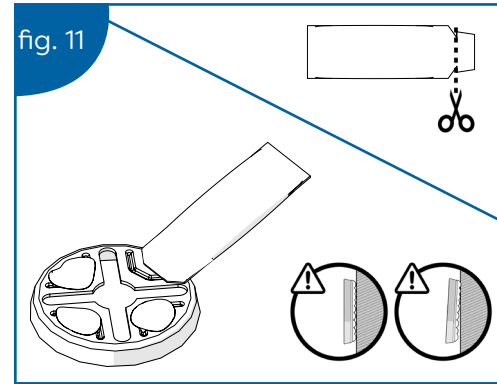
2. Assemble the Flexi-Fix bracket as shown. (See Fig. 8)



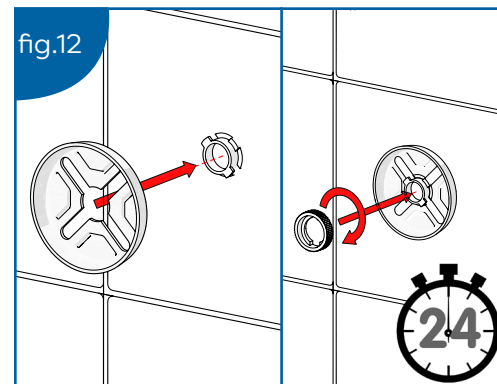
3. Peel off the adhesive sticker backing and press to wall on the marked center. (See Fig. 9)



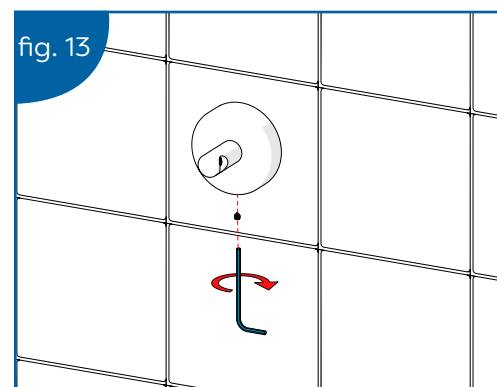
4. Unscrew and remove the Flexi-Fix bracket as shown. Be careful not to dislodge the guide that is now adhered to the wall. (See Fig. 10)



5. Open the sachet containing the adhesive and apply to the back of the Flexi-Fix bracket. (See Fig. 11)



6. Re-install the Flexi-Fix bracket onto the guide and secure as shown. **YOU MUST** wait 24 hours for adhesive to cure. **DO NOT** attempt to press the Flexi-Fix bracket to the wall. This will impede the bonding process. (See Fig. 12)



7. Install the Flexi-Fix Wall Mounted Accessory and tighten the grub screw to secure in place. Do not overtighten the grub screw. (See Fig. 13)