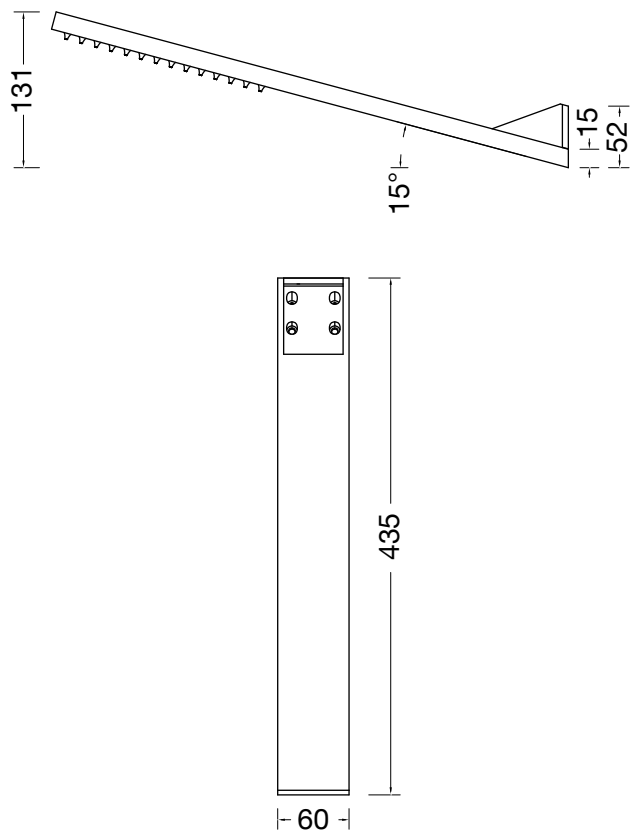


## DIMENSIONS



4

## INSTALLATION



Remember to turn off the mains water supply before connecting to any existing pipe work. Flush the piping with plenty of water prior to installation.

1. Loosely assemble the product as per the exploded drawing, note some parts may be supplied pre assembled. Do not disassemble any assemblies unless required to complete installation.
2. Attach any plumbing inlet connections as shown.
3. Attach any mounting fixings as indicated; secure the product firmly to the mounting surface.
4. Where the product includes a shower outlet refer to the separate instructions supplied.

5

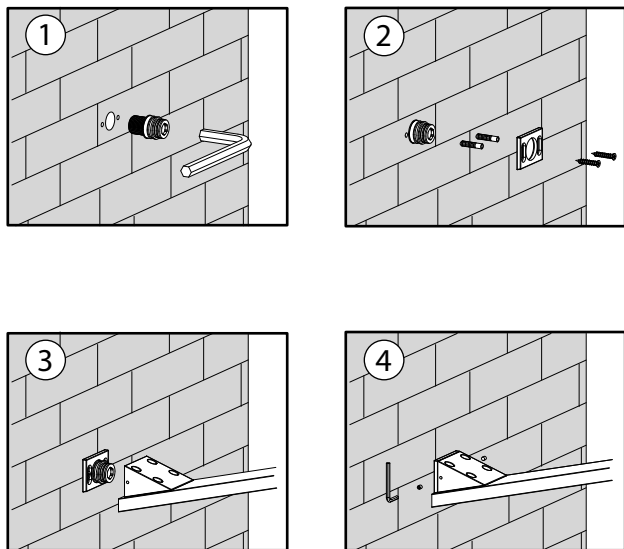
crosswater<sup>x</sup>

## INSTALLATION

FH1000C

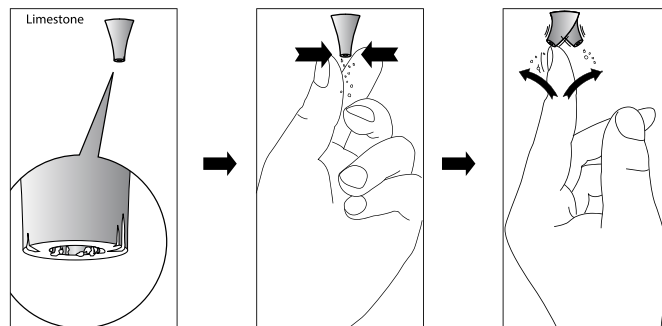
## CLEANING

The chrome plate we use on our taps is very durable, nevertheless care should be taken when cleaning them. They should be cleaned only with warm soapy water followed by rinsing with clean water and drying with a soft cloth. All finishes are vulnerable to acid attack and some strong substances such as household cleaners, disinfectants, denture cleaners, hair dyes, wine making and photographic chemicals can cause the surface to go black or peel.



6

## Cleaning Tips



7

