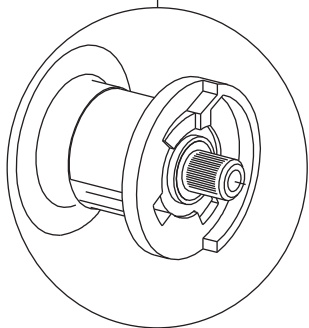
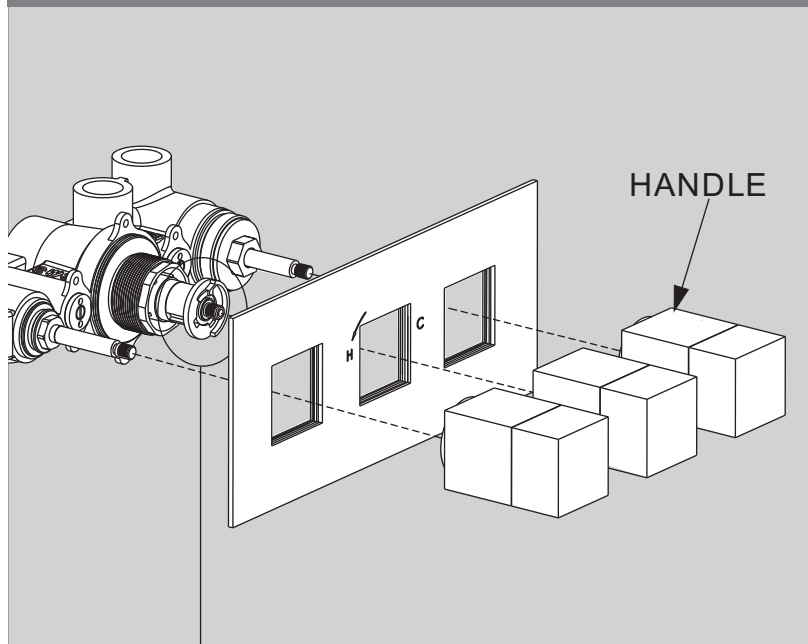


INSTALLATION NOTE

FIG. 2 FITTING CONTROL HANDLES



ENSURE THE OVERRIDE RING IS IN PLACE AND ALIGNED AS SHOWN