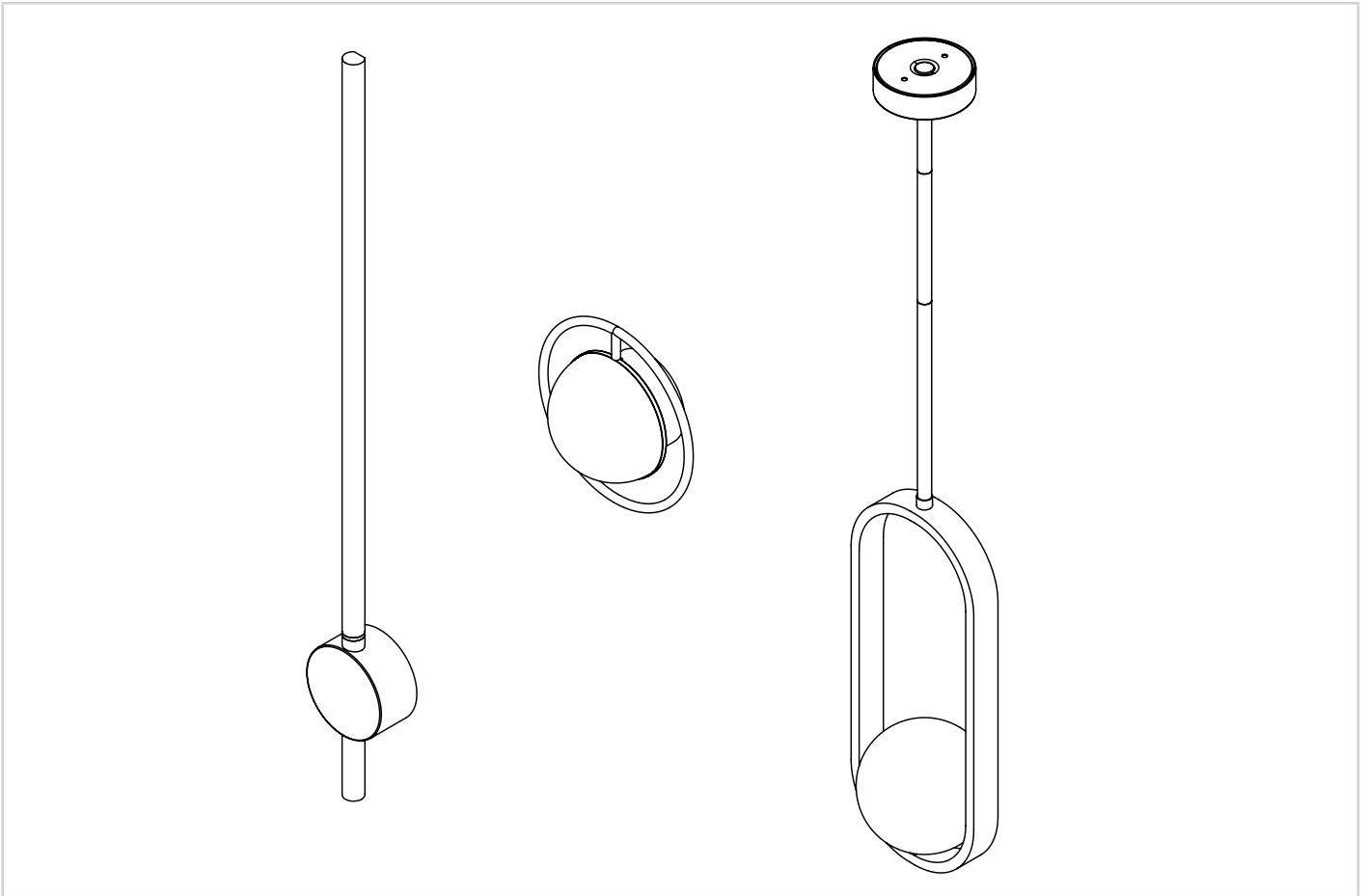


TRANQUIL

Lighting Range



PRODUCT CODES:

TRL001x, TRL002x, TRL003x



IMPORTANT INFORMATION BEFORE YOU START

Please read carefully and keep this information for further reference.

Thank you for buying a Crosswater Product. To ensure that it works to its full potential, it needs to be fitted correctly.

Check the contents of the pack carefully before installation.

Crosswater will not be held responsible for any consequential costs where faulty product has been fitted. If any fault is found with materials or workmanship, it must be reported immediately to the manufacturer. Remedial action will be taken, based on information received, on condition that:

1. Full details are supplied to the manufacturer.
2. The product has not been modified or tampered with;

3. The manufacturer is informed of any damage/shortages prior to installation.

4. The product has not been installed, or attempts have been made to install.

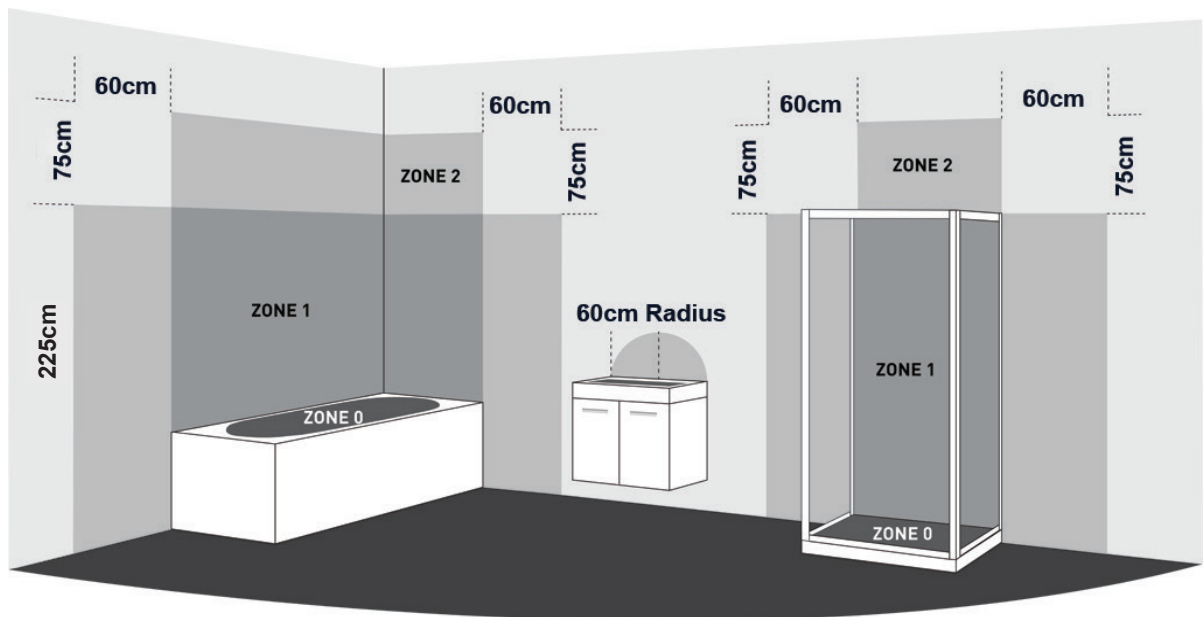
We do not accept responsibility for any problems that may occur through incorrect installation. This product should only be installed by a suitably qualified electrician/installer. Should the installation be completed by a non-qualified person any product guarantee maybe considered invalid. For a claim made under our warranty, written certification of your installer's qualifications may be required.

SAFETY ADVICE

Please use the supplied wall fixing bracket and follow the correct installation method. If the instructions are not followed appropriately there is an increased safety risk to the user. It is important to install light fittings in the correct bathroom zone i.e. the zone referred to in the IP rating of the element.

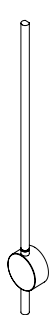



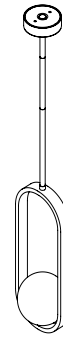
All installations must comply with guidelines which are based on a zonal concept. The diagram below illustrates this concept and must be followed to ensure the safe installation of electrical appliances in the bathroom. These regulations apply to domestic installations only.

It is recommended that all electrical bathroom products should only be fitted by a suitably qualified, Part P registered electrician in accordance with current IEE regulations. Failure to have electrical products installed and certificated by a qualified electrical engineer will invalidate any product guarantee. For full details reference should be made to the latest copy of the IET wiring regulations and all applicable British Standard and European norm specifications.

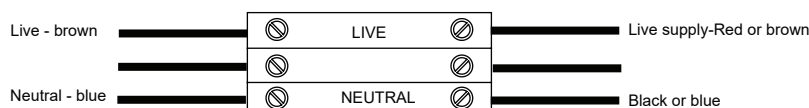


This product is IP44 rated and is suitable for installation within zone 2 above, and complies with the following safety standards: EN 60598.

All lights can be operated via the mains light switch for the room or an independent light switch.

   <p>TRL001x Bulb Required - No - LED Provided Dimmability - No</p> <p>This product contains a light source of energy efficiency class F</p>	 <p>TRL002x Bulb Required - G9 Dimmability - Yes</p>	 <p>TRL003x Bulb Required - G9 Dimmability - Yes</p>
---	--	--

WIRING DIAGRAM



This product is Class II rated and therefore no earth connection required. Supply 240v/50hZ maximum

BEFORE YOU START

Important Pre-Installation Notes







Please check for any hidden pipes or electrical cables before drilling holes in the floor or walls. When using power tools always follow the manufacturer's user instructions. This installation guide details fitting to a solid wall. If your bathroom has studded/plasterboard walls, please use appropriate fixings.

Make sure that the wall and ceiling can take the weight of the products before undertaking the installation. It is recommended that the lighting fixtures are installed after tiling, ensuring that the product is installed flat to the tile face and allows product to be easily removed if required in the future.

This document has been prepared for your guidance, you must exercise due care at all times.

Ensure the domestic electrical mains supply to which the ceiling light is being connected is turned off.

Tools Required (not supplied):

<p><u>Drill + 4mm Drill Bit</u></p>		<p><u>Pencil</u></p>	
<p><u>Tape Measure</u></p>		<p><u>Screw Driver</u></p>	
<p><u>Spirit Level</u></p>		<p><u>Safety Goggles</u></p>	

Fixings:

Remove all outer packaging and carefully check the product is in perfect condition, lighting will be supplied with:

<p><u>x2 Wall Fixing Screws</u></p>		<p><u>x2 Wall Plugs (for solid wall only)</u></p>	
-------------------------------------	---	---	---

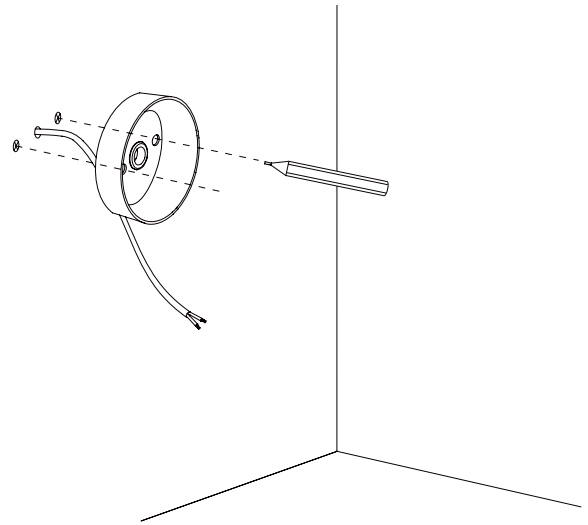
INSTALLATION

1



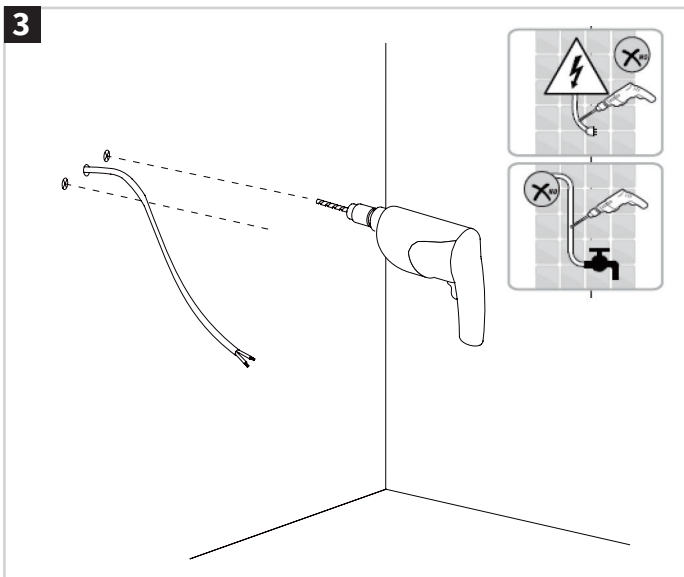
WARNING: Ensure the mains voltage supply to which the light is being connected is turned off.

2



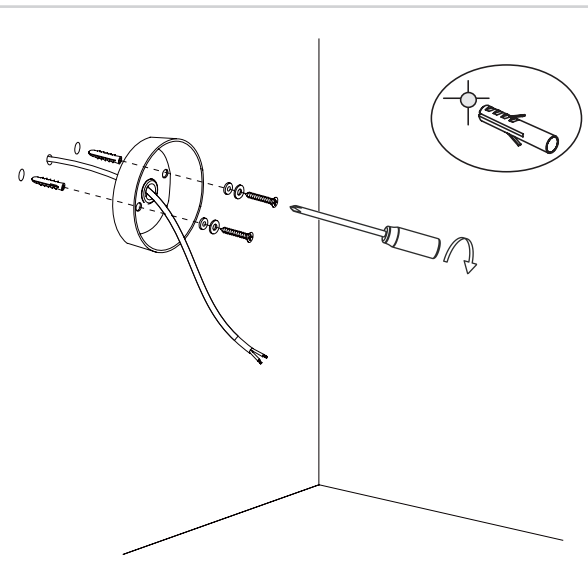
Remove the 2 screws from the sides of the base of the light to separate the wall bracket component from the rest of the light fixture. Determine the installation position of the light and mark the wall through the screw holes on the inside of the wall bracket, ensuring they are level.

3



Drill the marks on the wall avoiding any cables and pipes.

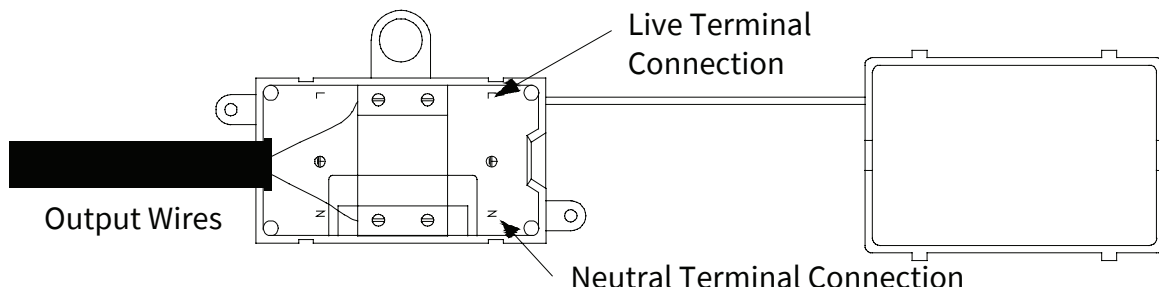
4



Insert the wall plugs into the holes drilled and create a hole through the silicone seal to feed the wiring through into the lighting base. Pull the wiring through the hole and secure the bracket to the wall ensuring it is fully flush.

INSTALLATION

5



Remove the cover from the electrical connections box. Using a suitable terminal screwdriver make secure connections as follows:

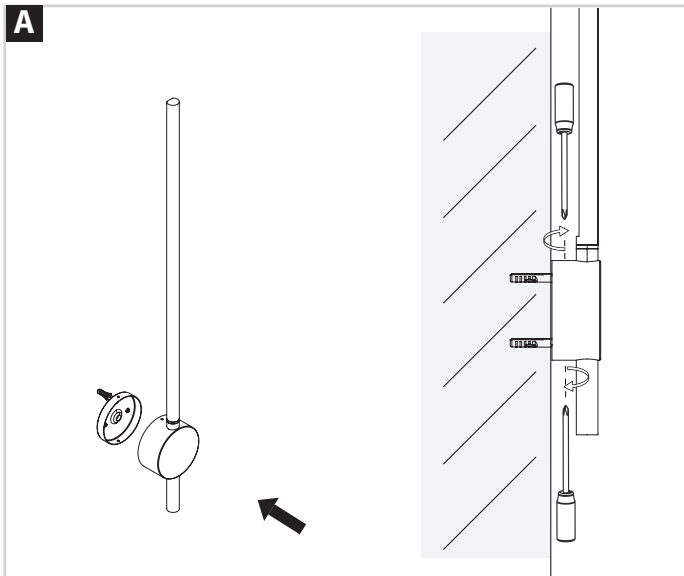
Colour coding:
 L - Live = Brown
 N - Neutral = Blue

All cables are double insulated. Ensure the mains cable is correctly secured by the cable clamp. Close the connection box cover.

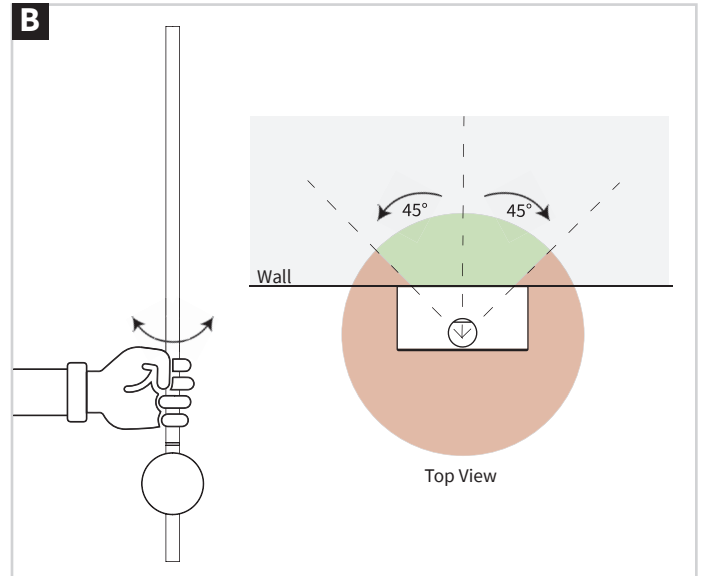
INSTALLATION

Please follow the relevant steps for the chosen light you are installing:

TRL001x - Pillar Light:



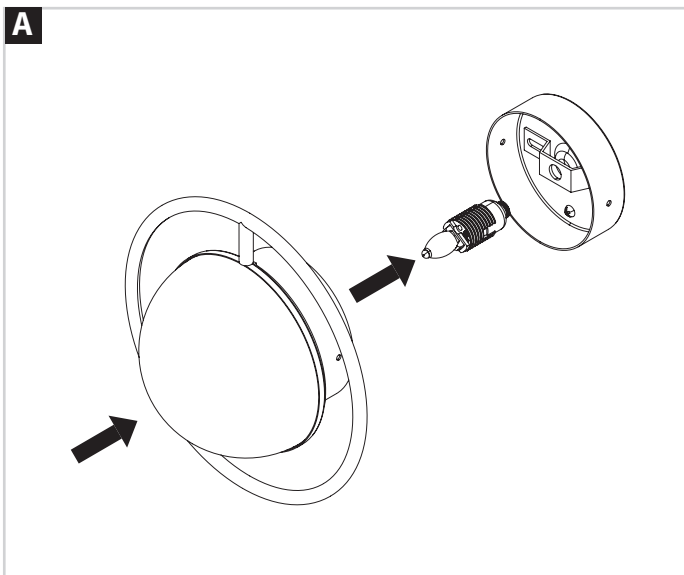
Align the pillar light with the wall bracket ensuring the wire is not trapped. Tighten the screw fixings on either side of the base.



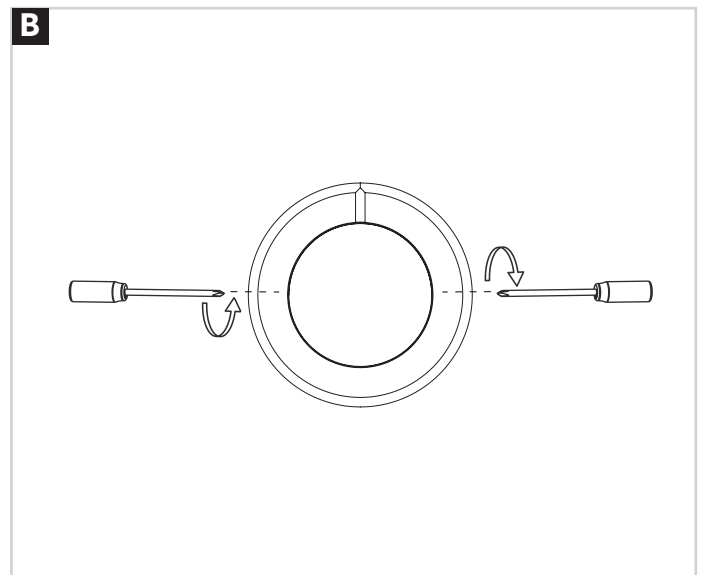
The pillar light can be rotated 45° in either direction to aim and increase the intensity of the mood lighting.

Avoid over twisting the rod.

TRL002x - Halo Light:



Ensure the light has a G9 bulb fitted before fitting to the wall bracket. The bulb is installed by pushing into the bulb socket.

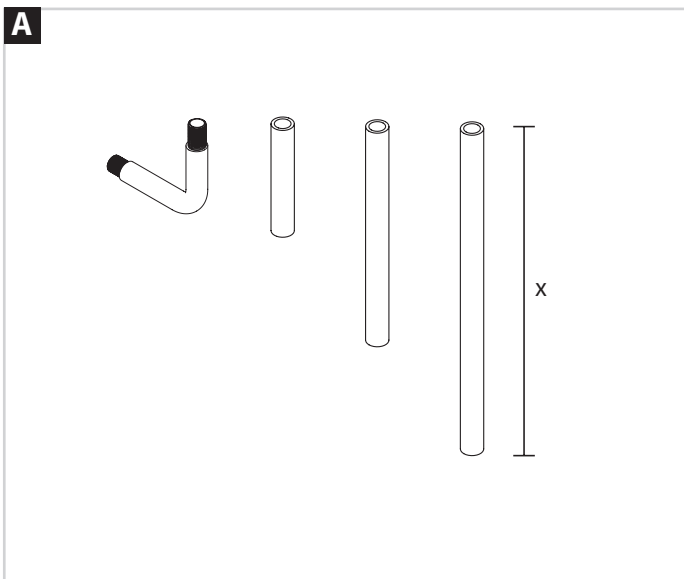


Align the halo light with the wall bracket ensuring the wire is not trapped. Tighten the screw fixings on either side of the base.

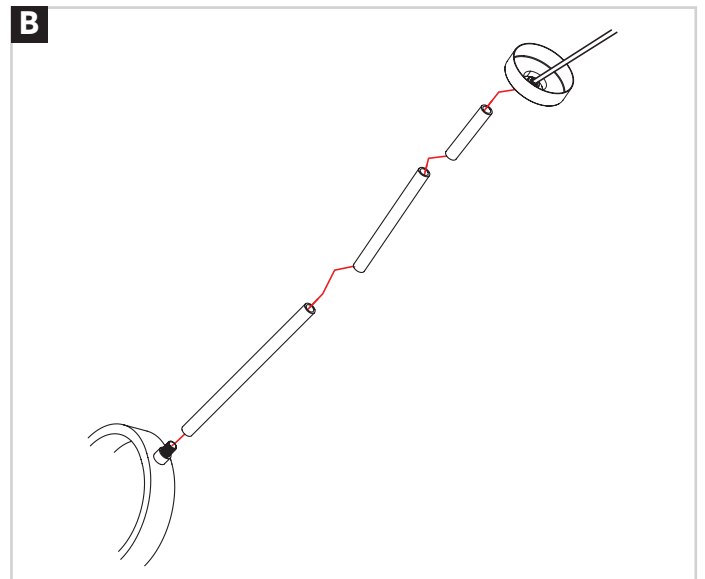
INSTALLATION

Please follow the relevant step for which light you are installing:

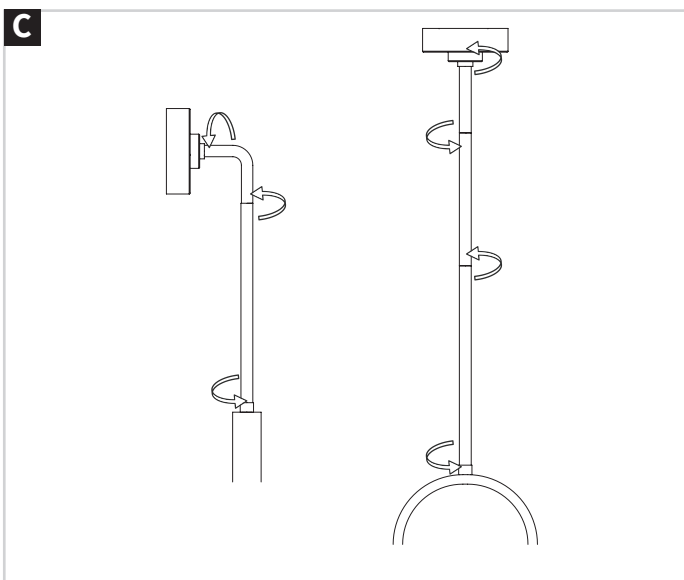
TRL003x - Pendant Light:



Choose the combination of rods to create the length desired for the pendant light.

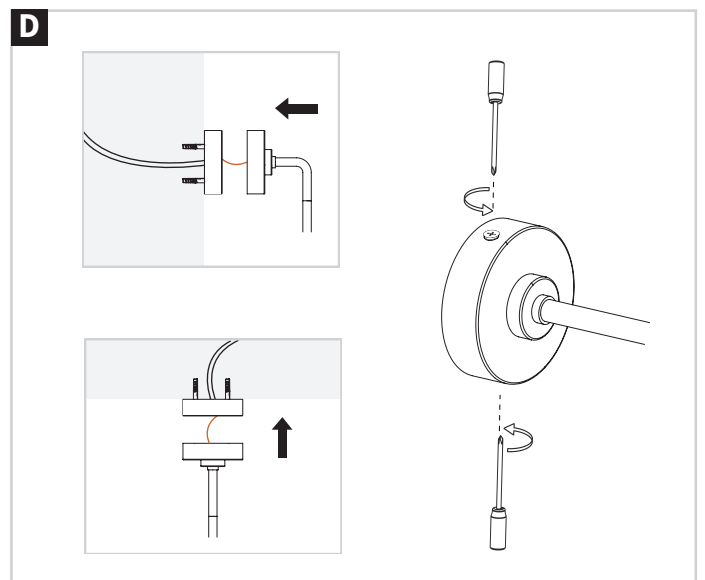


Lay out the rods with the ends of the rods threads complimenting each other. Before screwing rods together, thread the cable through each length individually and connect to electrical connections box.



Screw the rods together aligning the threads.

Avoid over-tightening the rods.



Align the light to the wall bracket (whether it is being installed on the wall or the ceiling) and ensure the electrical wire is not trapped. Tighten the screw fixings on either side of the base.

CARE & MAINTENANCE

The material we use in our lighting is very durable, nevertheless care should be taken when cleaning them. Excess dirt and material can be removed with a damp cloth, and then rubbed down gently with a dry cloth. All finishes are vulnerable to acid attack and some strong substances such as household cleaners, disinfectants, denture cleaners, hair dyes, wine making, and photographic chemicals can cause the surface to go black or peel.

Note: Never use abrasive detergents or disinfectants or those containing alcohol, hydrochloric acid or phosphoric acid.

WEEE compliance - This product must not be mixed with general household waste. Dispose of each fitting according to local authority guidance.