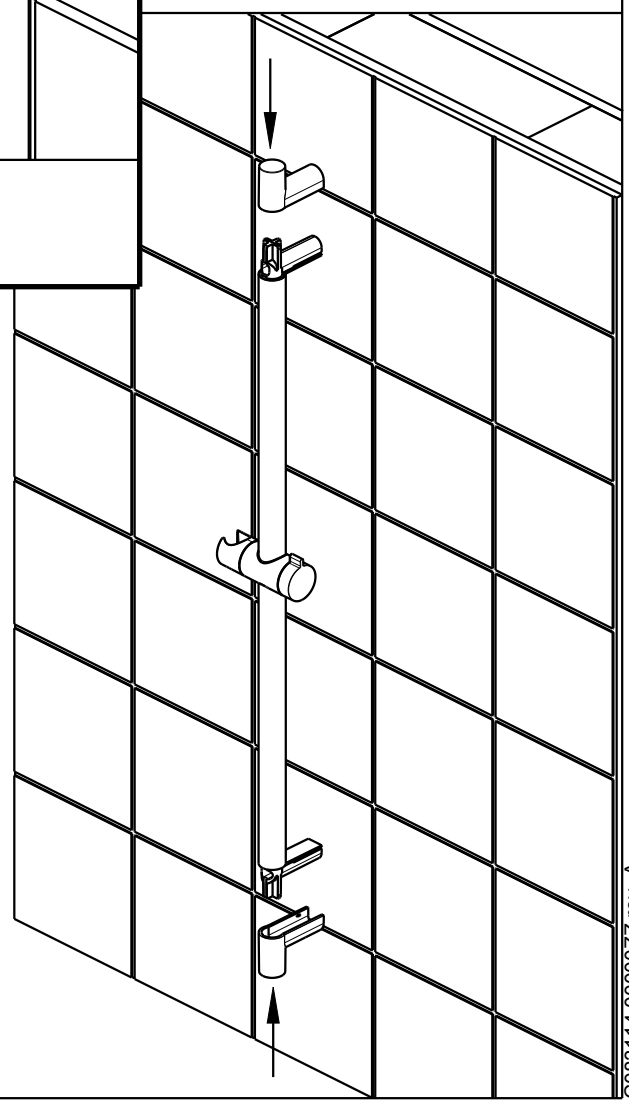
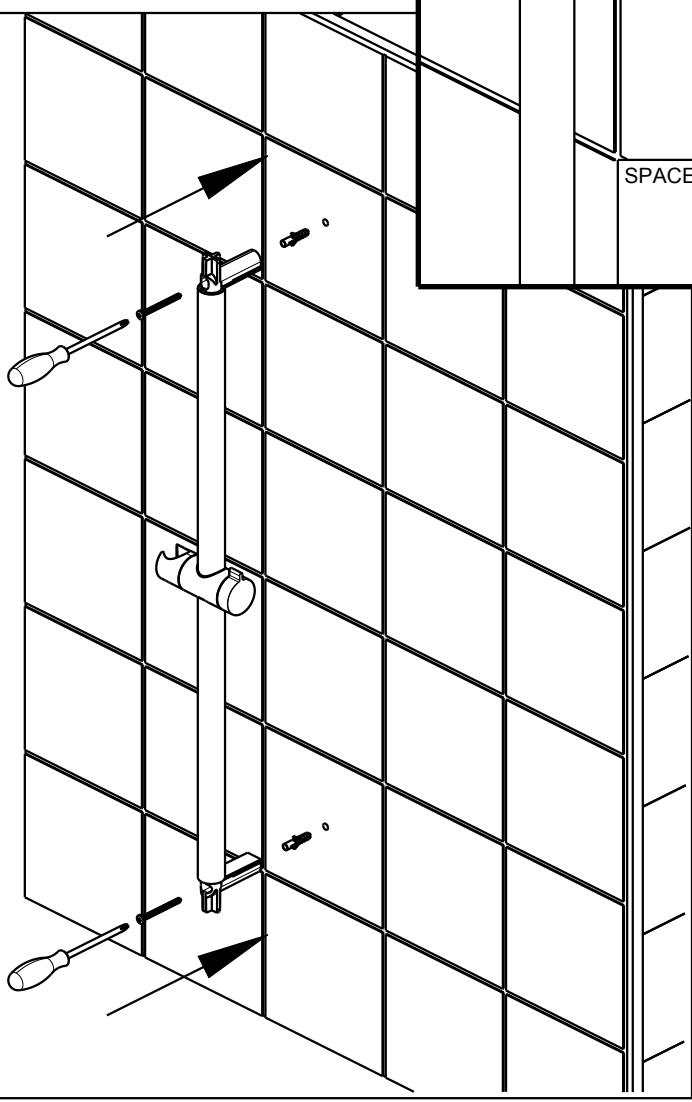
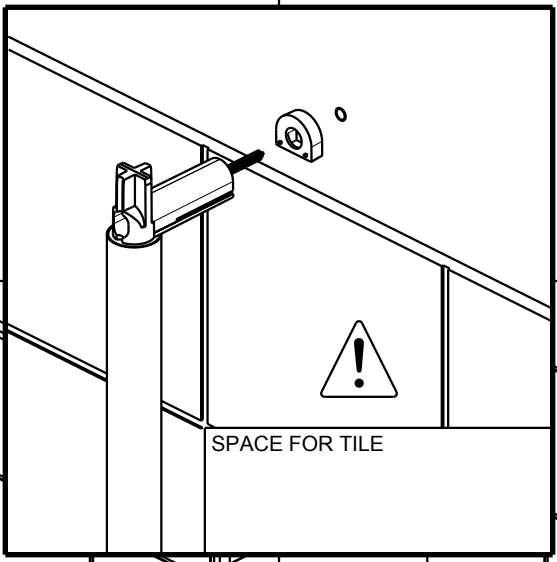
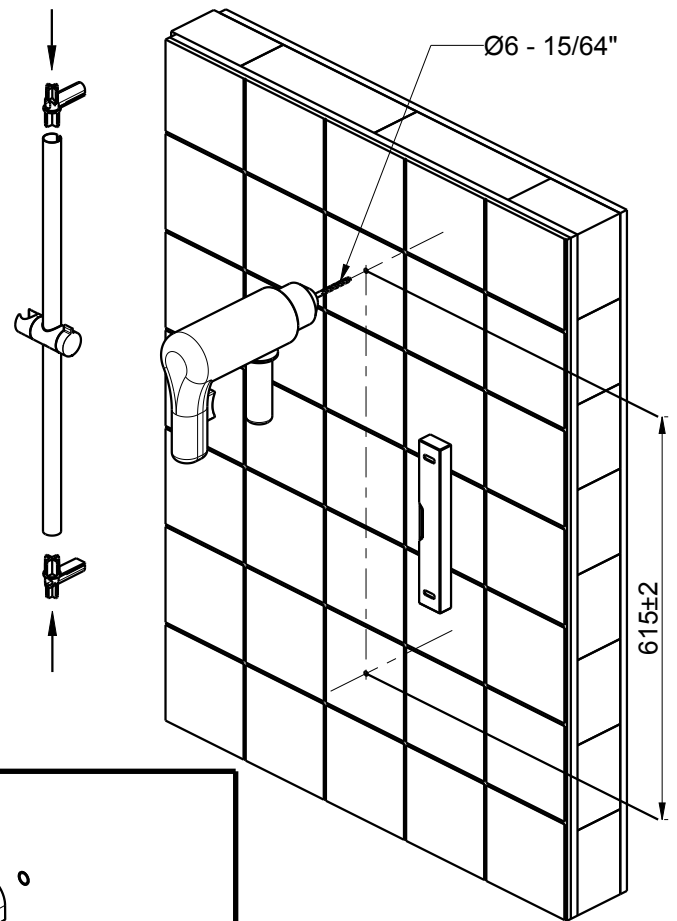
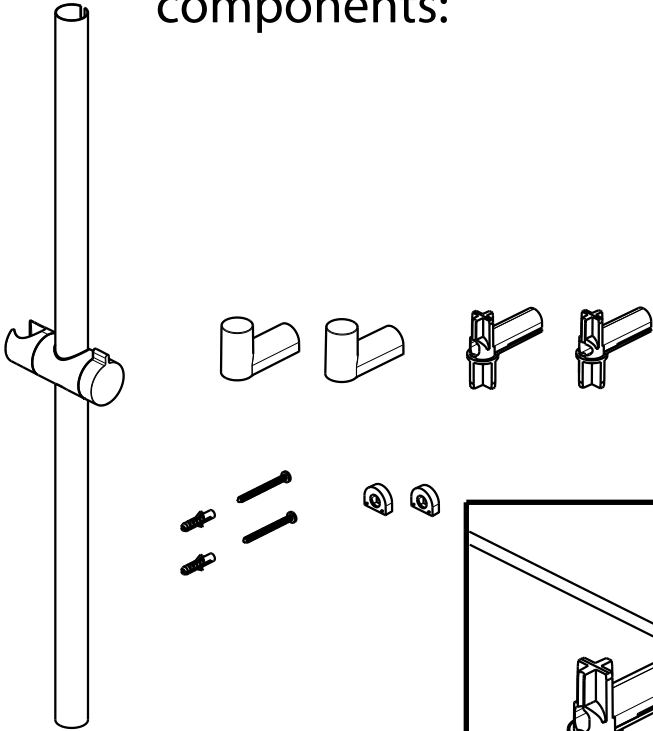


PRO600 V/M/F

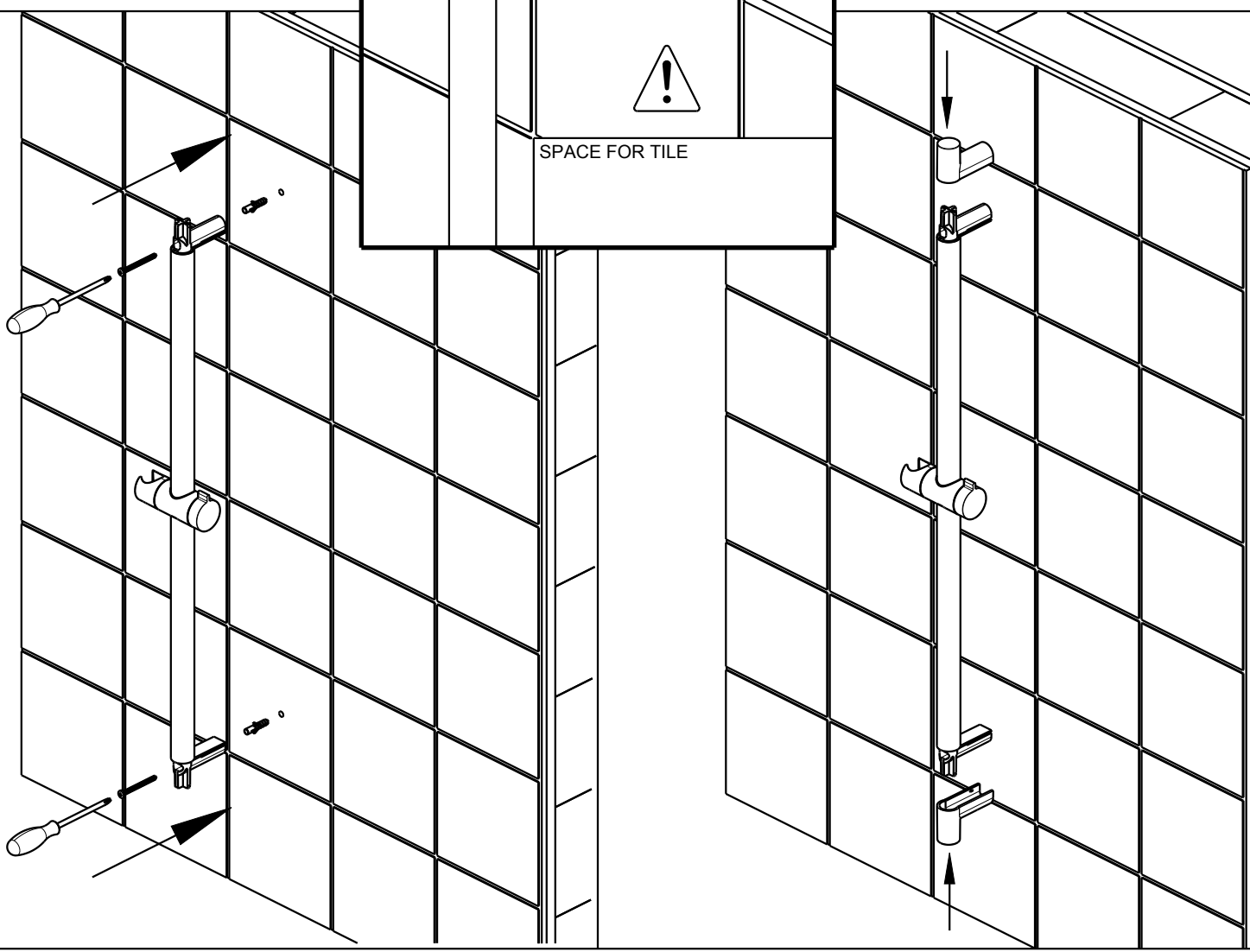
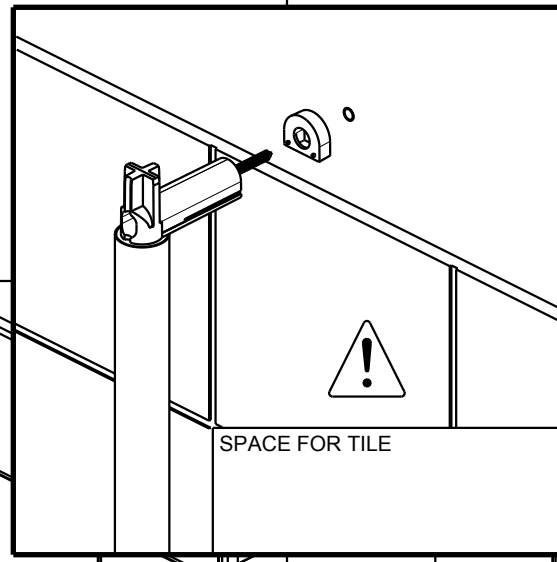
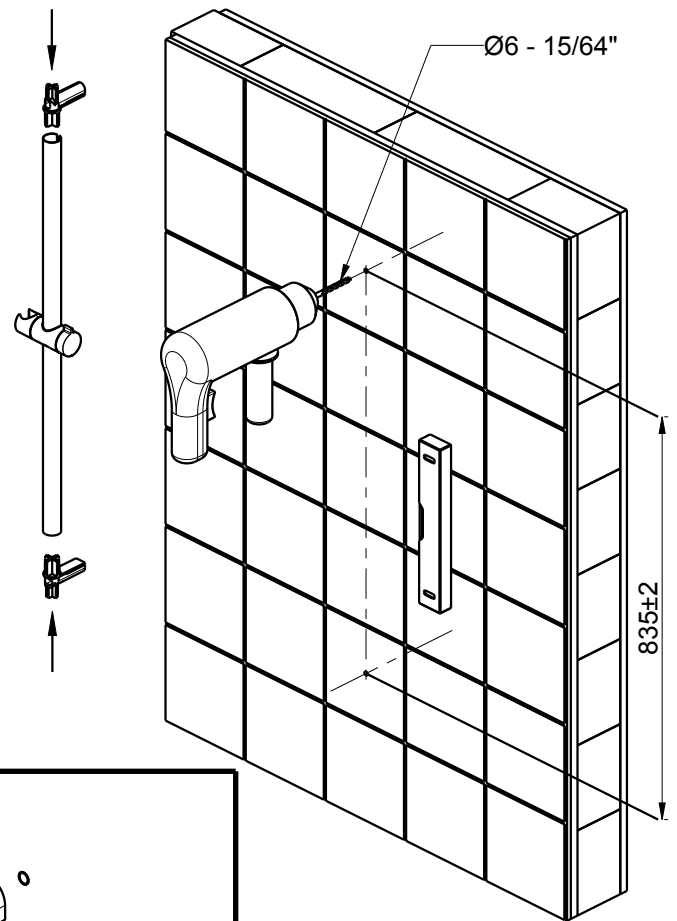
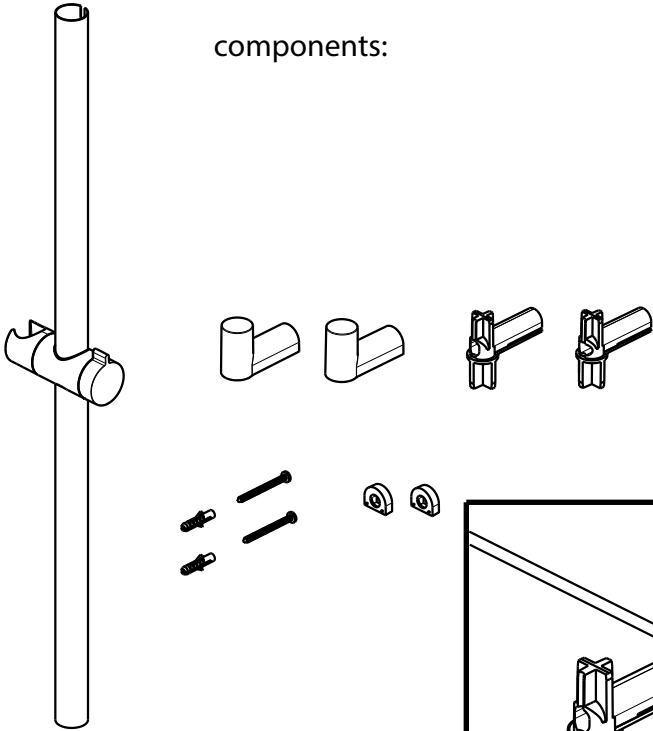
crosswater<sup>®</sup>

components:



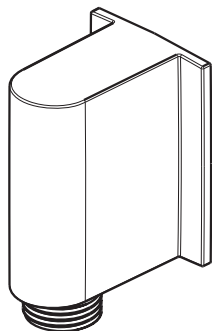
# ASSEMBLY INSTRUCTIONS

components:

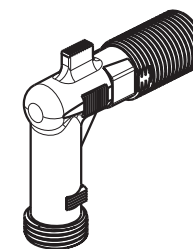
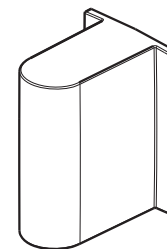
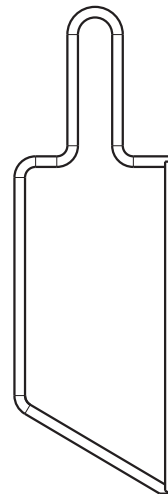
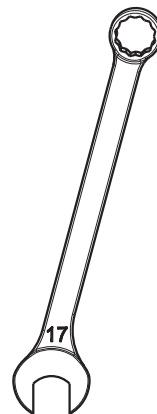


# PRO0955 V/M/F

MOUNTING INSTRUCTIONS I



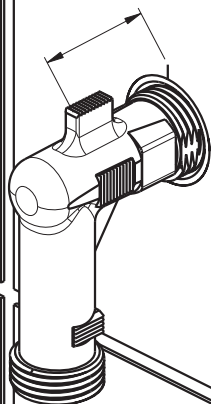
crosswater<sup>®</sup>



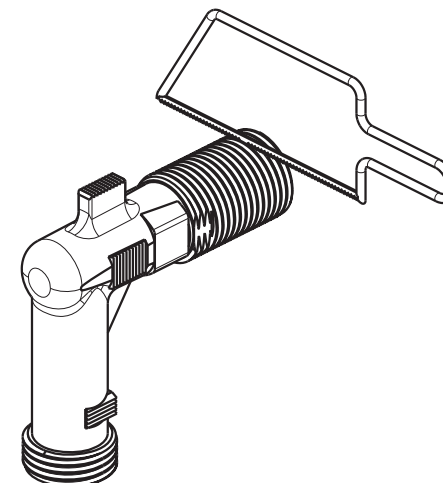
1x

1x

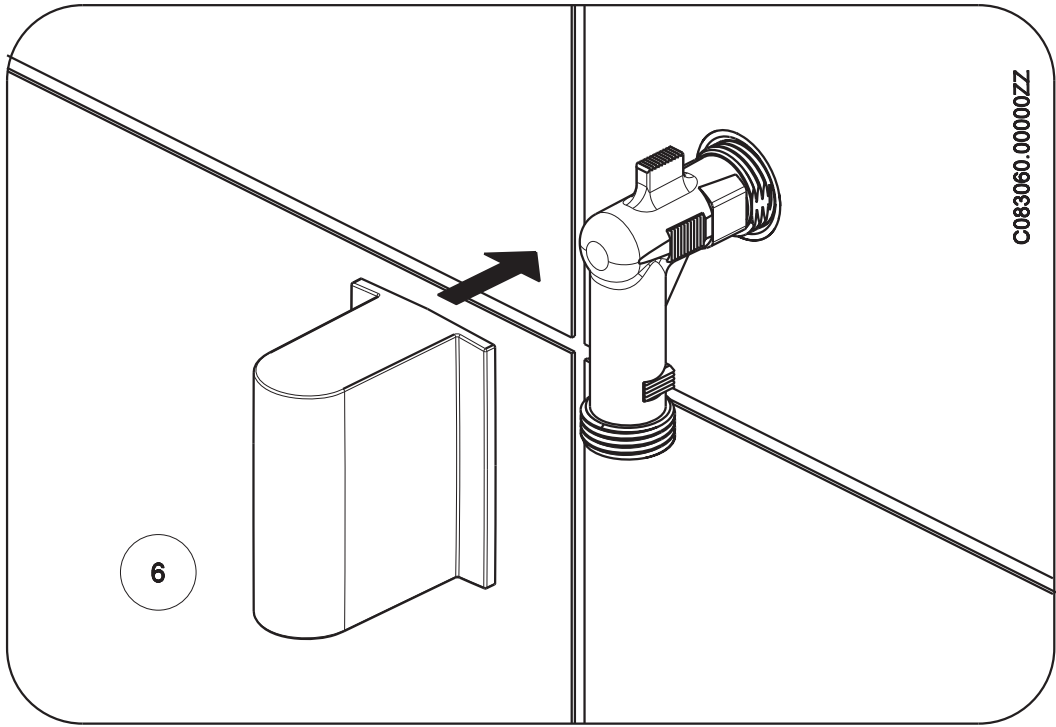
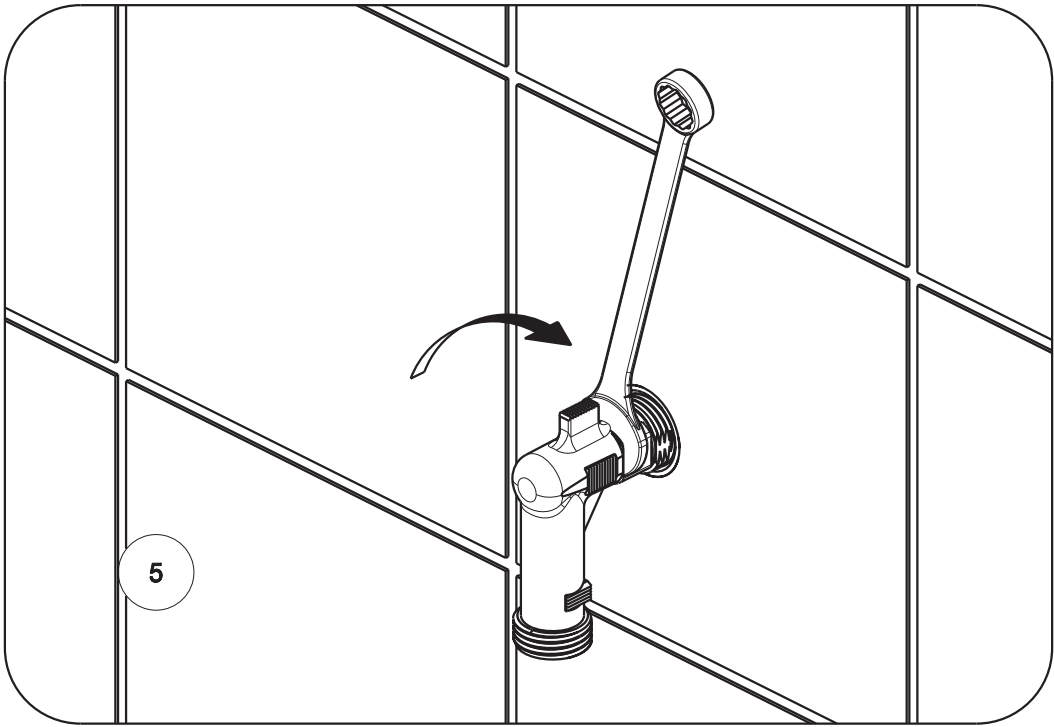
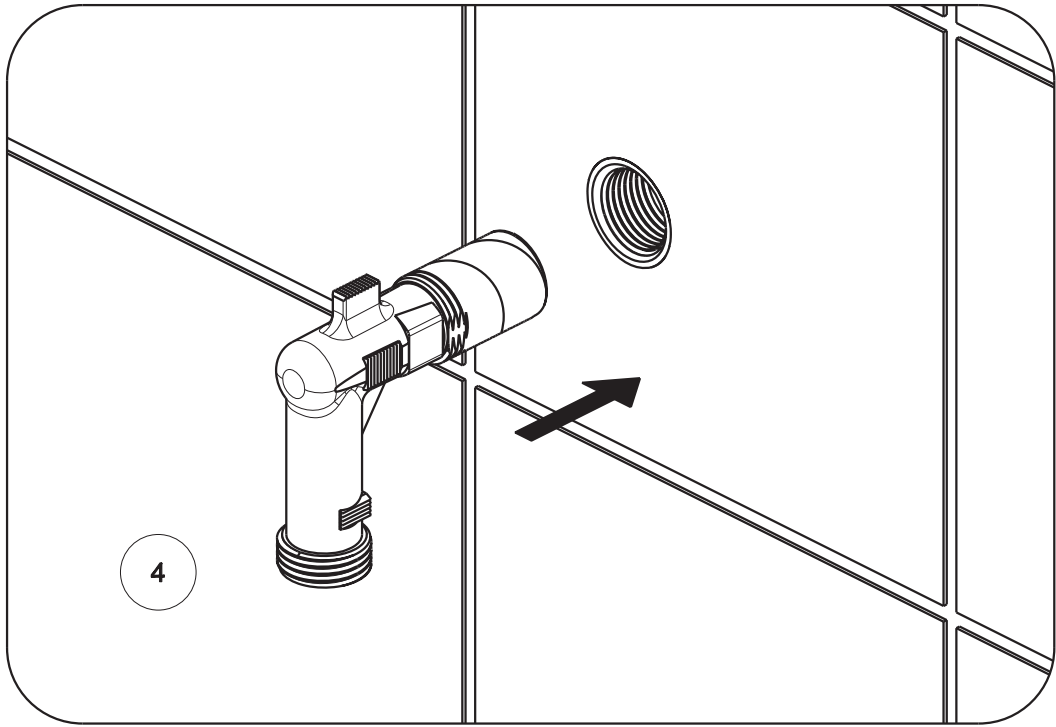
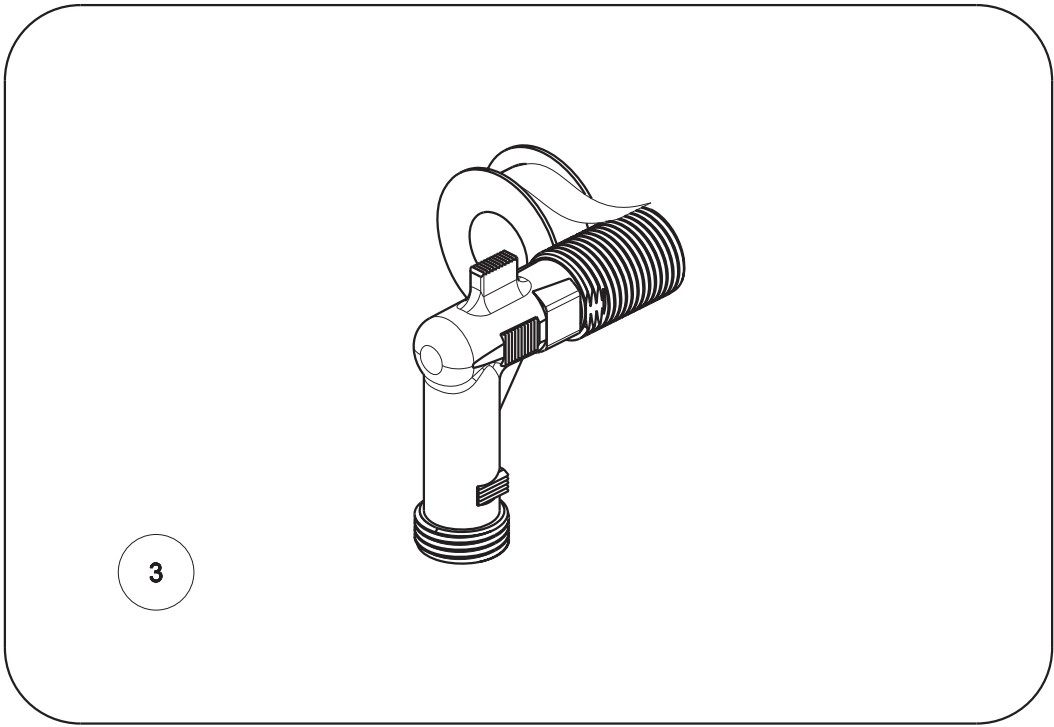
MIN 21 mm  
MAX 29 mm



1



2



C083060.00000ZZ