

**PROMODIVLBP/PROMOD1601/PROMOD1701/PROMOD440TRIM**

**MOUNTING INSTRUCTIONS**

PRESSURE RANGE MIN/MAX 0,5/5 BAR  
(IN CASE OF WATER PRESSURE HIGHTER THAN 5 BAR WE RACOMMEND  
INSTALLING PRESSURE REDUCERS).  
RECOMMENDED PRESSURE 3 BAR.

OPERATION:  
EITHER WITH GAS OR ELECTRIC ACCUMULATION BOILERS.  
CENTRALISED SYSTEMS.

---

SAFETY LOCK AT:	41° C
MIN. WORKING TEMPERATURE:	3° C
MIN. RECOMMENDED:	15° C
MAX. WORKING TEMPERATURE:	70° C
MAX. RECOMMENDED:	65° C
RECOMMENDED THERMAL DIFFERENTIAL	50° C

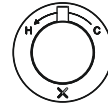
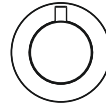
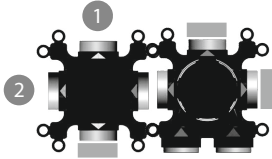
THERMAL DISINFECTION IS ALLOWED.

SAFETY SYSTEM WITH FLOW STOP IN CASE OF LACK OF ONE OF THE TWO  
WATERS.

---

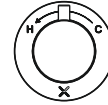
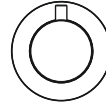
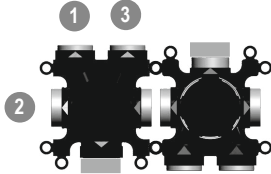
WARNING: CONTACT THE PLUMBER FOR THE CHOICE OF THE BEST WATER  
HEATING DEVICE.

## MODULE 2 CONTROL DIVERTER 2-WAY



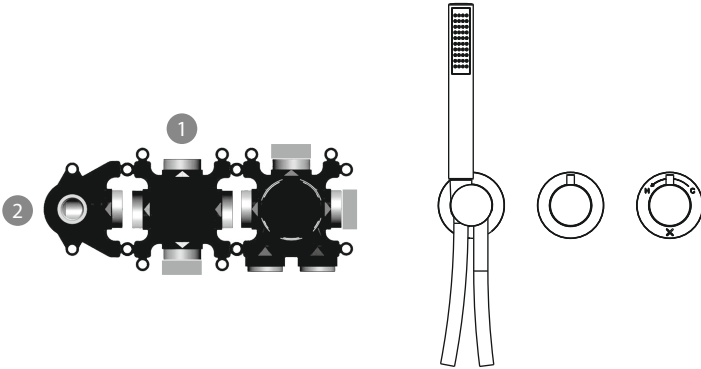
press. bar	flow-rate L/min.		
	Exit 1	Exit 2	Exit 1+2
0,5	9,2	9,2	9,7
1	13	13	13,7
2	18,7	18,7	19,7
3	23	23	24,2
4	26,5	26,5	28
5	29,5	29,5	31,4

## MODULE 2 CONTROL DIVERTER 3-WAY



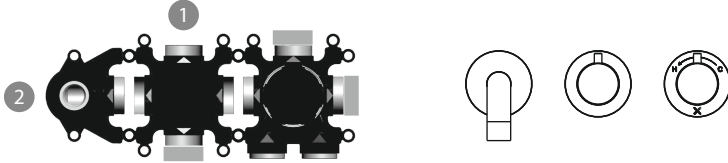
press. bar	flow-rate L/min.		
	Exit 2	Exit 1	Exit 3
0,5	10	10	9,7
1	13,6	13,7	13,4
2	19,2	19,5	19
3	23,4	23,8	23,3
4	27	27,5	26,8
5	30	30,5	29,8

## MODULE 2 CONTROL 2-WAY TRIMSET WITH HANDSHOWER



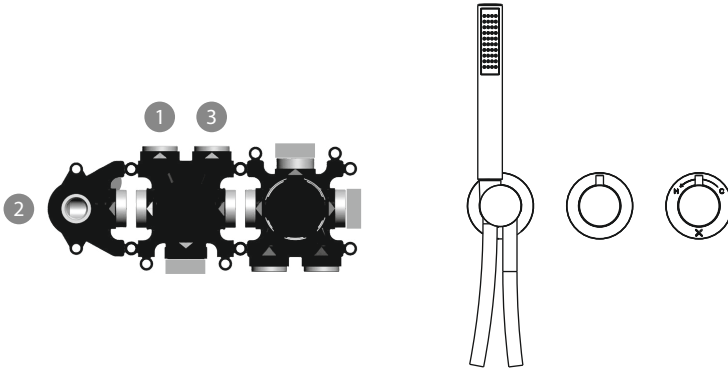
press. bar	flow-rate L/min.		
	Exit 1	Exit 2 for Shower	Exit 1+2
0,5	9,2	4,2	9,3
1	13	6	13,4
2	18,7	8,5	19
3	23	10,7	23,5
4	26,5	12,3	27
5	29,5	13,8	30,3

## MODULE 2 CONTROL 2-WAY TRIMSET WITH BATH SPOUT



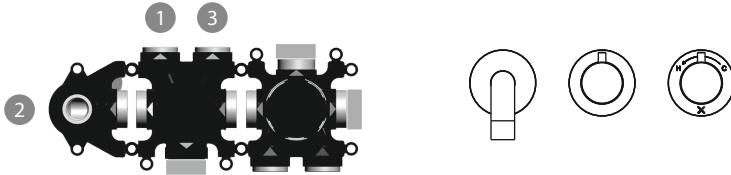
press.	flow-rate L/min.		
bar	Exit 1	Exit 2 for Spout	Exit 1+2
0,5	9,2	8,5	10
1	13	12,5	14,1
2	18,7	18	20
3	23	22,3	24,6
4	26,5	26	28,6
5	29,5	29	32

## MODULE 2 CONTROL 3-WAY TRIMSET WITH HANDSHOWER



press. bar	flow-rate L/min.		
	Exit 2 Hand Shower	Exit 1	Exit 3
0,5	4,1	10	9,7
1	6	13,7	13,4
2	8,5	19,5	19
3	10,6	23,8	23,3
4	12,3	27,5	26,8
5	13,8	30,5	29,8

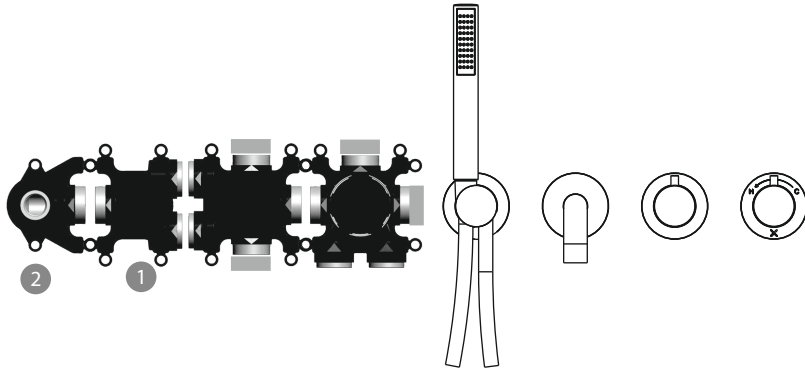
## MODULE 2 CONTROL 3-WAY TRIMSET WITH BATH SPOUT



press.	flow-rate L/min.		
bar	Exit 2 Bath Spout	Exit 1	Exit 3
0,5	8,5	10	9,7
1	12,5	13,7	13,4
2	18	19,5	19
3	22,3	23,8	23,3
4	26	27,5	26,8
5	28,8	30,5	29,8

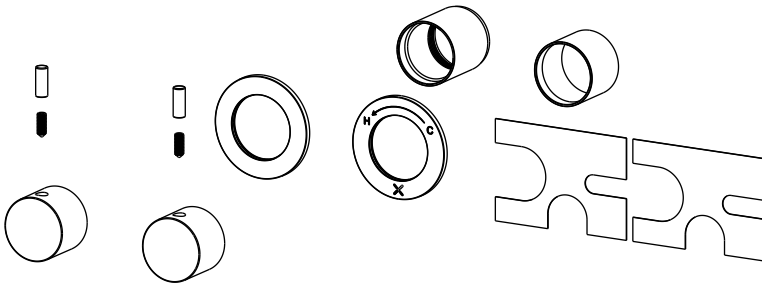


MODULE 2 CONTROL 2-WAY TRIMSET WITH  
BATH SPOUT & HANDSHOWER

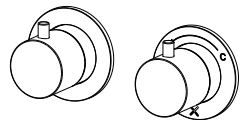


press.	flow-rate L/min.		
bar	Exit 1 Bath Spout	Exit 2 Hand shower	Exit 1 +2
0,5	8	4,1	8,8
1	11,7	6	12,7
2	17	8,5	18,3
3	21	10,6	22,5
4	24	12,3	25,6
5	26,7	13,8	28,5

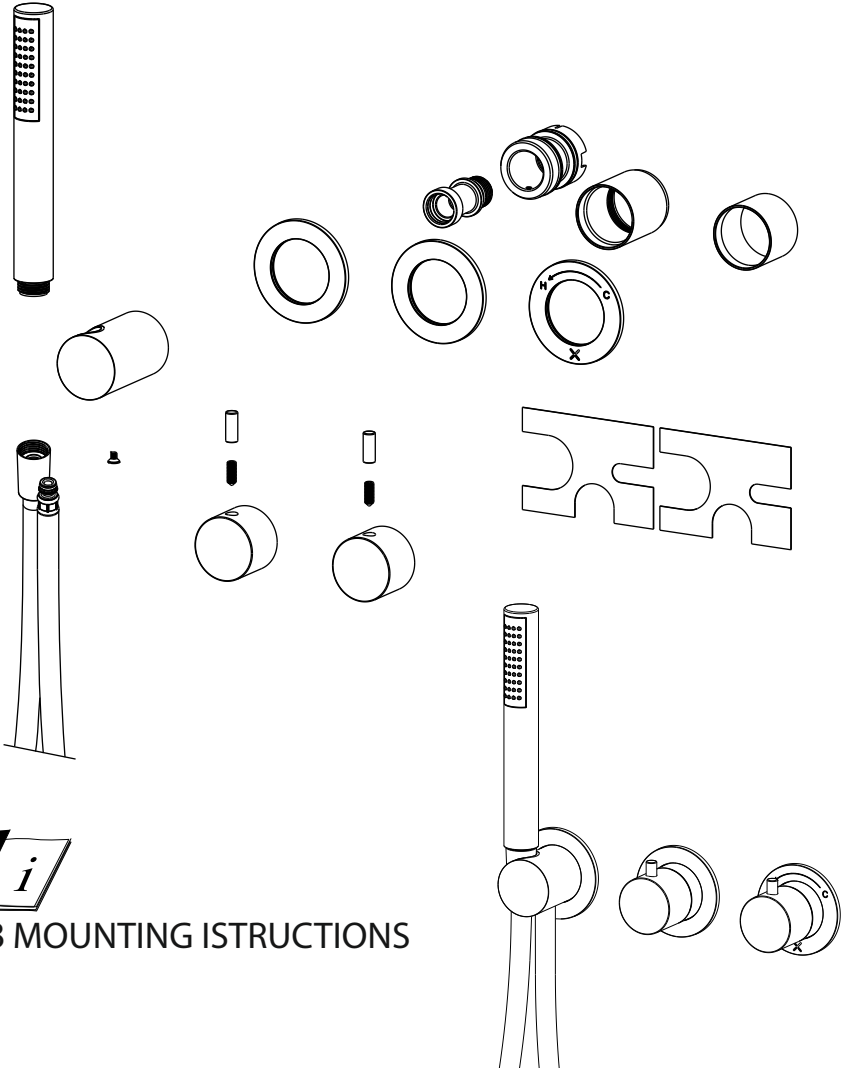
## MODULE 2 CONTROL DIVERTER TRIMSET



GB MOUNTING ISTRUCTIONS

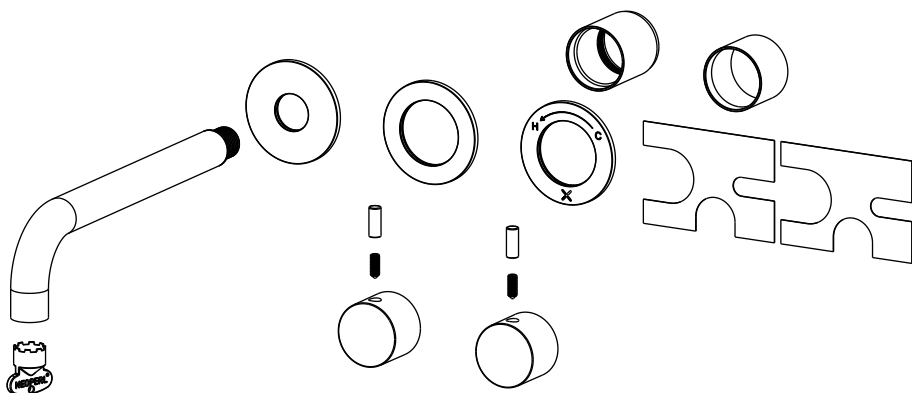


MODULE 2 CONTROL TRIMSET WITH HANDSHOWER

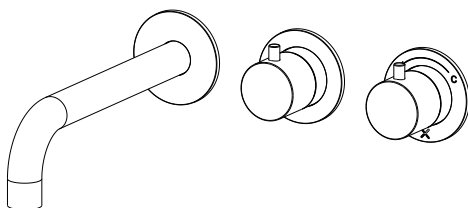


GB MOUNTING ISTRUCTIONS

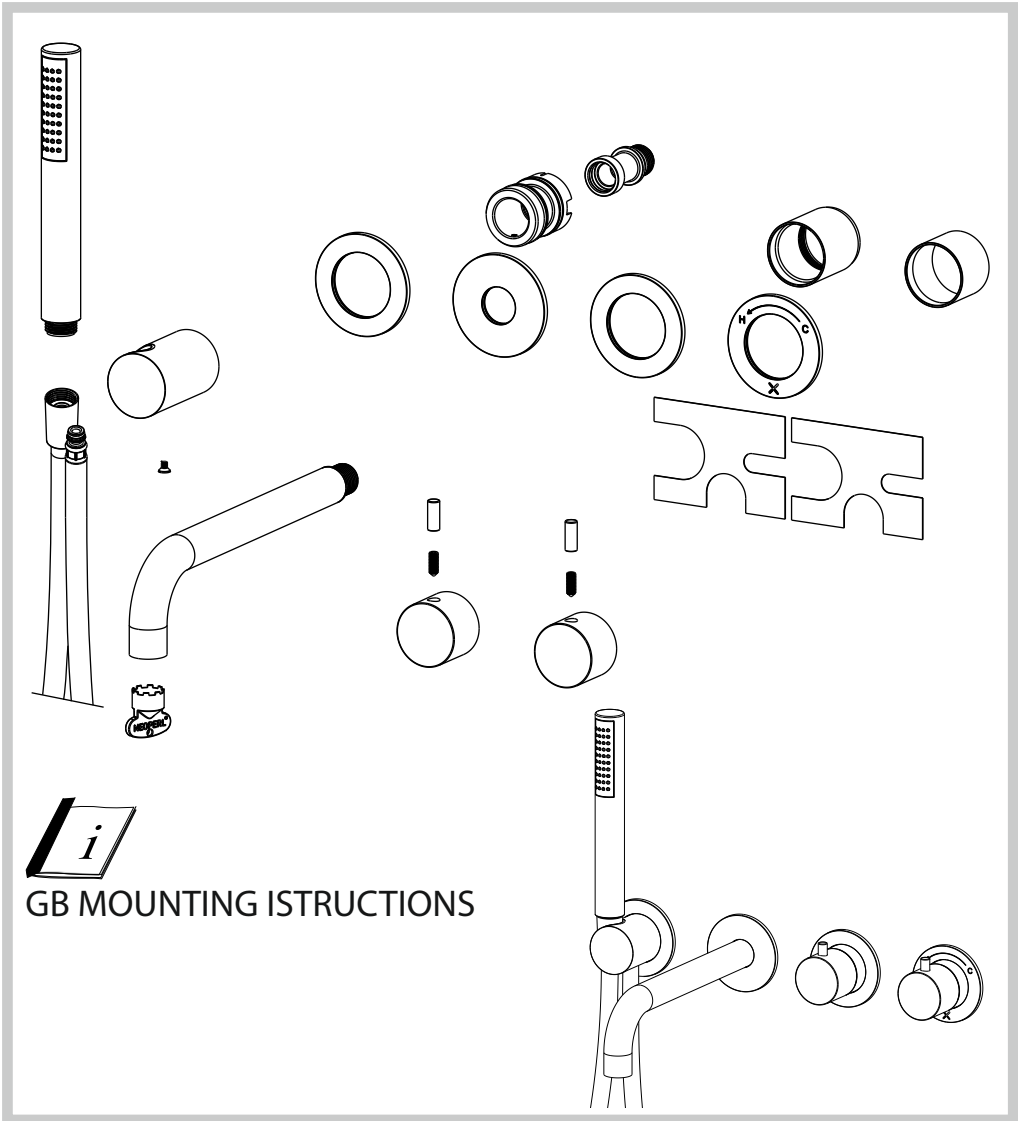
## MODULE 2 CONTROL TRIMSET WITH BATH SPOUT

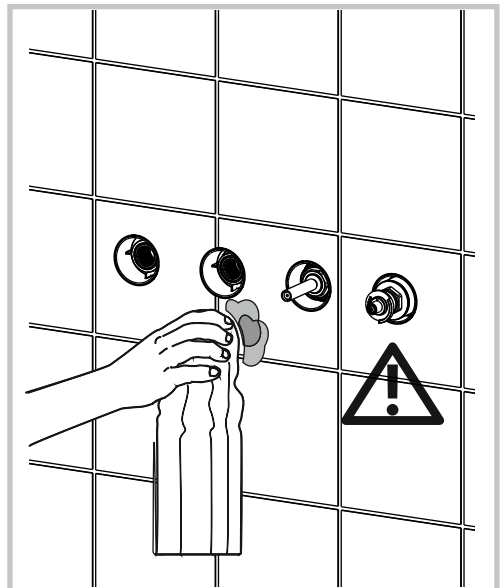
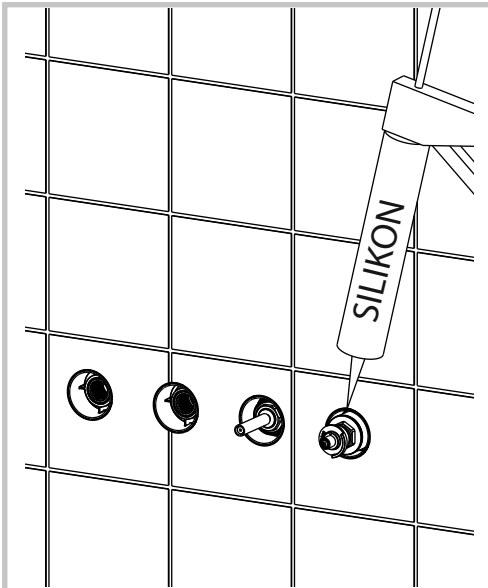
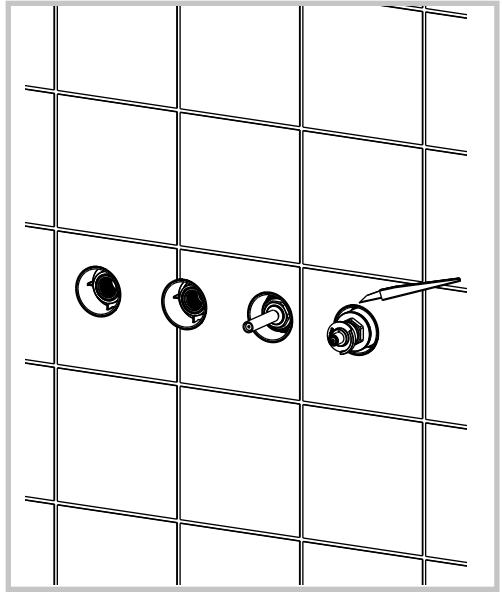
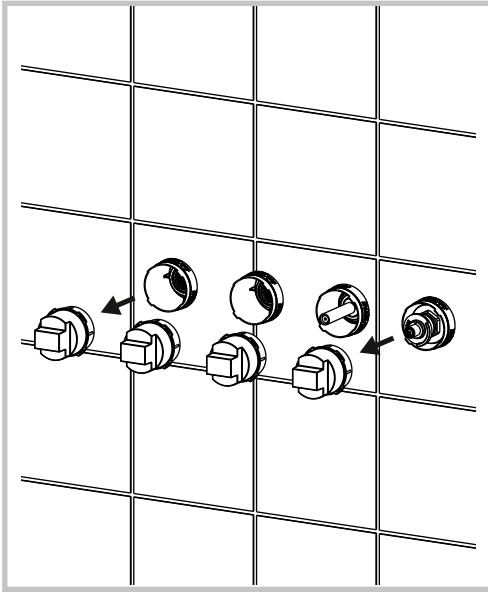


GB MOUNTING ISTRUCTIONS

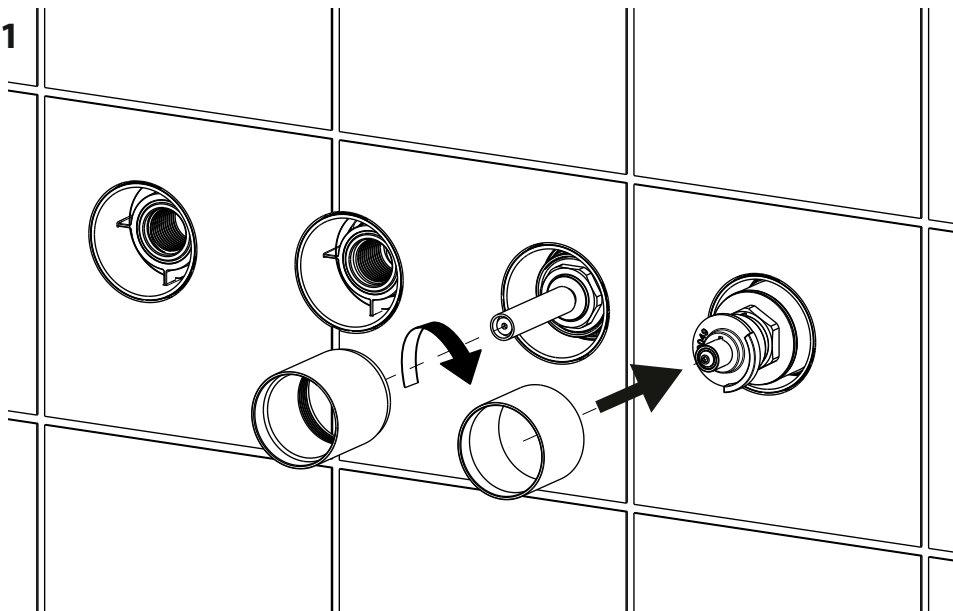


MODULE 2 CONTROL TRIMSET WITH  
BATH SPOUT & HANDSHOWER

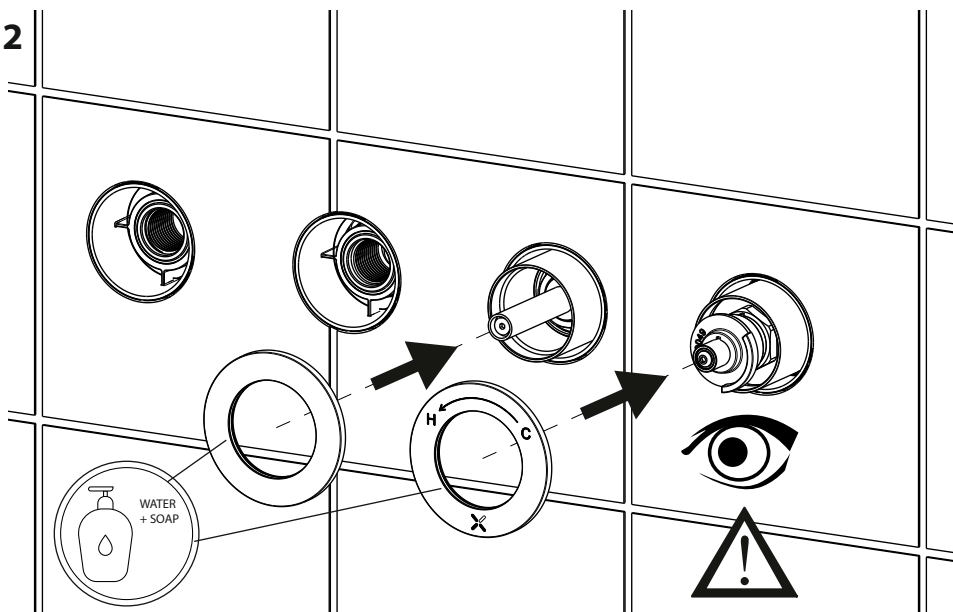


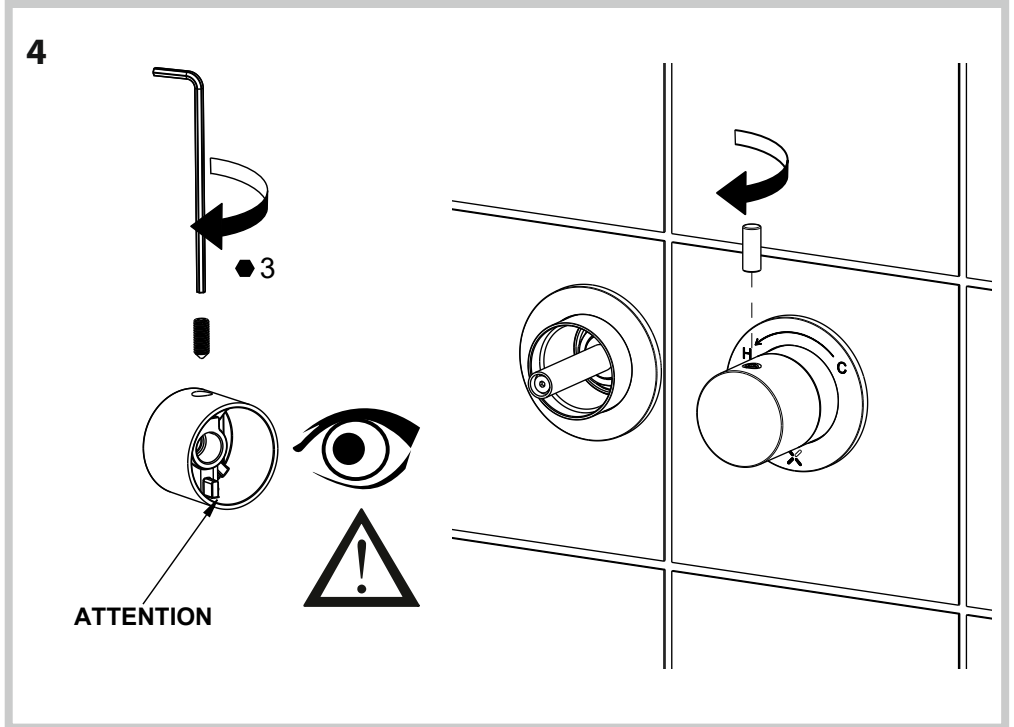
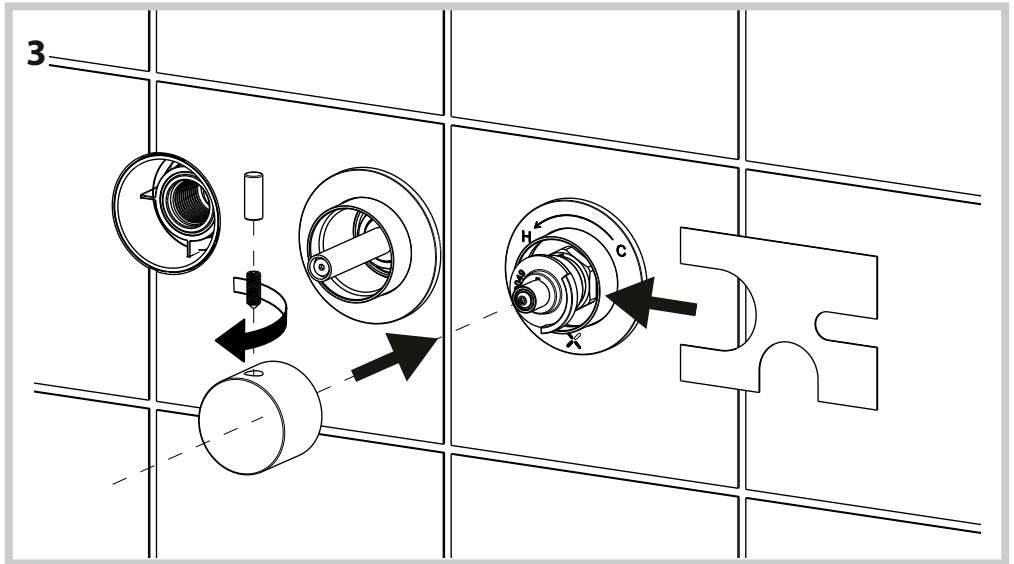


1



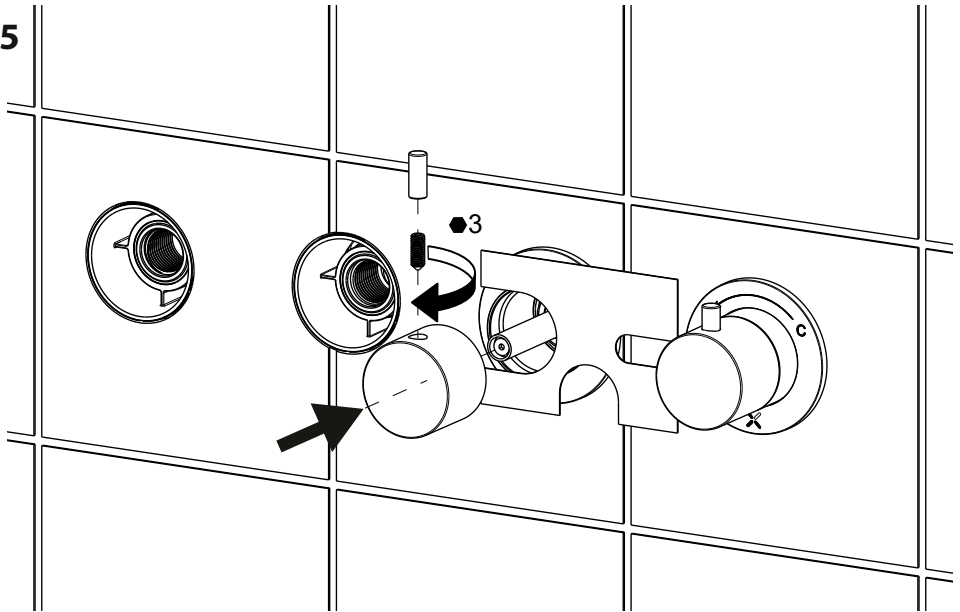
2



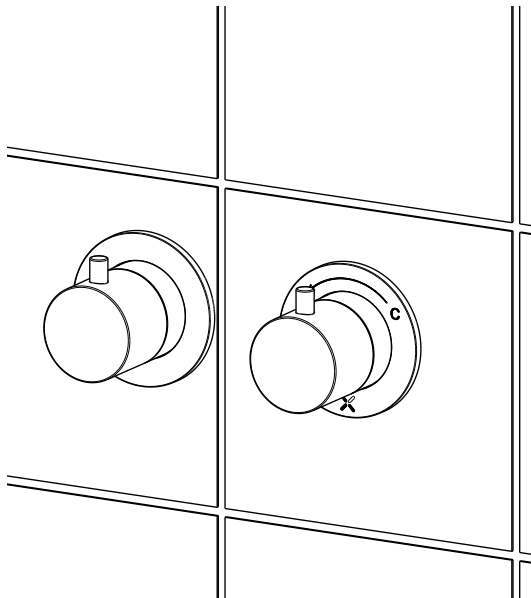
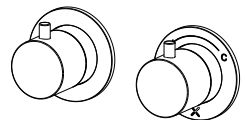




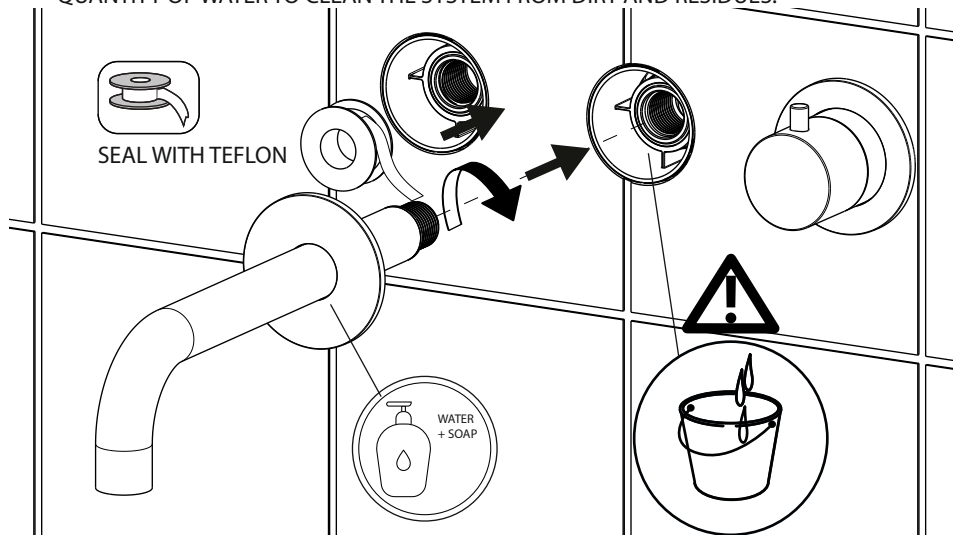
5



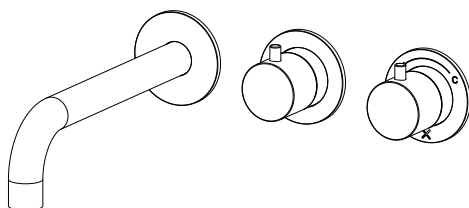
6

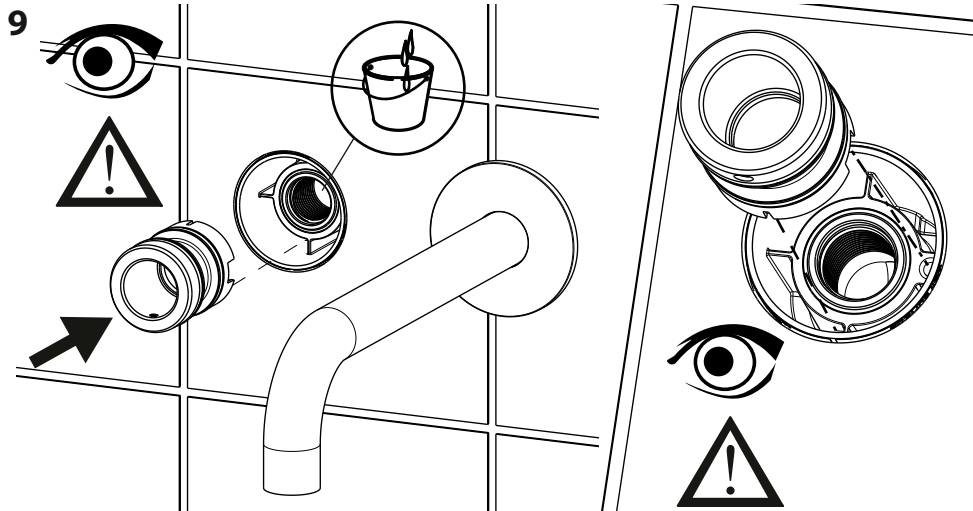
**OK**

- 7** ATTENTION: CHECK THE CLEANING OF THE INDICATED AREAS BEFORE PROCEEDING WITH THE INSTALLATION OF THE AESTHETIC PARTS, DRAIN A GOOD QUANTITY OF WATER TO CLEAN THE SYSTEM FROM DIRT AND RESIDUES.

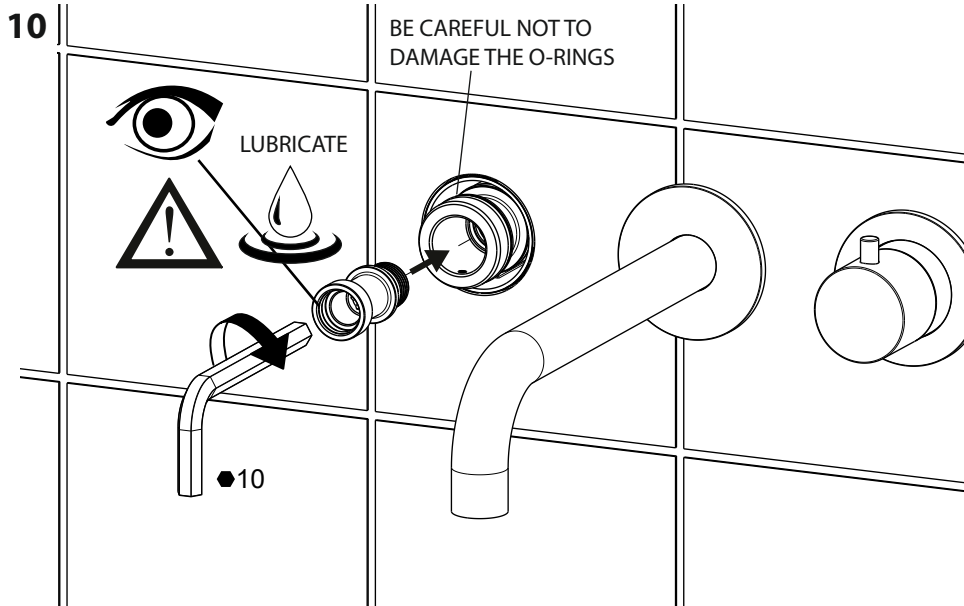


- 8**
- 
- ORIENT AND LOCK THE SPOUT
- OK

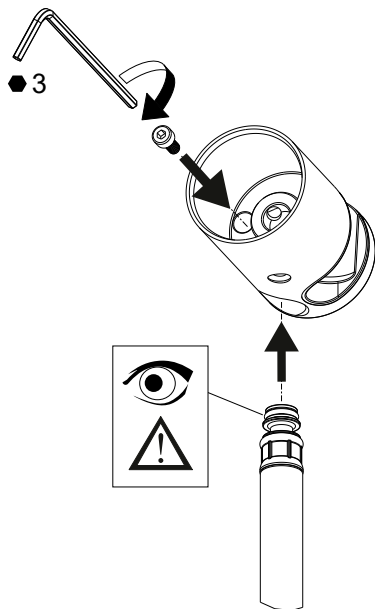




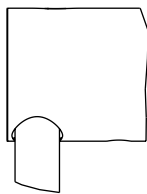
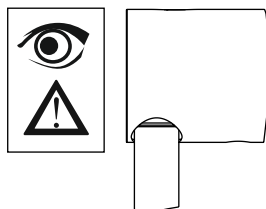
ATTENTION: CHECK THE CLEANING OF THE INDICATED AREAS BEFORE PROCEEDING WITH THE INSTALLATION OF THE AESTHETIC PARTS, DRAIN A GOOD QUANTITY OF WATER TO CLEAN THE SYSTEM FROM DIRT AND RESIDUES.



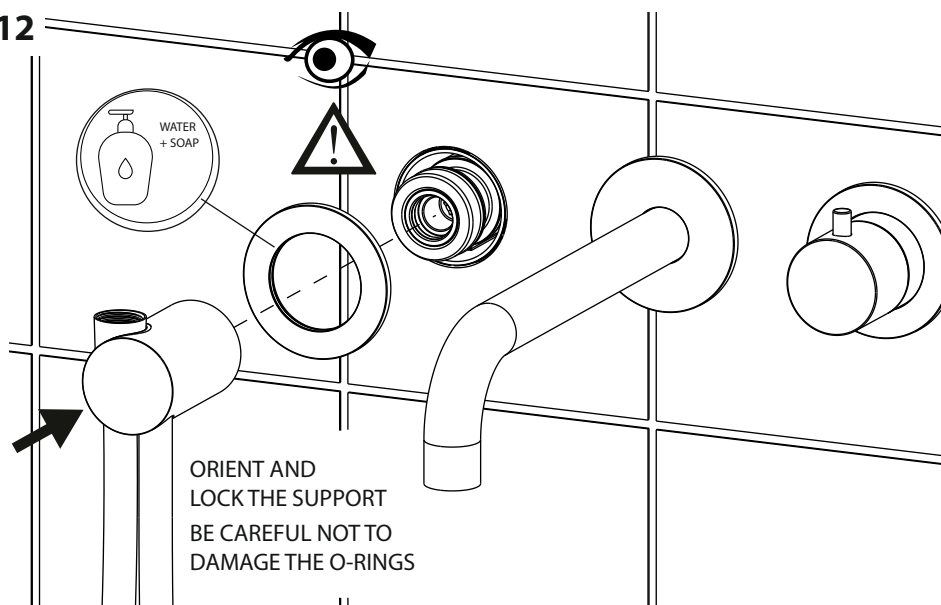
11



ATTENTION:  
CHECK THE CORRECT POSITION OF THE HOSE

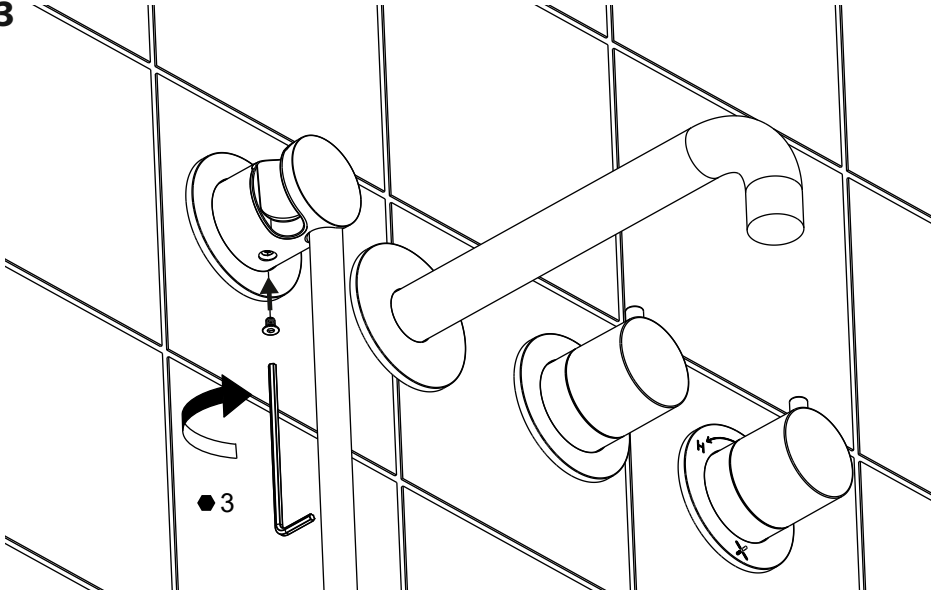
**OK****NOT OK**

12

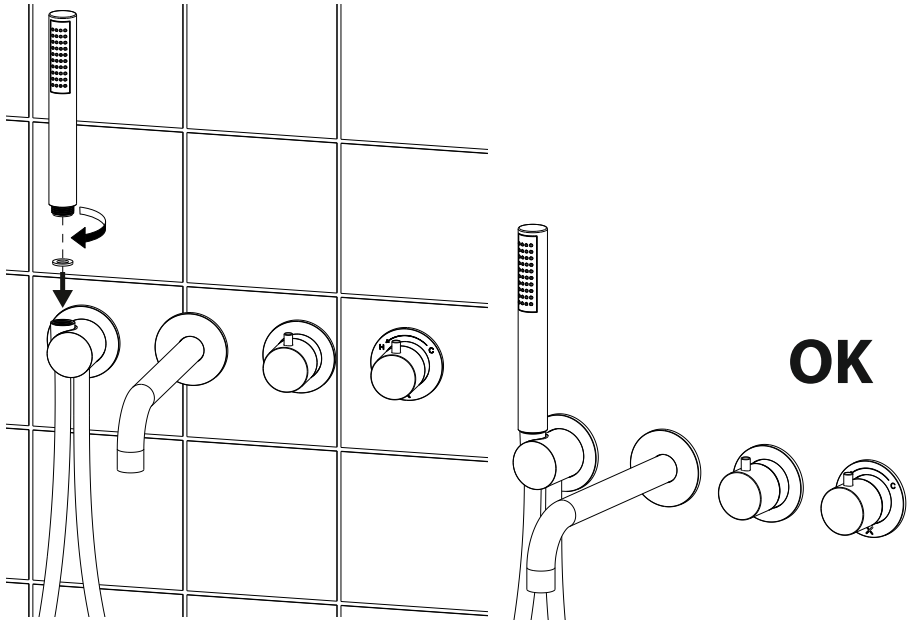


ORIENT AND  
LOCK THE SUPPORT  
BE CAREFUL NOT TO  
DAMAGE THE O-RINGS

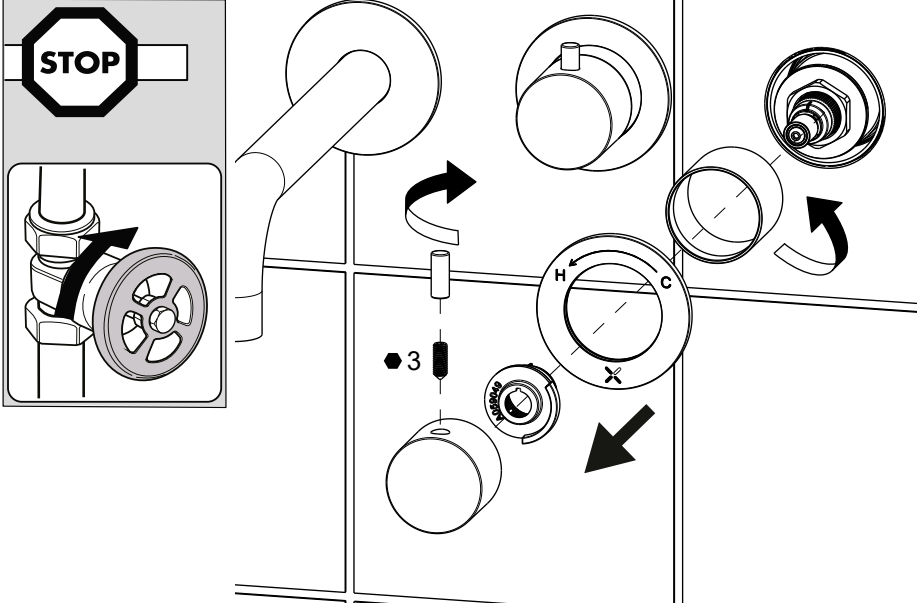
13



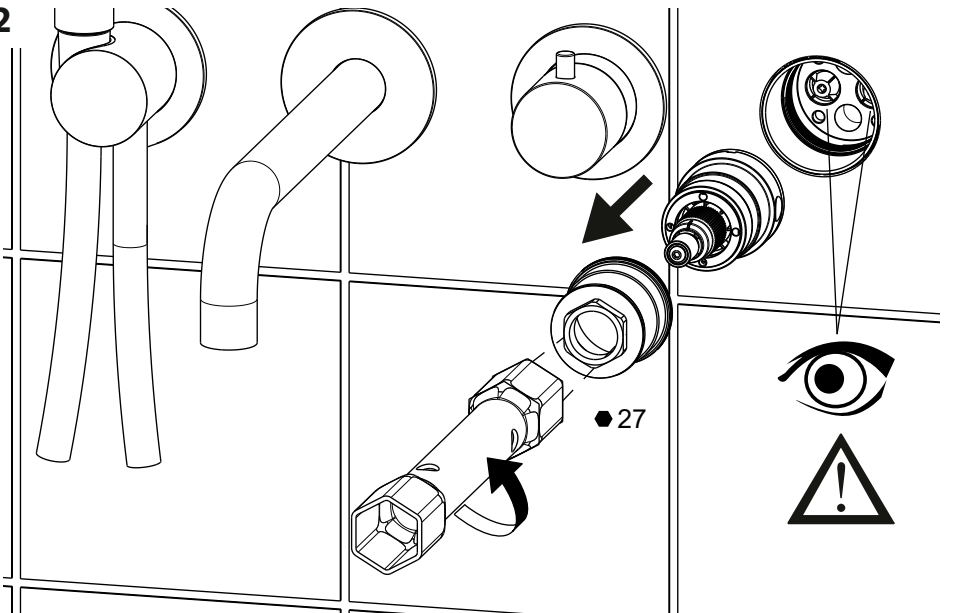
14

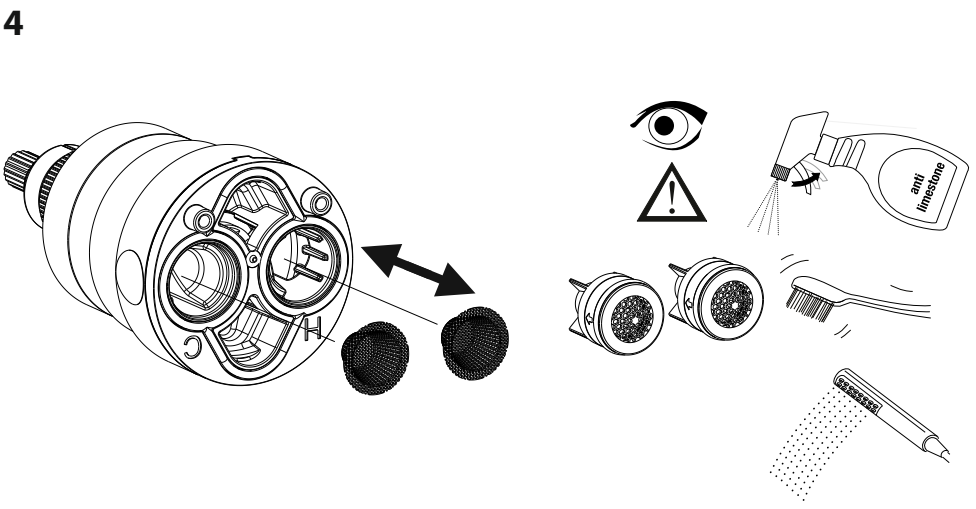
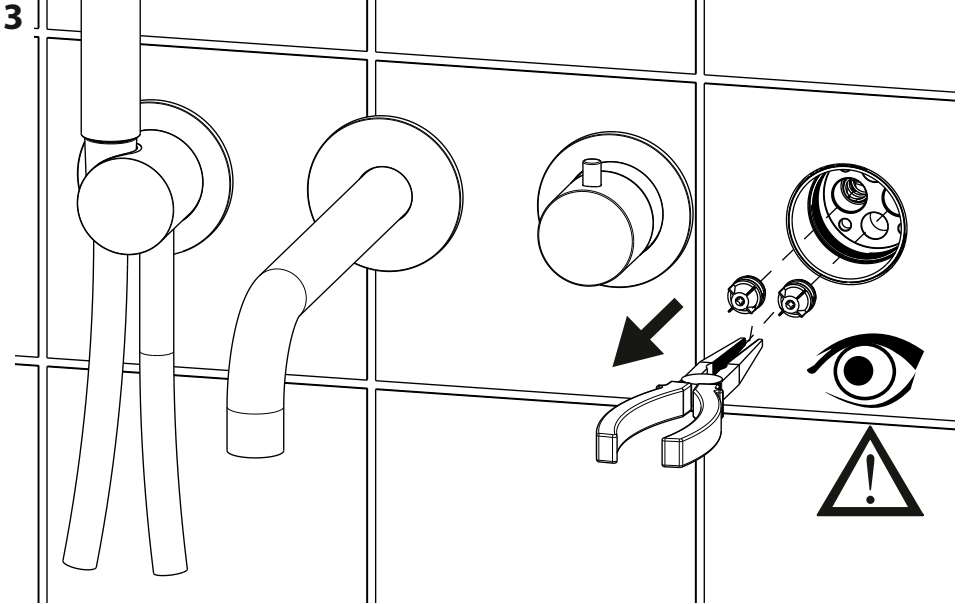


1



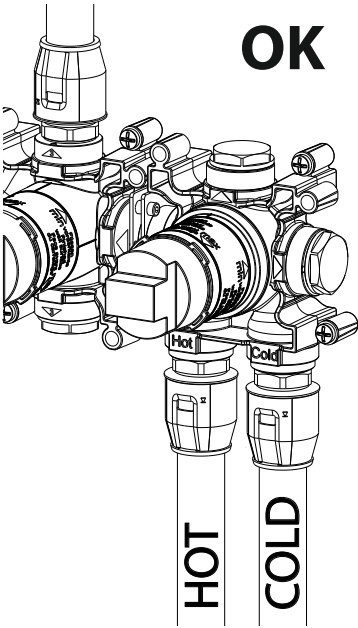
2



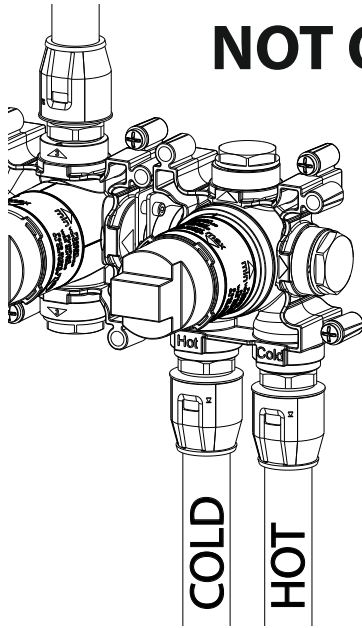


5

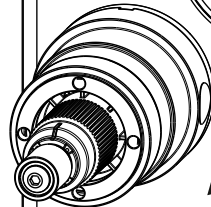
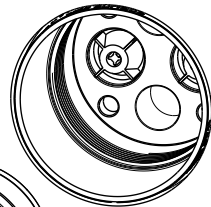
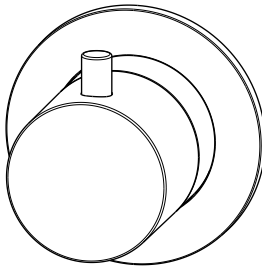
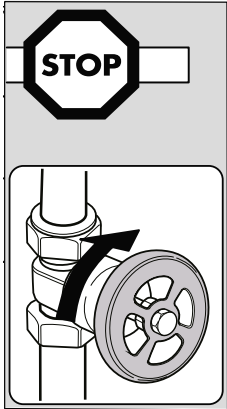
**OK**



**NOT OK**



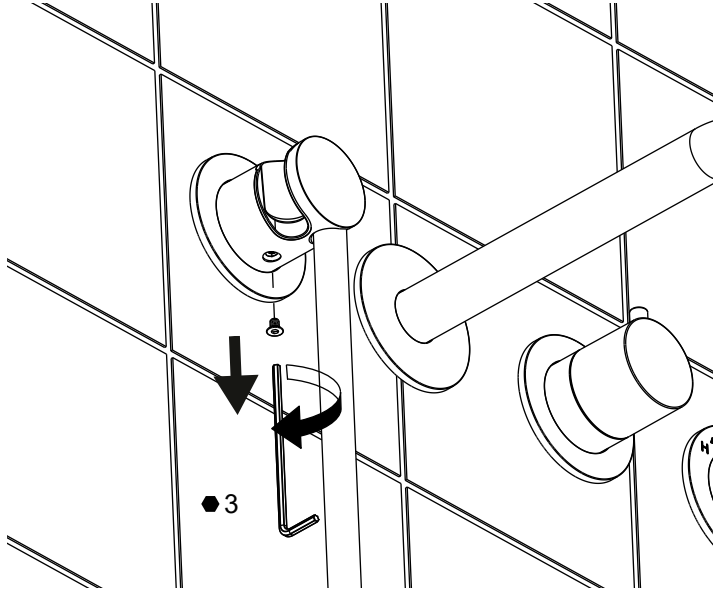
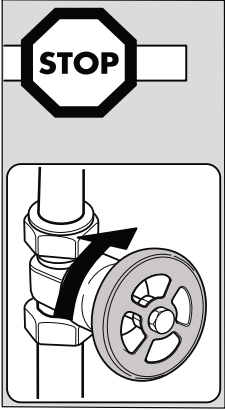
6



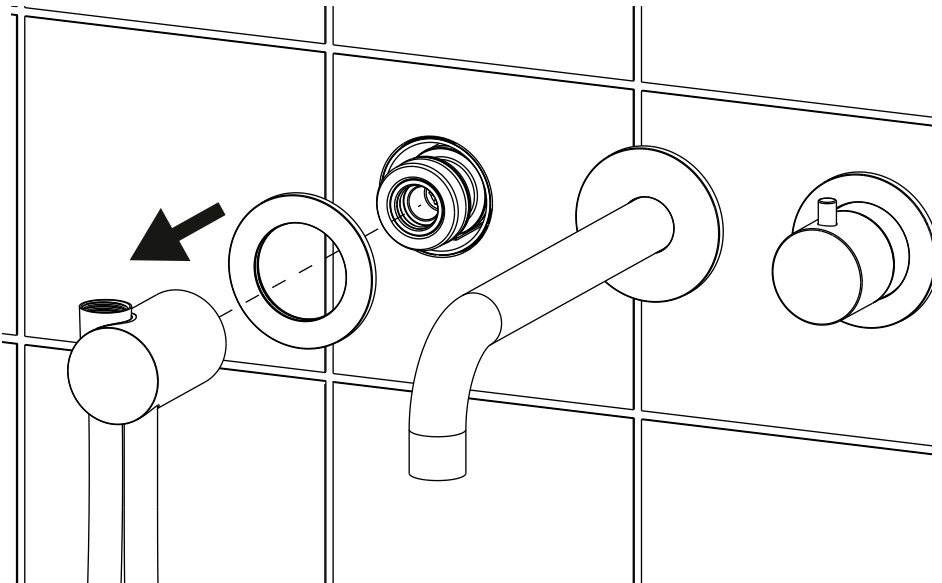
**ROTATE 180°**



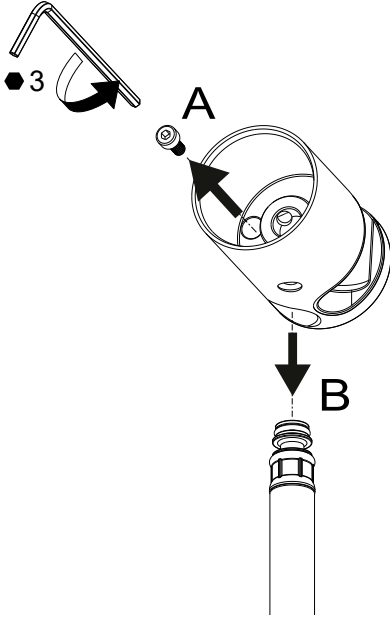
7



8



9



**REPLACE THE FLEX HOSE  
AND START FROM POINT 11**



