

## Installation Instructions

First shut off your water heating system then, with your mains stop cock closed, open the lowest hot and cold taps in the house and allow to run until the cold storage tank and pipes are empty (the hot water storage cylinder always remains full).

Fitting isolating valves to the inlet feeds is recommended for ease of maintenance. **Remember to turn off the mains water supply before connecting to any existing pipe work.**

A recess must be made in the wall to accommodate the rough and flexible hoses. Place the rough in position (between 42 and 58 mm from the face of the tiles to the back of the rough), check to see if any alterations are needed to the existing pipe work. Secure the set into the recess in the wall.

Connect the water supply to the tap with hot water on the bottom and cold on the right. (When viewed from the front).

Place the tiles, while leaving space for the spout.

Fit the spout into the connector of the rough, confirming the spout exit is aligned downwards vertically. then secure it firmly with set screw.

Slide wall ring over the cartridge cover and secure handle.

### ATTENTION

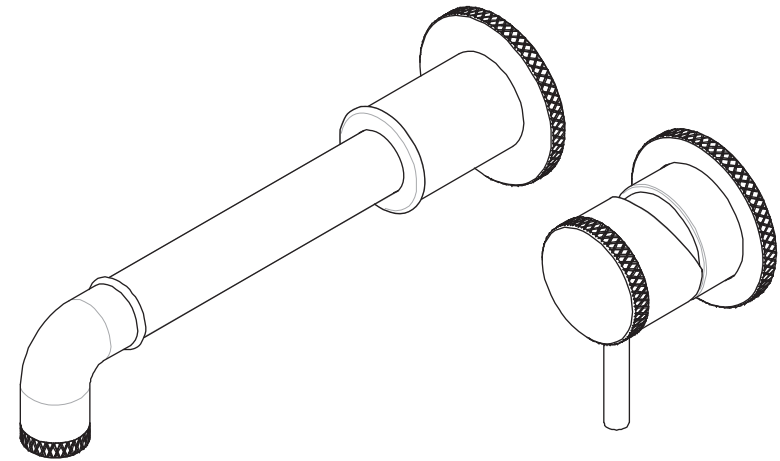
Having first check all new connections, turn on the main stop cock, close all taps except the monobloc and as system starts to refill check for leaks.

Once you have satisfied yourself that there are no leaks, switch on the water heating.

## Warranty

All Crosswater products come with a limited lifetime warranty. For full details, terms and conditions please contact Crosswater on: **0345 873 8840** or visit our web-site at [www.crosswater.co.uk](http://www.crosswater.co.uk)

The manufacturer reserves the right to make technical modifications without prior notice.



## Installation Instructions

# 2 Hole Wall Mounted Basin PRI120WNC/UB

## Introduction

**IMPORTANT:** Please read these instructions carefully before you begin and retain for future reference. These instructions have been prepared for your guidance, you must exercise due care at all times.

We do not accept responsibility for any problems that may occur through incorrect installation.

## Installation Notes

### General Installation Guide

This guide contains all the necessary fitting information for the tap. Please read all the instructions carefully before beginning the installation. Care taken during installation will ensure long life and trouble free operations from the tap.

Before installing the new mixer, it is essential that you thoroughly flush through the supply pipes in order to remove any remaining swarf, solder or other impurities. Failure to carry this simple procedure could cause problems or damage to the working of the mixer.

**NOTES:** The installation must comply with all plumbing codes including local codes and be installed by a licensed plumbing contractor. This product should only be fitted by a qualified plumber to NVQ (National Vocational Qualification) or SNVQ (Scottish National Vocational Qualification) Level 3. Should the installation be completed by a non-qualified person then the warranty may be considered invalid.

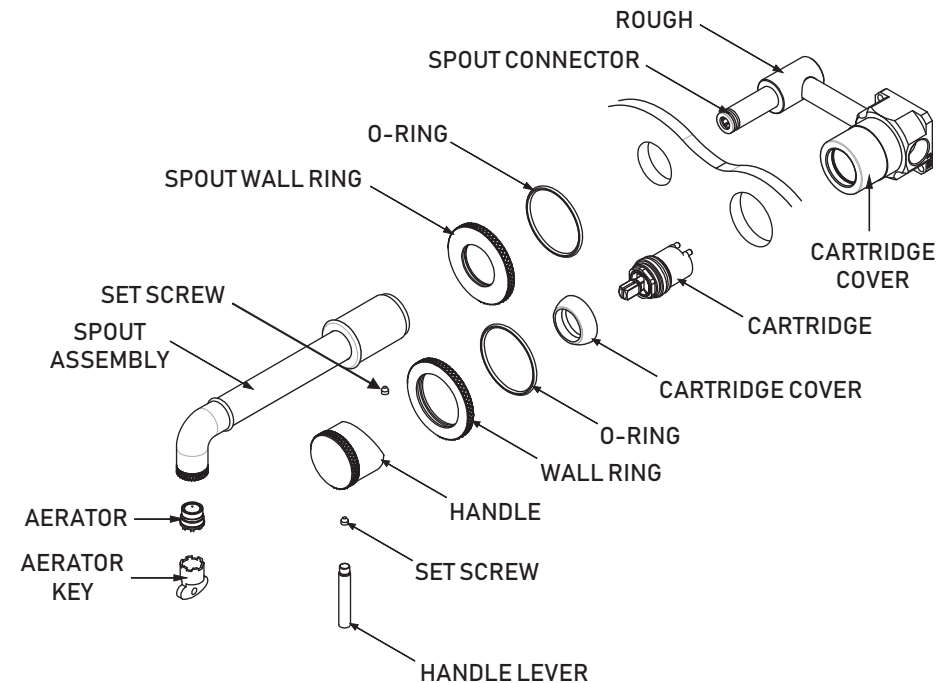
For further information or to find a qualified installer in your area please visit the Institute of Plumbers website - [www.iphe.org.uk](http://www.iphe.org.uk)

## Cleaning

The protective finish we use on our taps is very durable, nevertheless care should be taken when cleaning them.

They should be cleaned only with warm soapy water followed by rinsing with clean water and drying with a soft cloth. All finishes are vulnerable to acid attack and some strong substances such as household cleaners, disinfectants, denture cleaners, hair dyes can cause damage to the surface.

## Parts Supplied



## Dimensions

