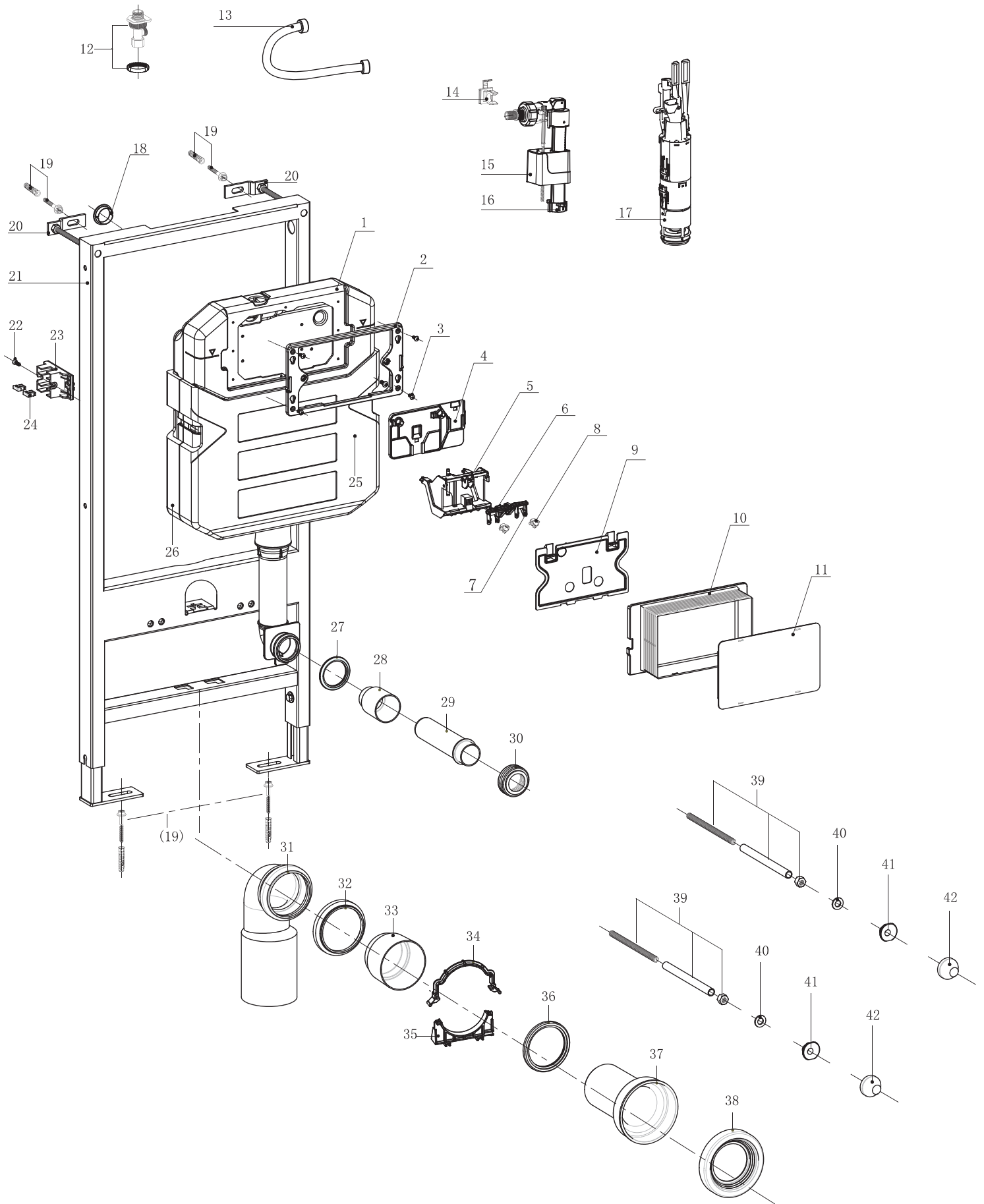


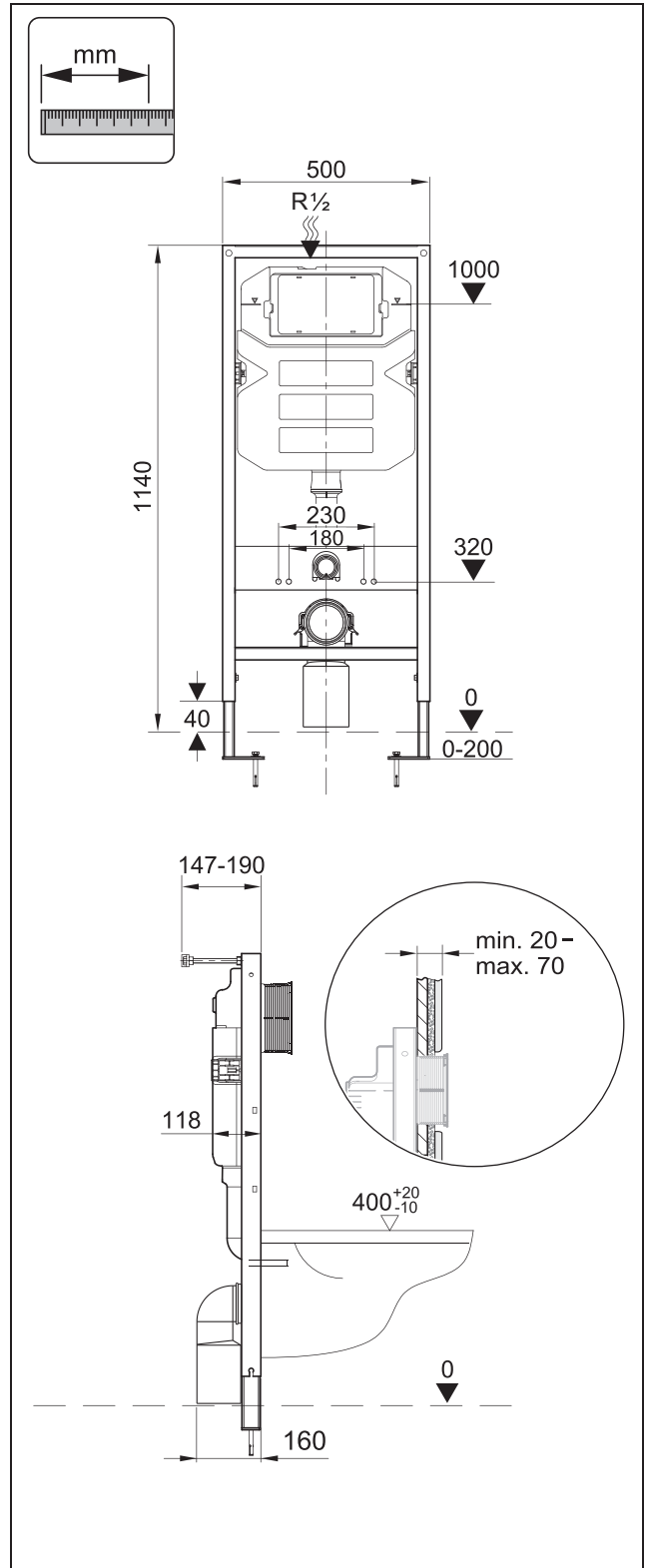
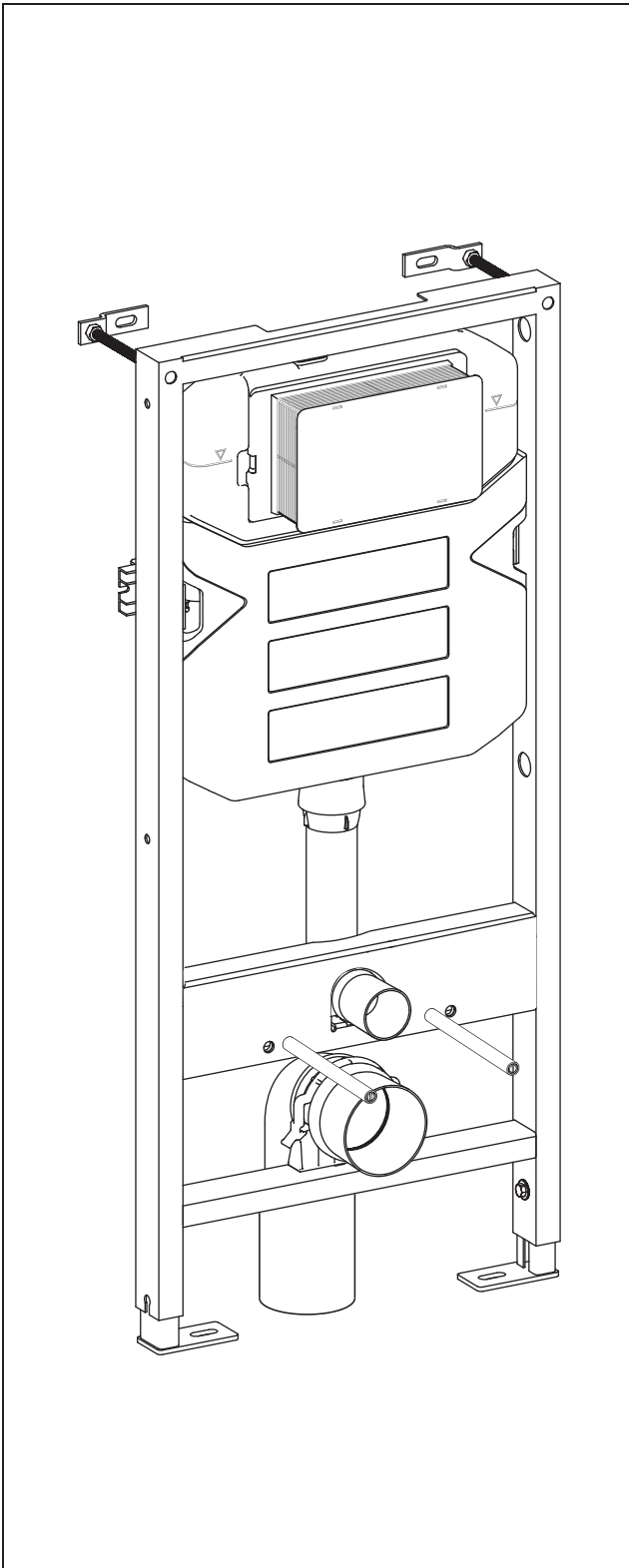
# installation instructions

WCF118X50+



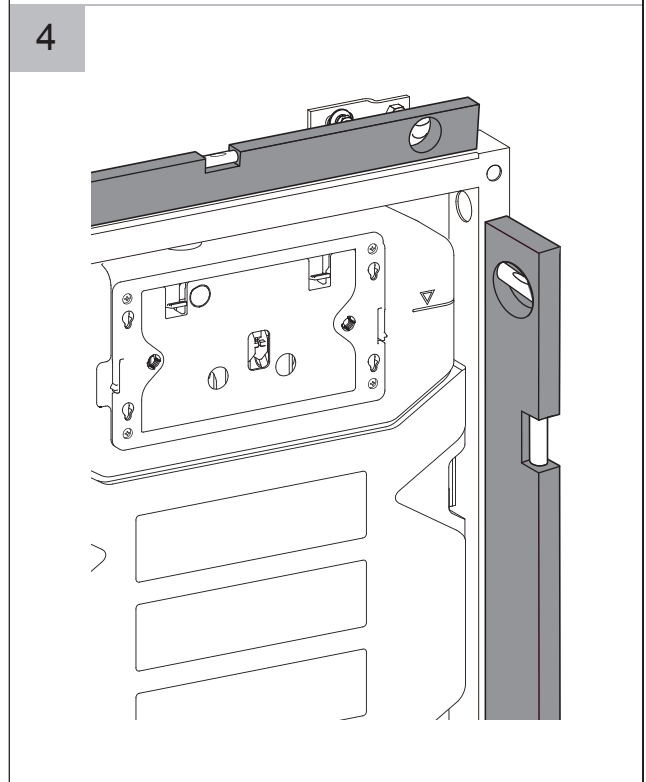
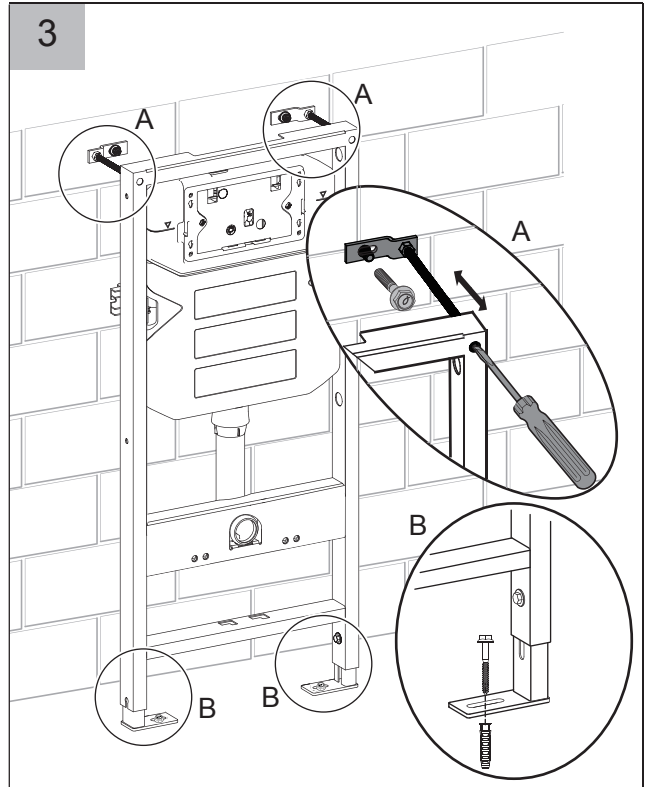
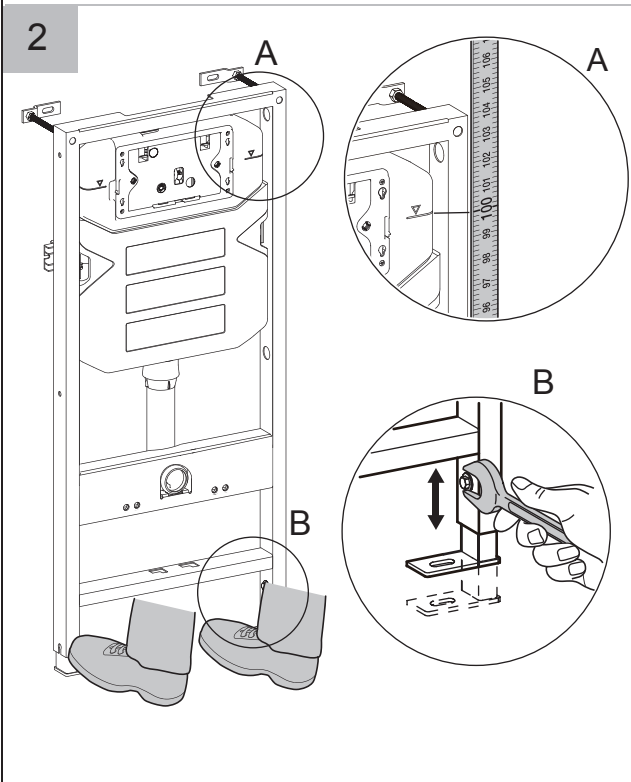
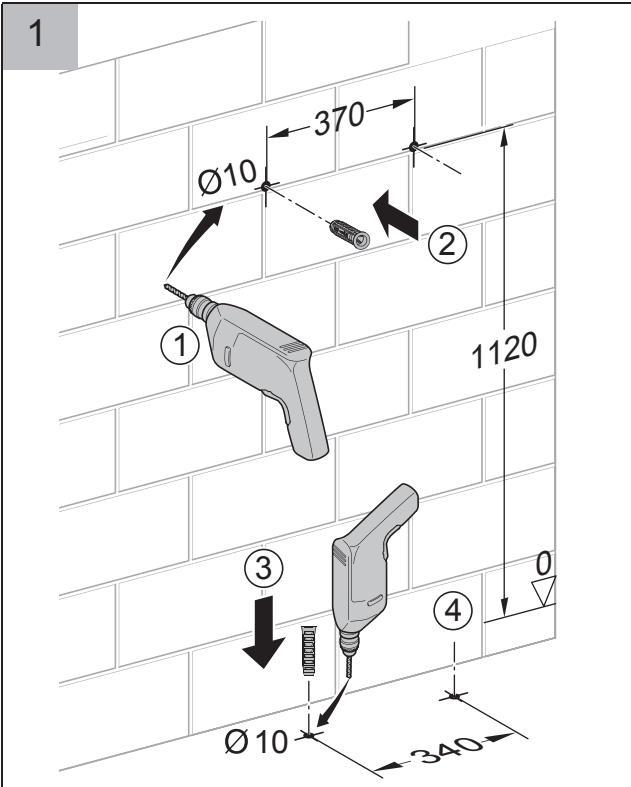
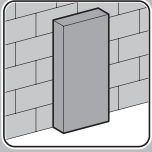
No.	Description	Quantity
1	Tank Component	1
2	Locking Plate	1
3	Screw	4
4	Fixing Plate	1
5	Gearing Bracket	1
6	Full Swing Arm	1
7	Half Swing Arm	1
8	Adjust nut	2
9	Baffle	1
10	Protection bracket	1
11	Protection Cover	1
12	Angle Valve	1
13	Metal hose	1
14	Fill Clip	1
15	Fill Vavle	1
16	Fill Sleeve	1
17	Dual Flush valve	1
18	Inlet Cover	1
19	Expansion bolt	4
20	Wall fixation	2
21	K8024 Frame	1
22	Screw	2
23	Tank Hook	2
24	Buckle	4
25	Foam(Front)	1
26	Foam(Back)	1
27	Seal Ring	1
28	Embedded Part	1
29	Straight Scour	1
30	Seal Sleeve	1
31	Waste Elbow	1
32	Elbow cover	1
33	Embedded Part	1
34	Top Pipe Clip	1
35	Down Pipe Clip	1
36	Seal Ring	1
37	Straight Pipe	1
38	Seal Sleeve	1
39	Bolt Component	2
40	Washer	2
41	Gasket	2
42	Nut Cap	2

560298-1 18-1.4

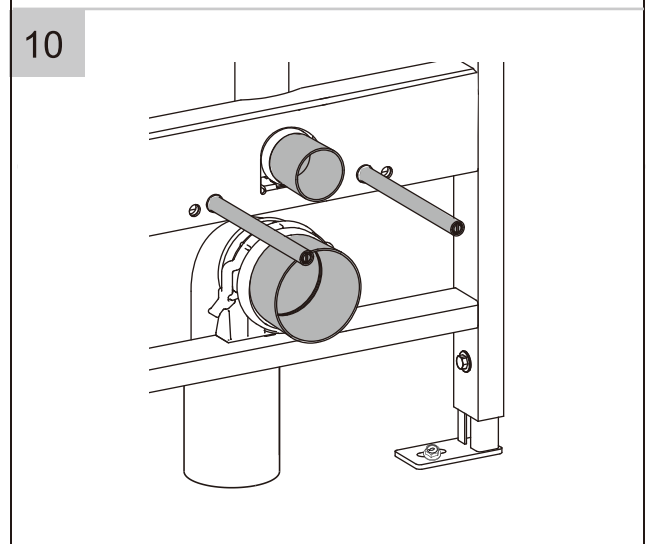
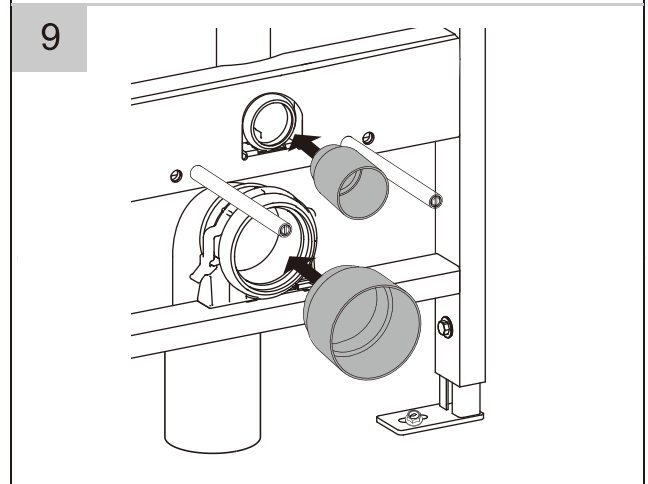
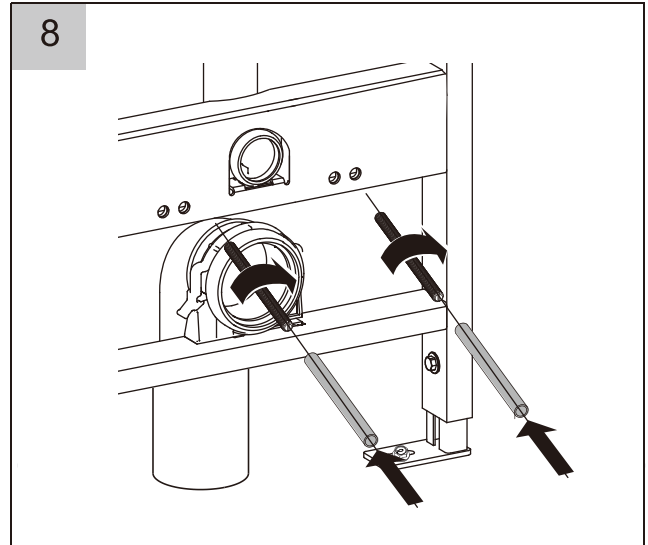
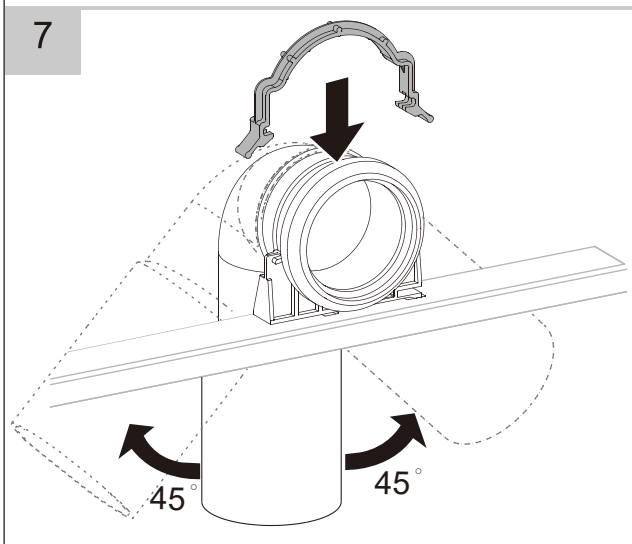
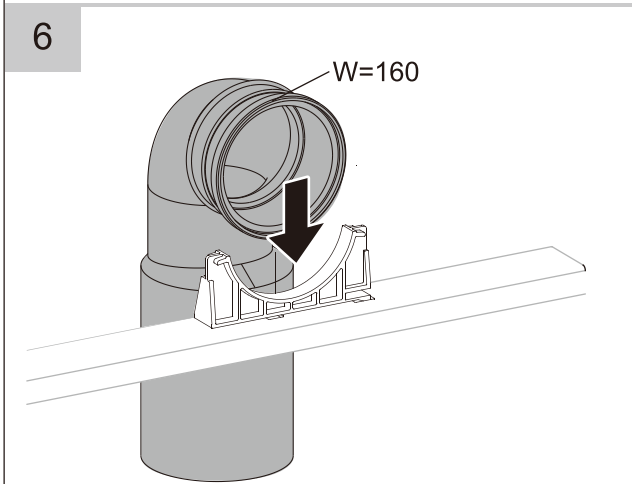
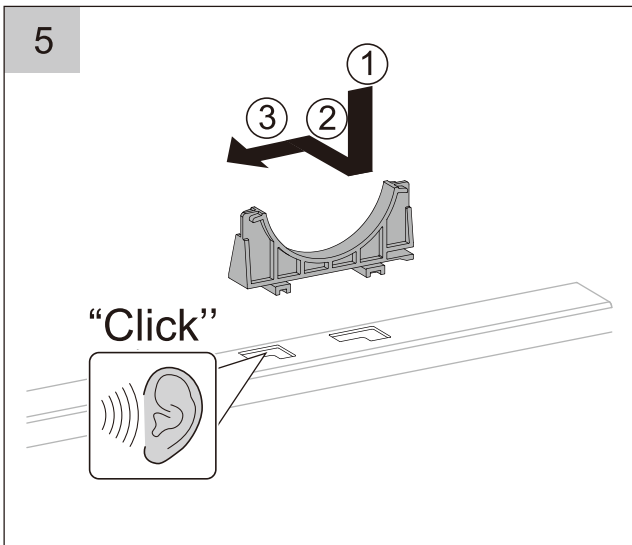




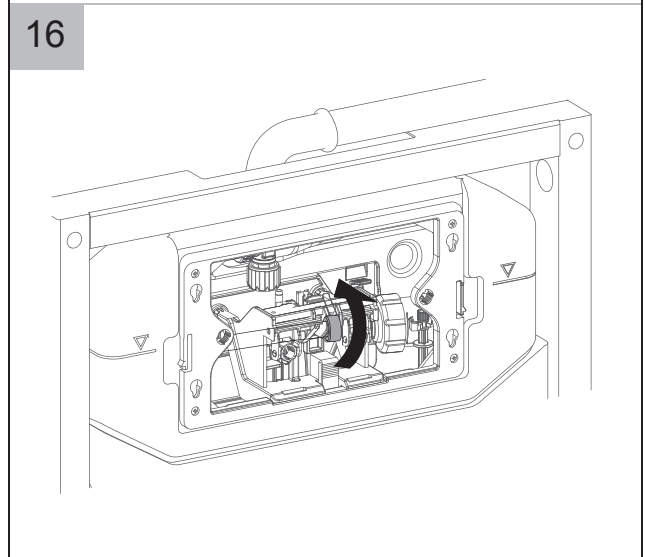
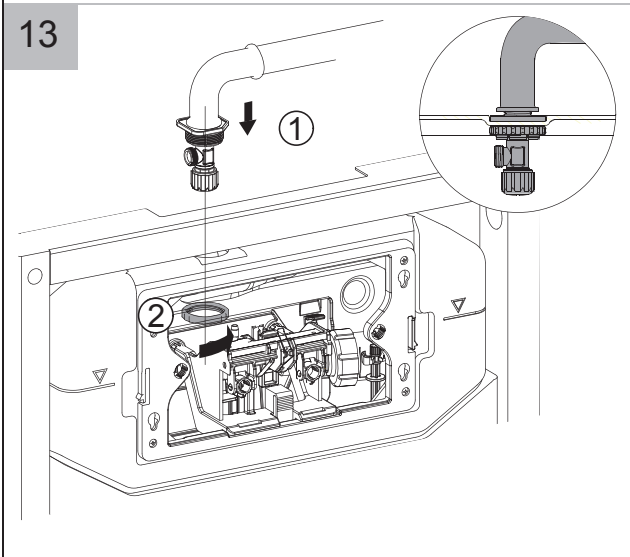
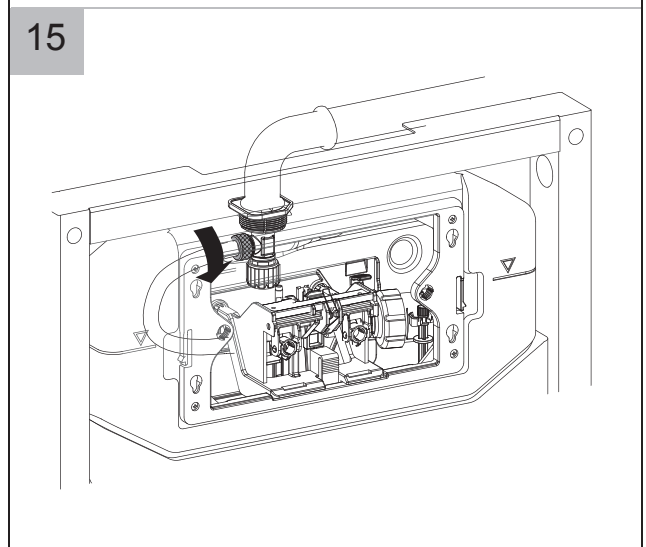
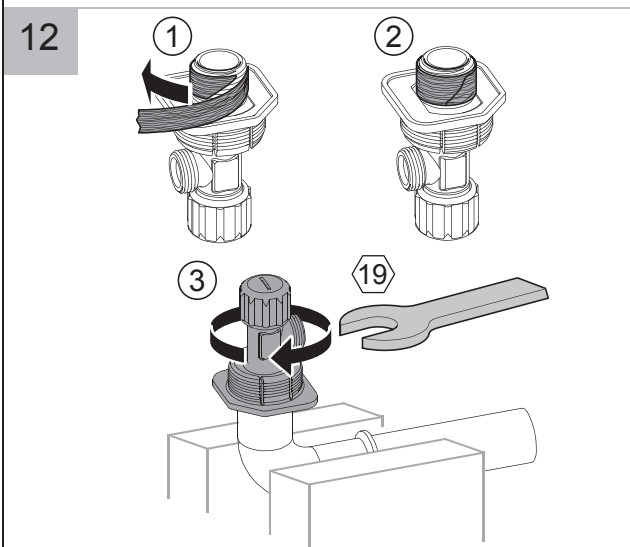
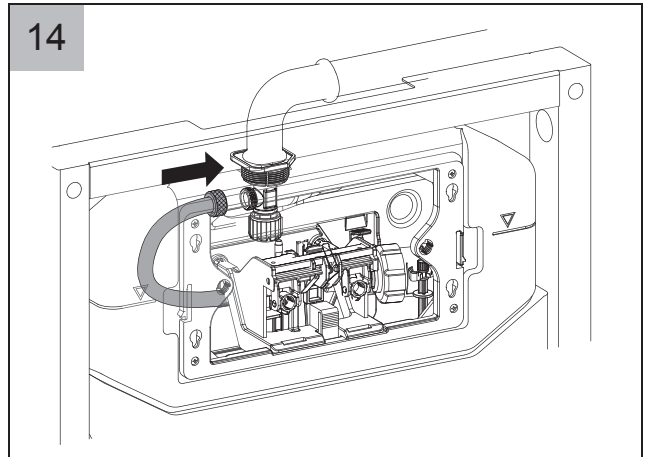
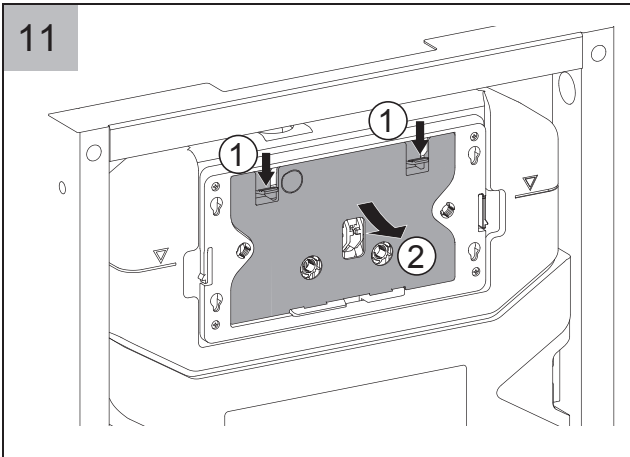
# Installation



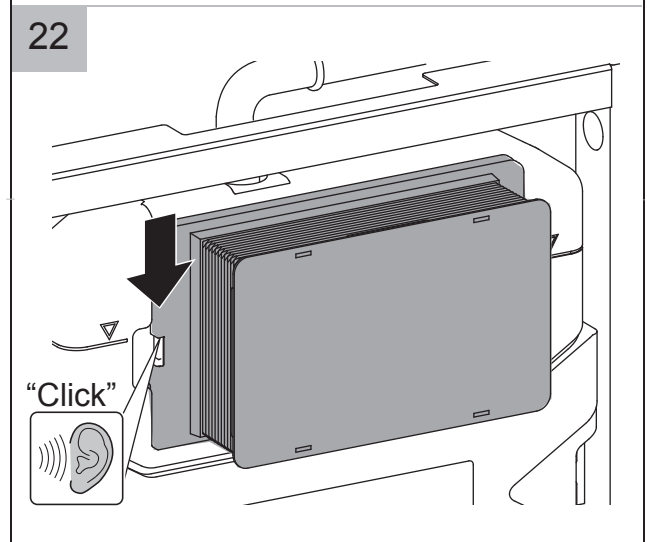
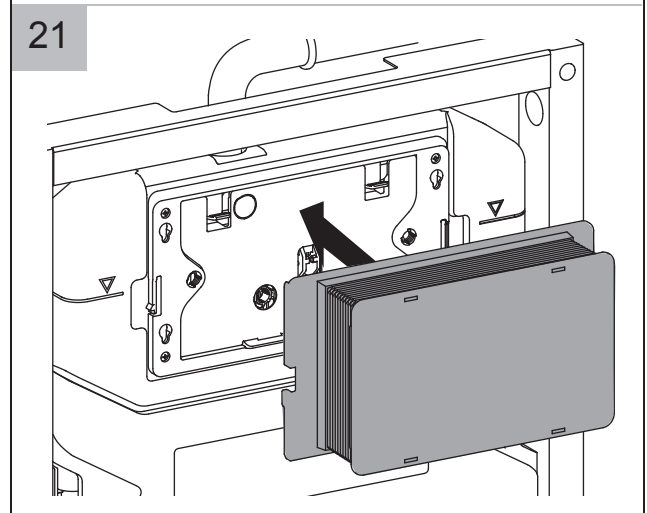
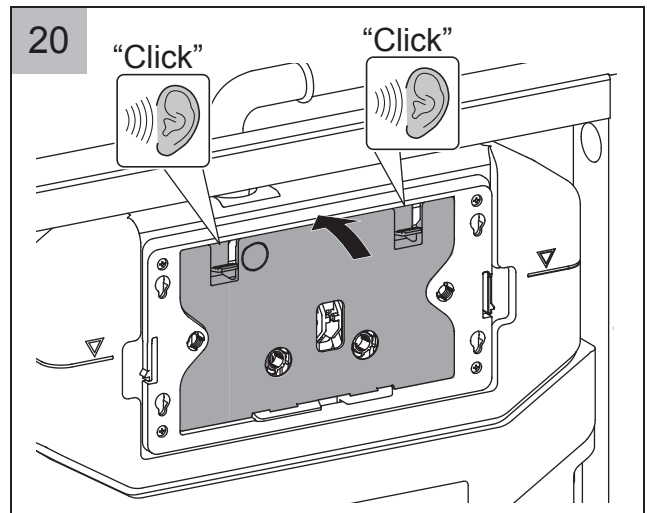
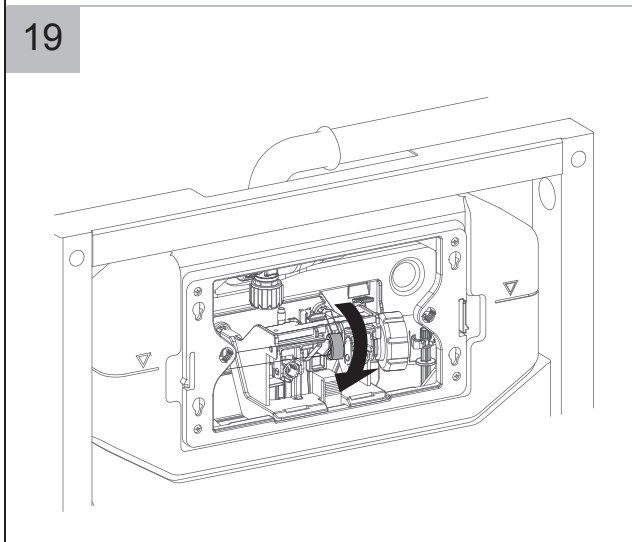
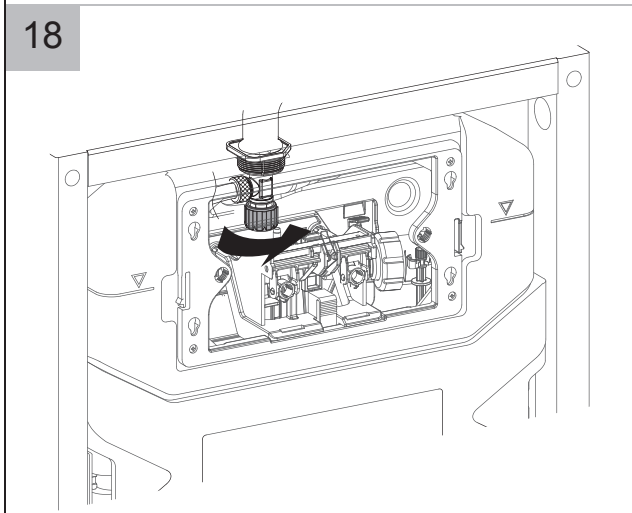
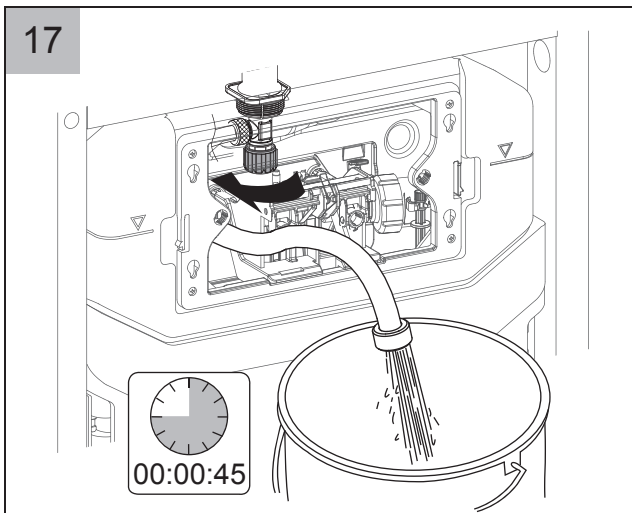
# Installation



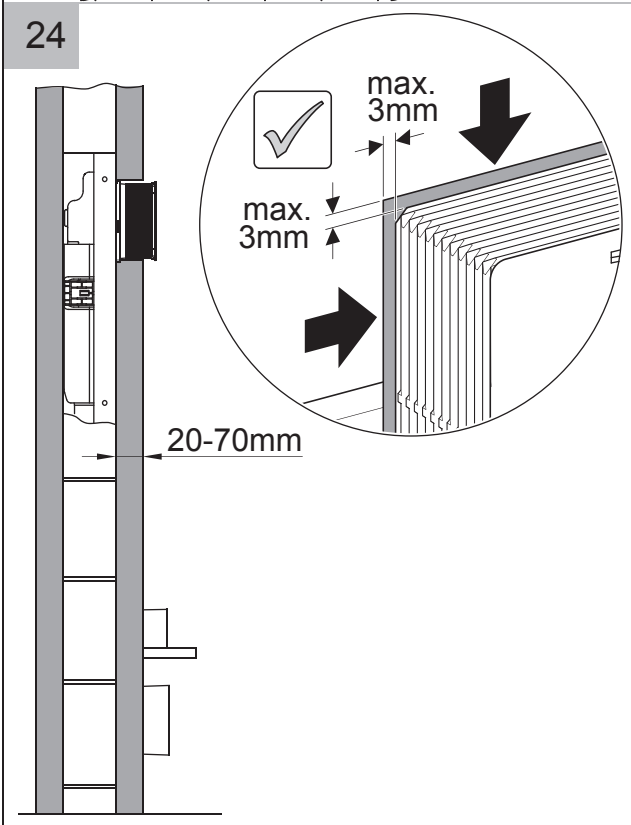
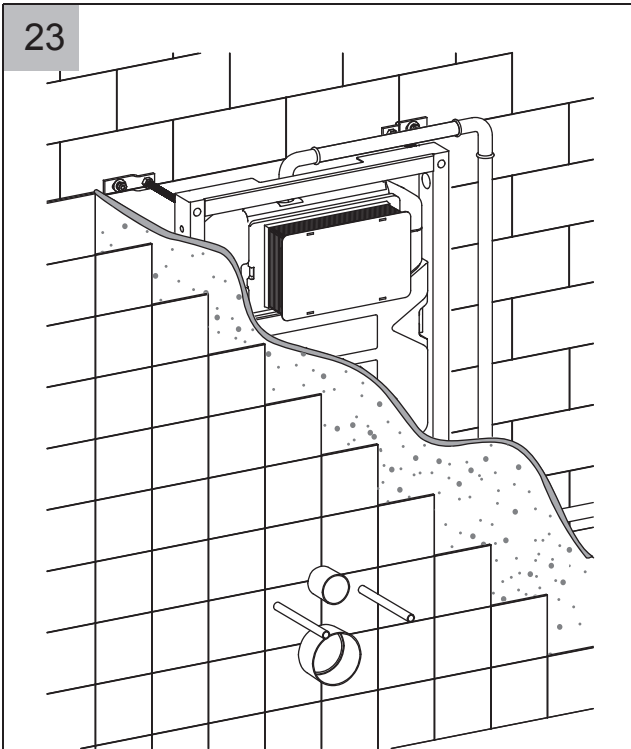
# Installation



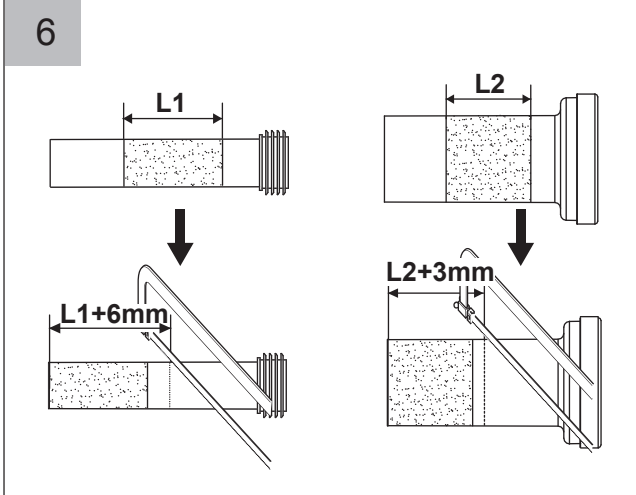
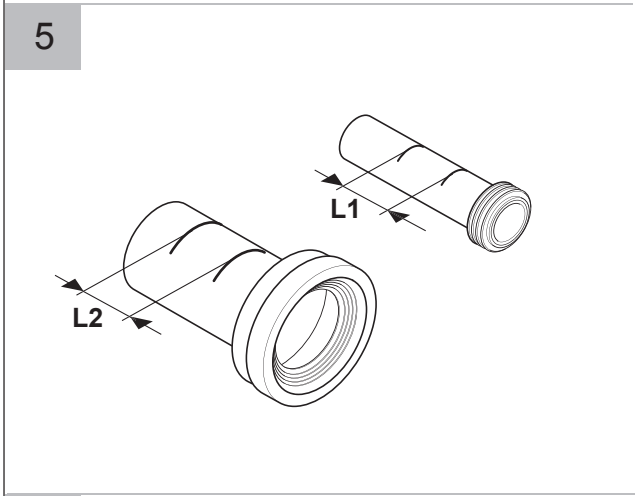
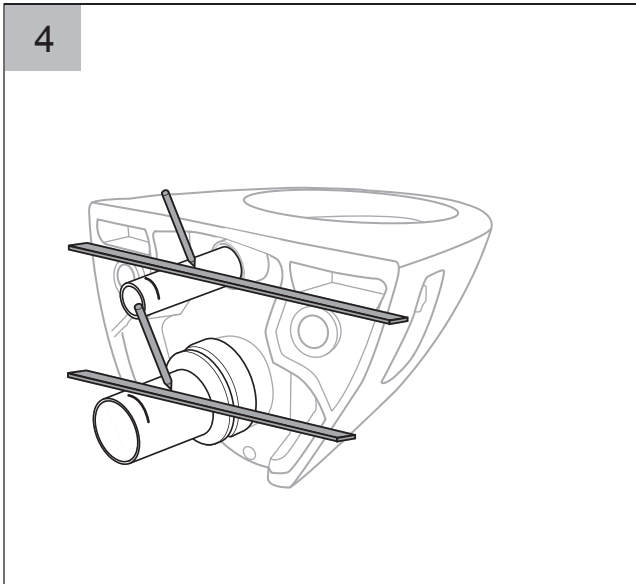
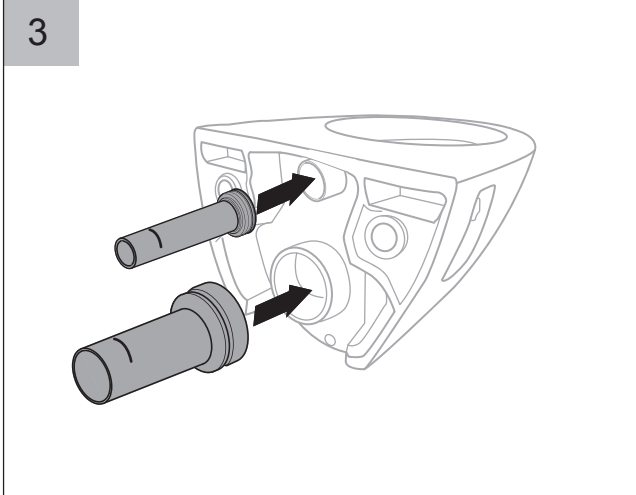
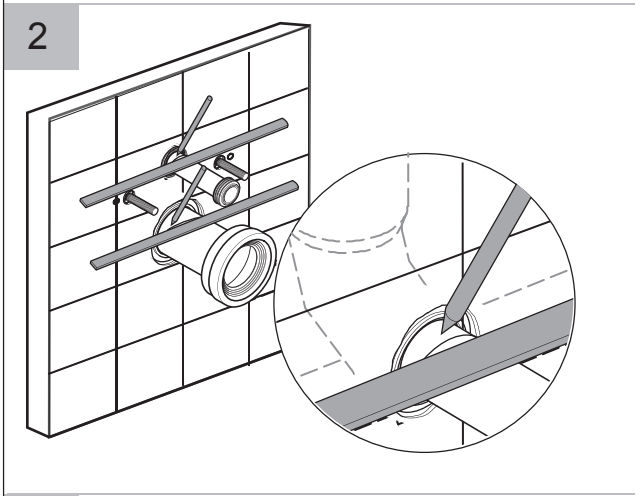
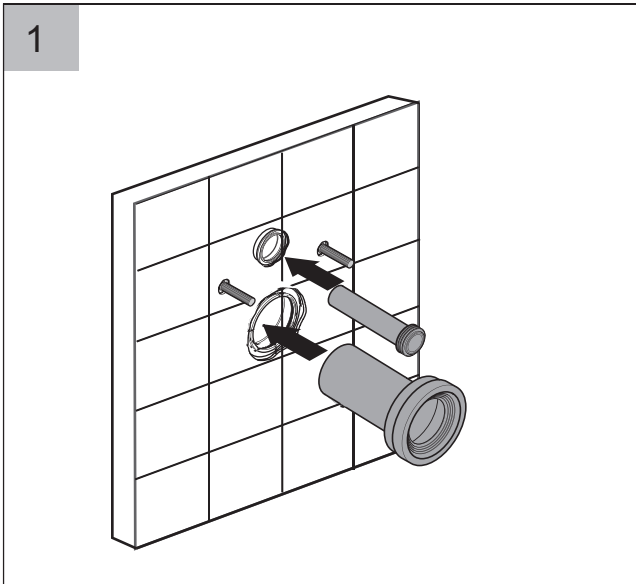
# Installation



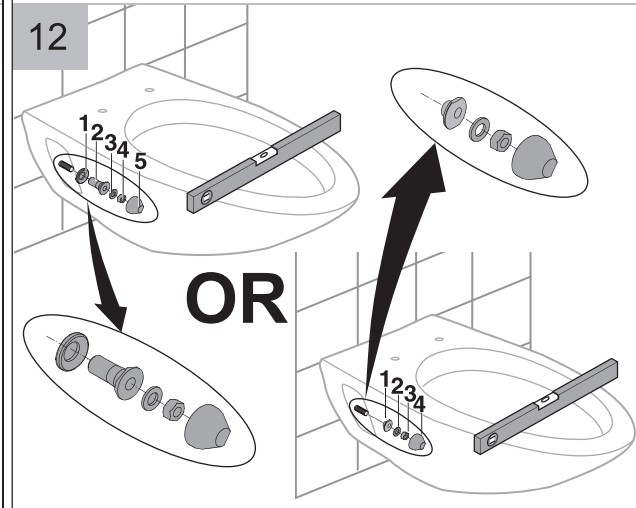
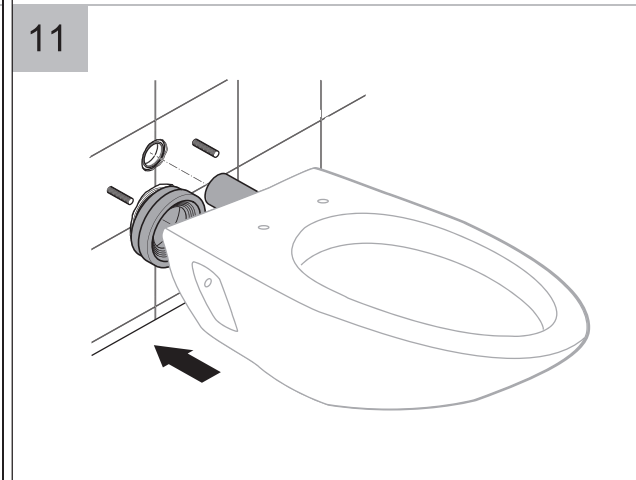
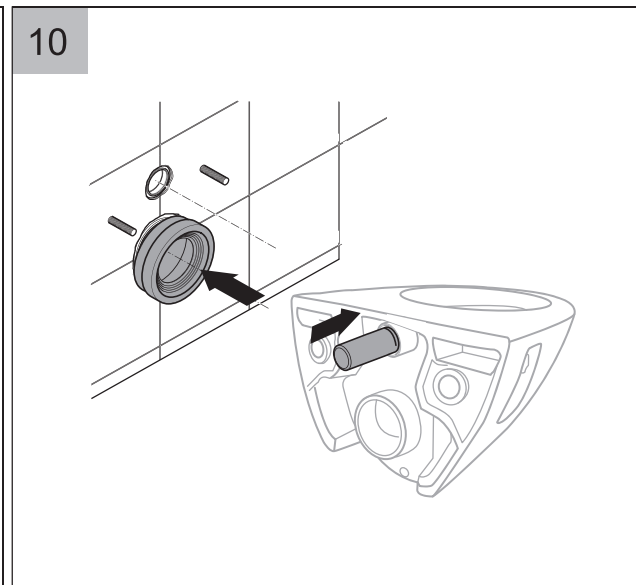
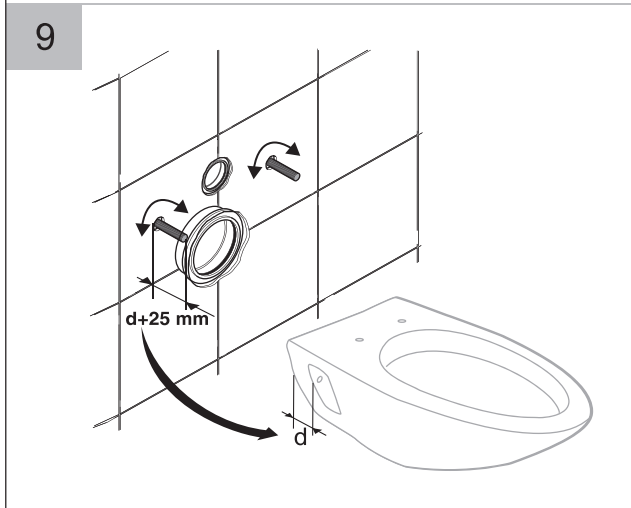
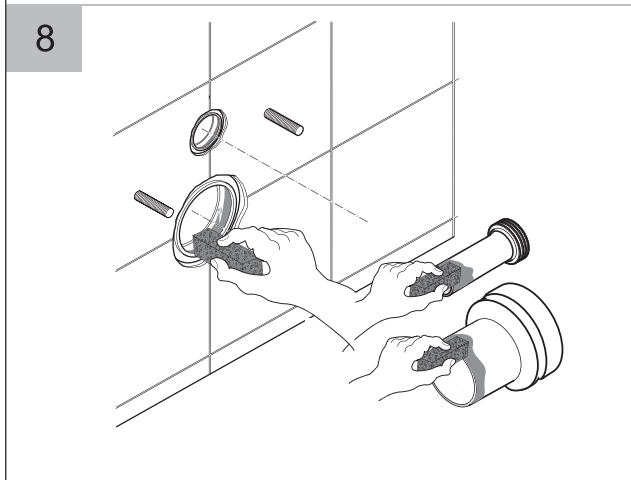
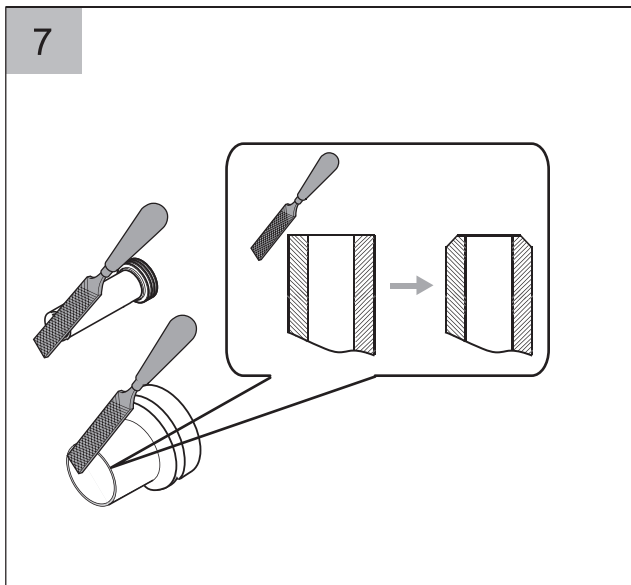
# Installation



# Installation



# Installation



For any further information please contact

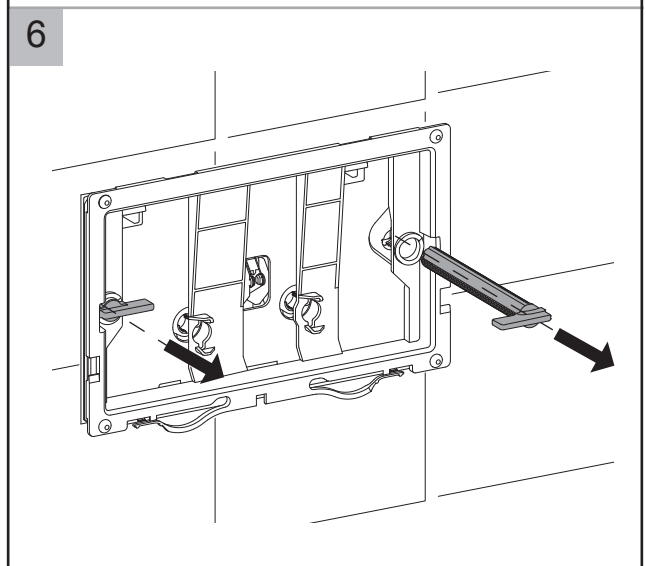
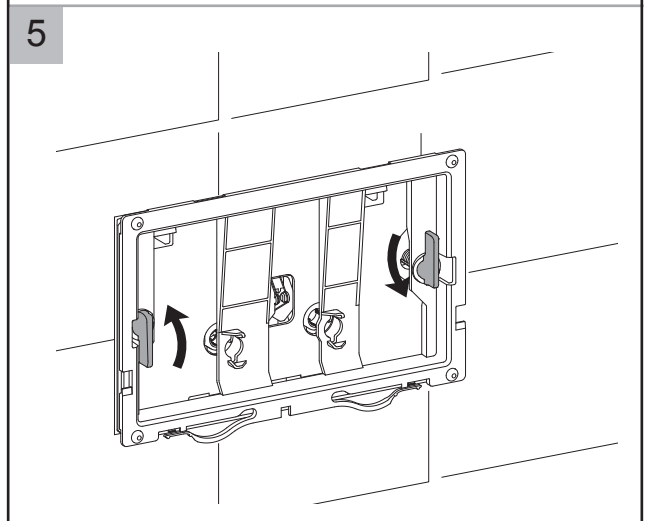
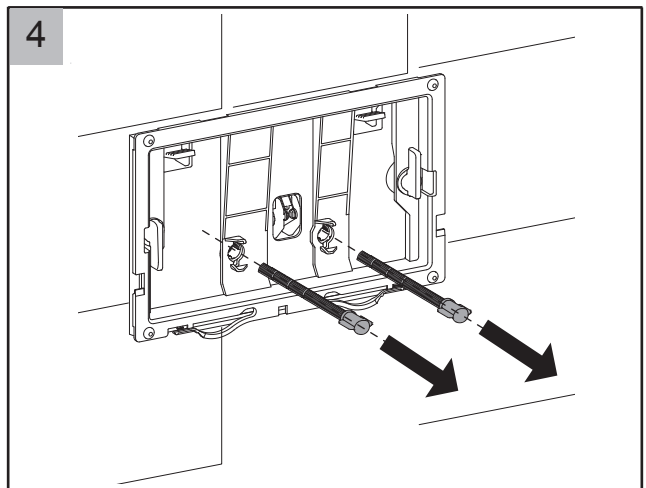
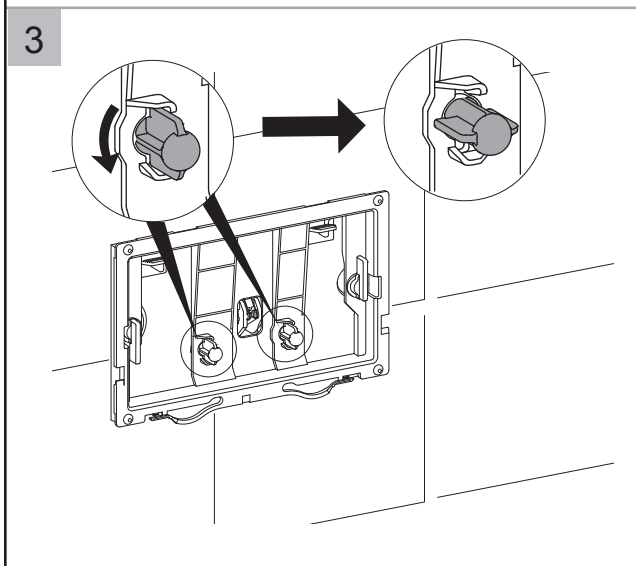
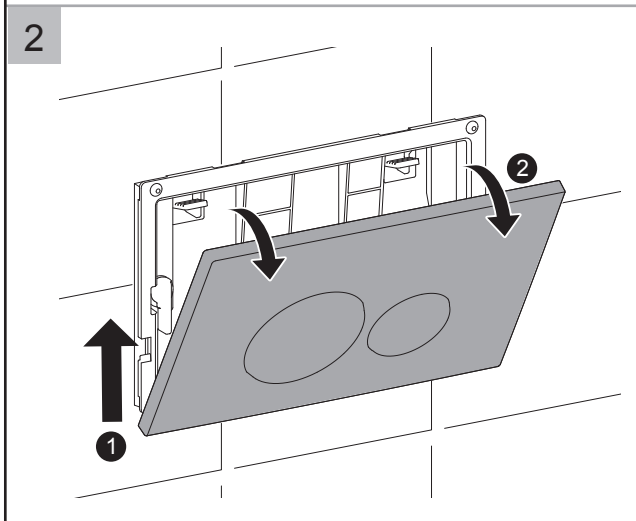
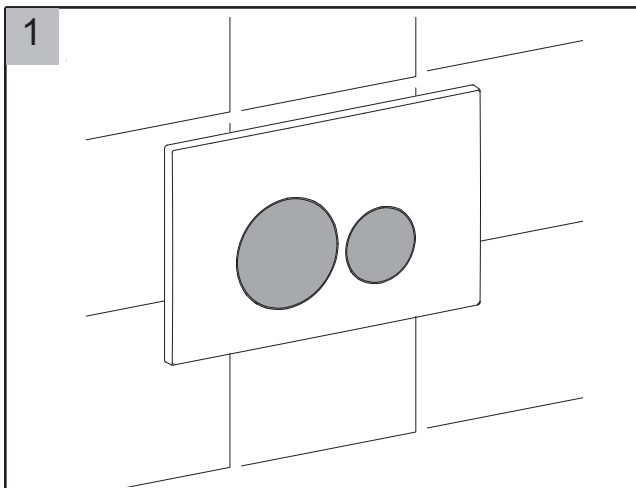
Crosswater on: **0345 873 8840**

Or visit our web-site at:

**[www.crosswater.co.uk](http://www.crosswater.co.uk)**

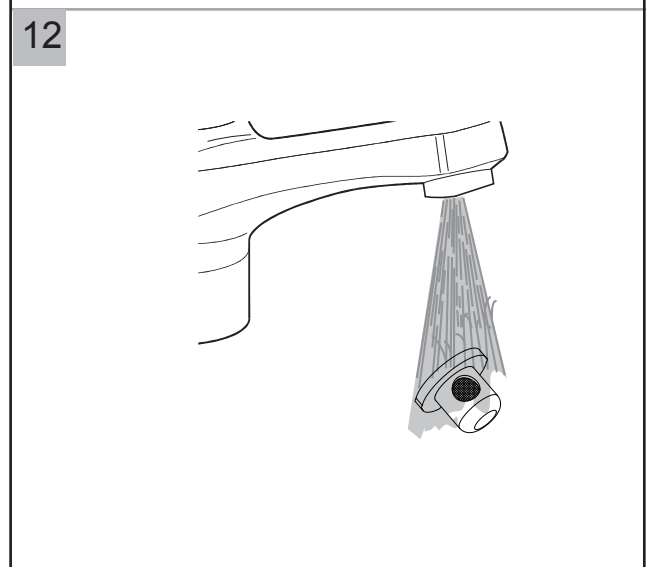
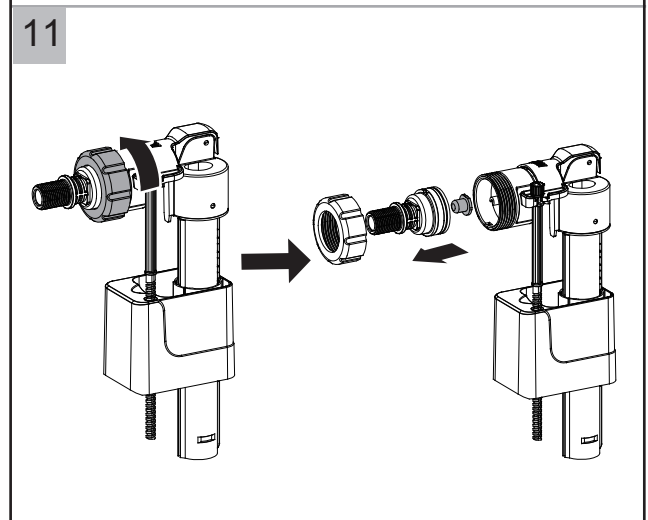
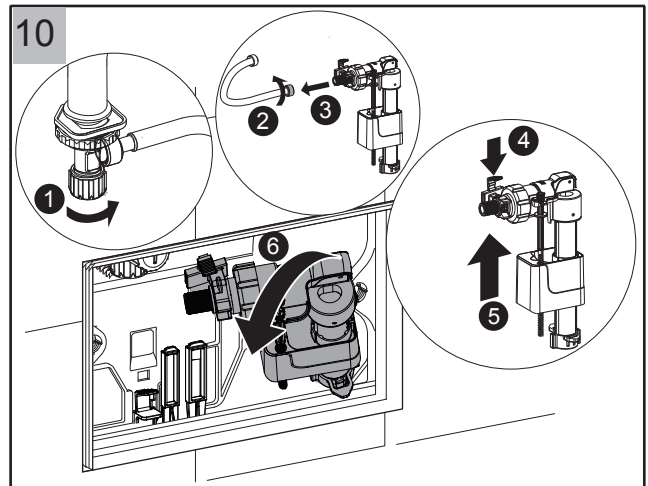
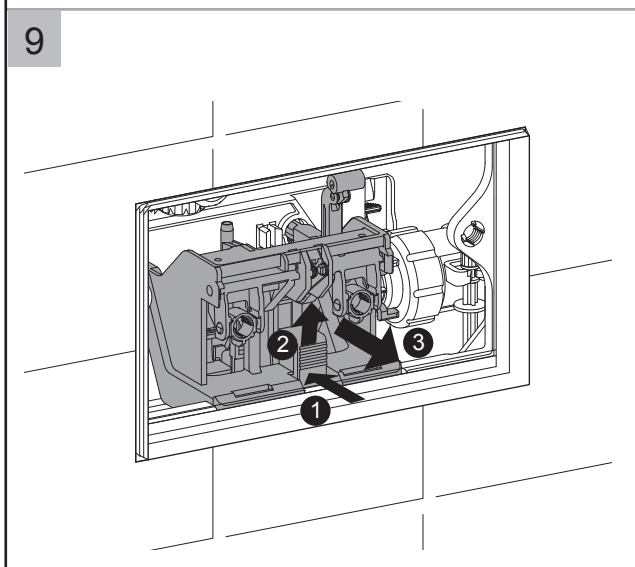
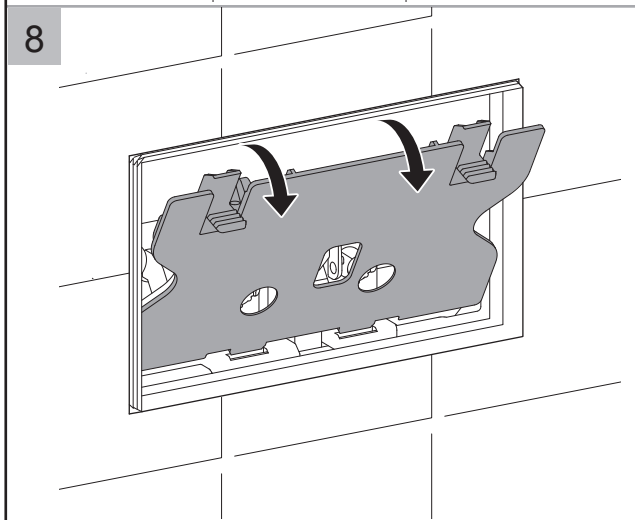
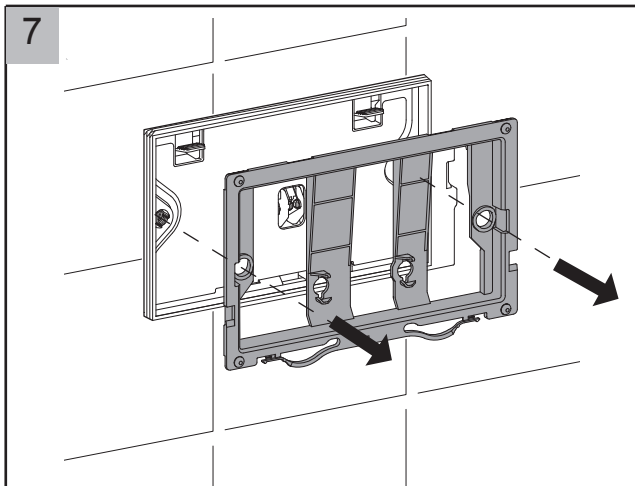
The manufacturer reserves the right to make technical modifications without prior notice.

# Maintenance for Concealed Cisterns

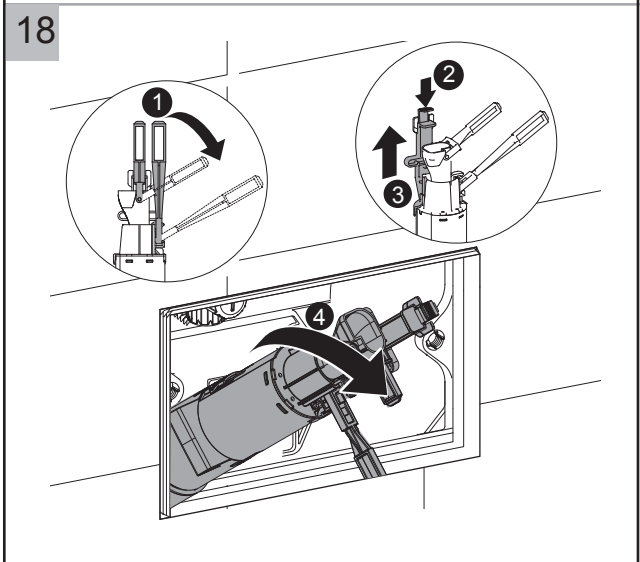
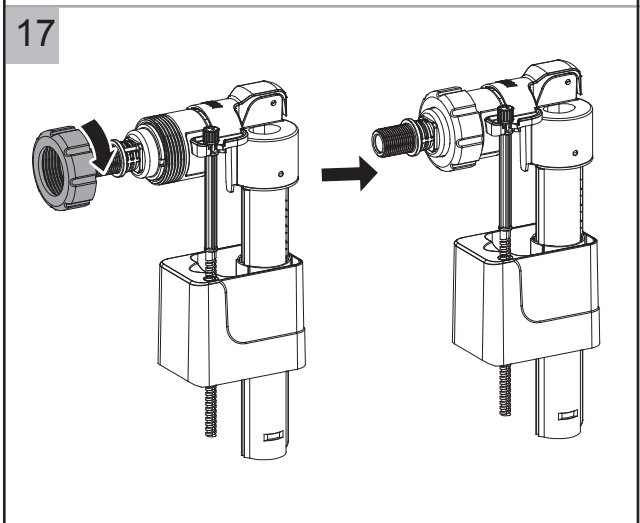
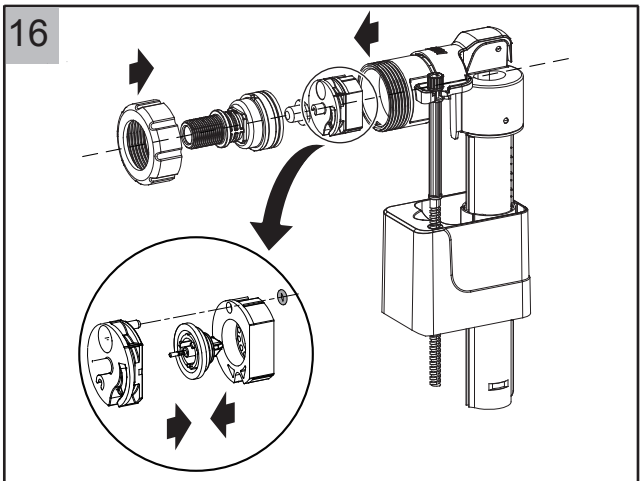
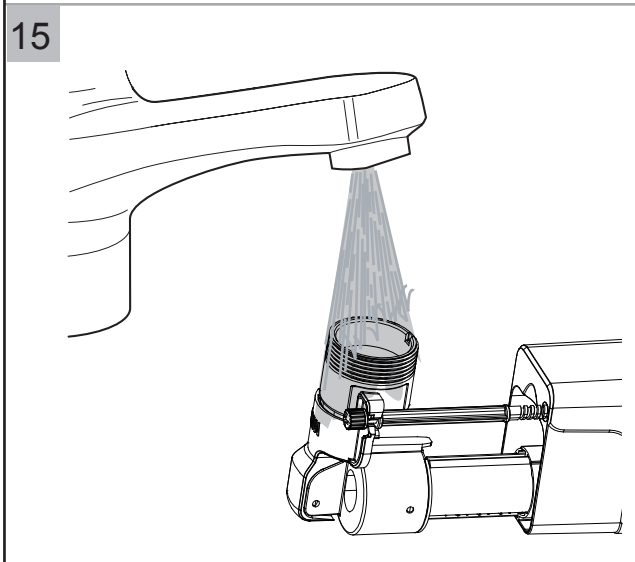
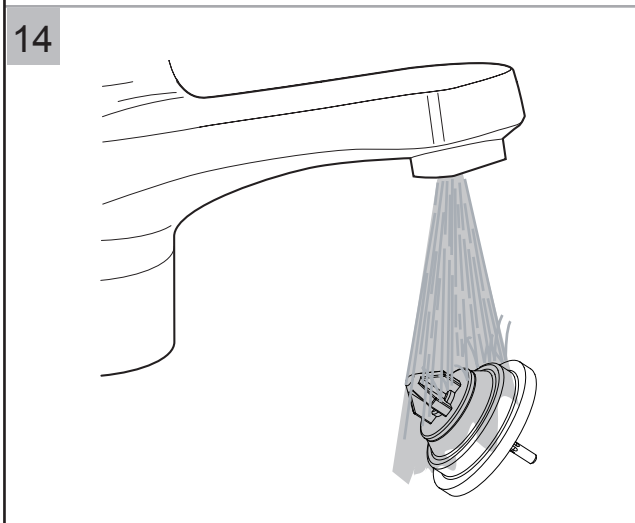
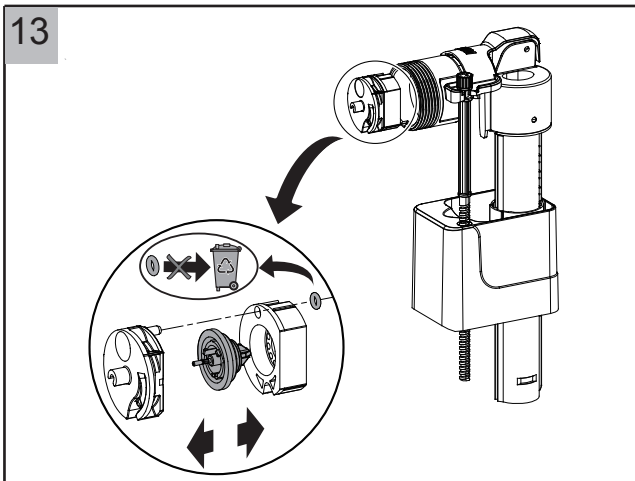




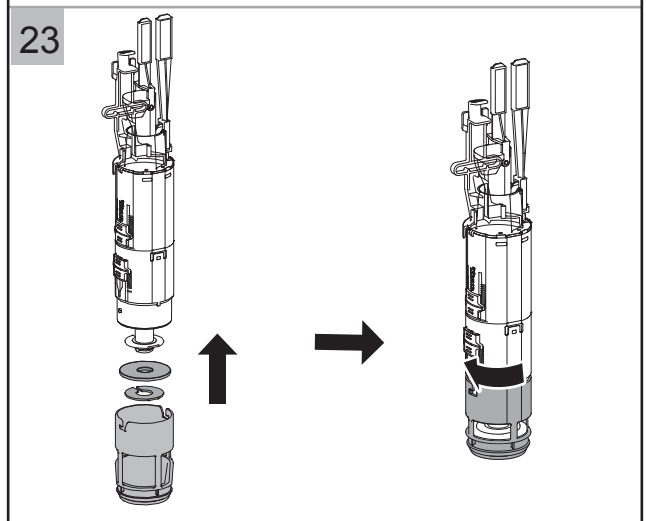
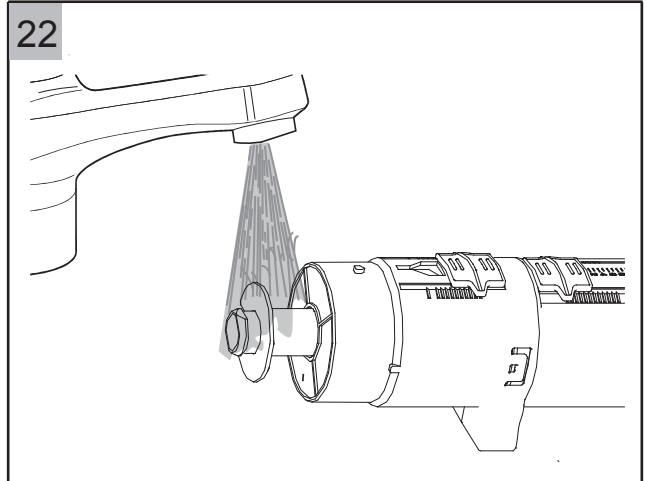
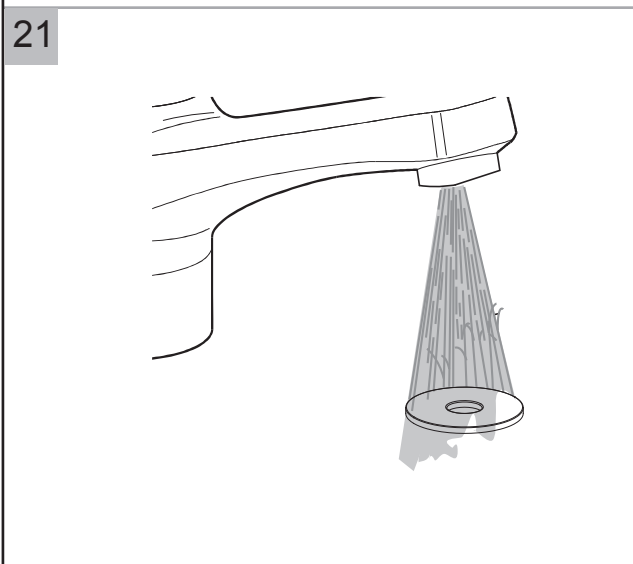
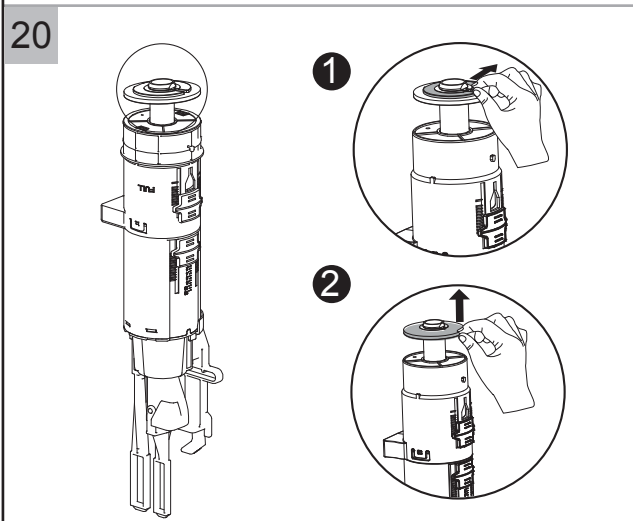
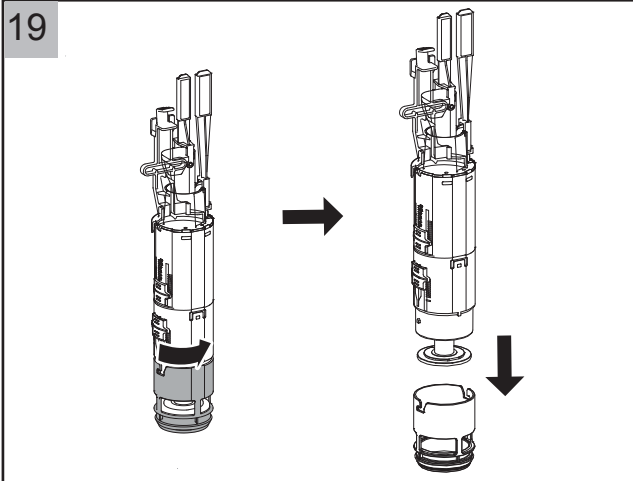
# Maintenance for Concealed Cisterns



# Maintenance for Concealed Cisterns

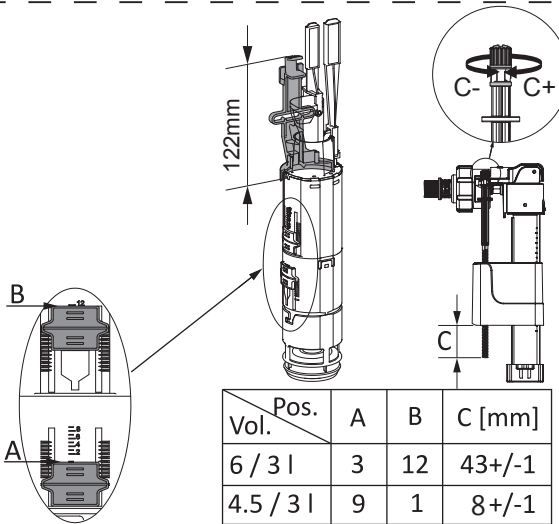
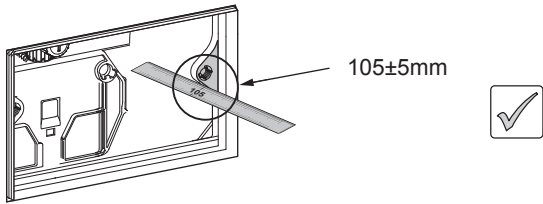


# Maintenance for Concealed Cisterns

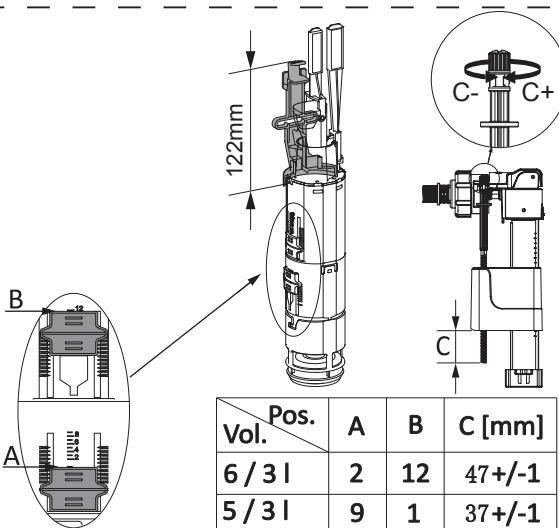
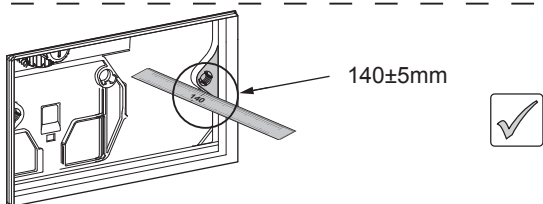


# Maintenance for Concealed Cisterns

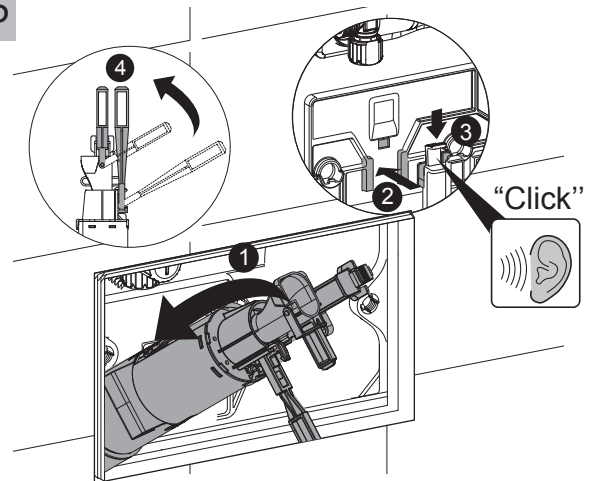
24



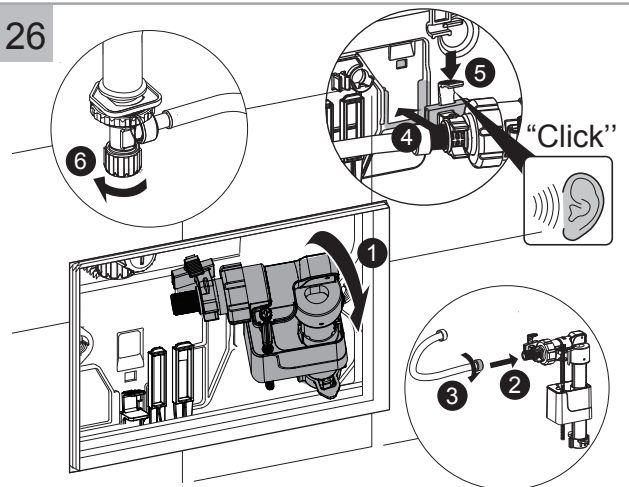
OR



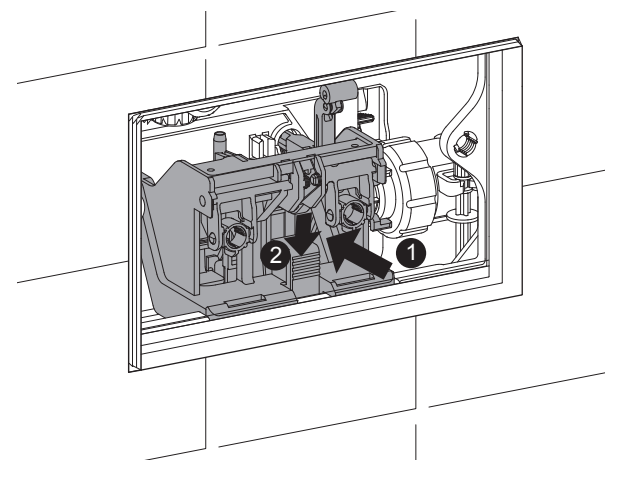
25



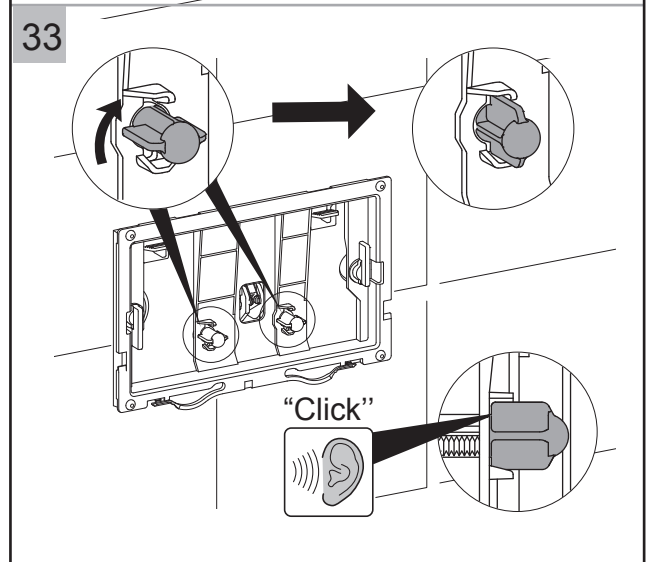
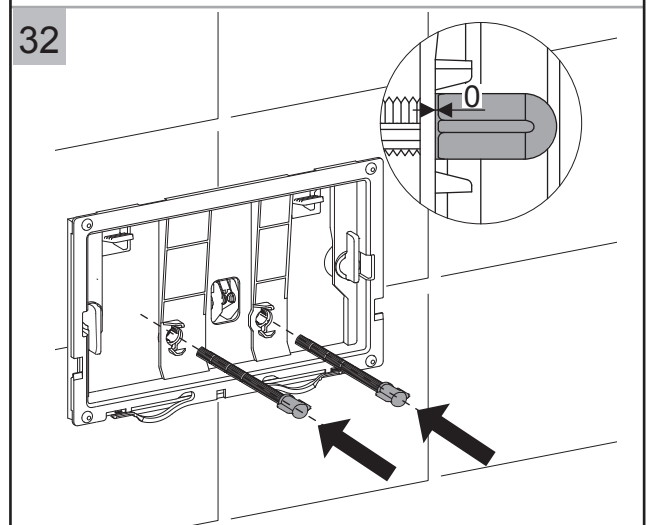
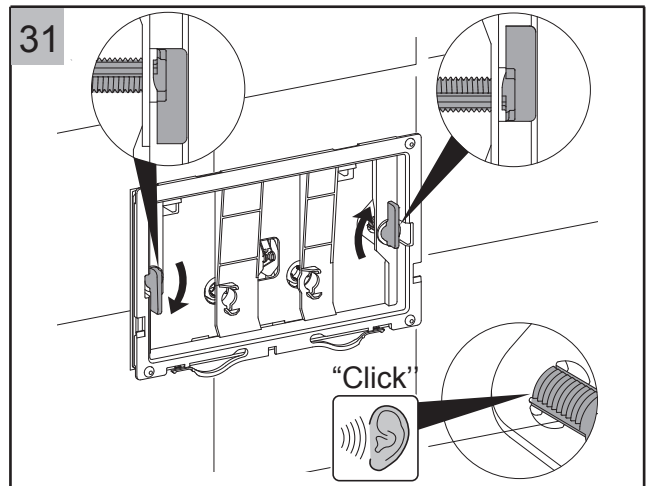
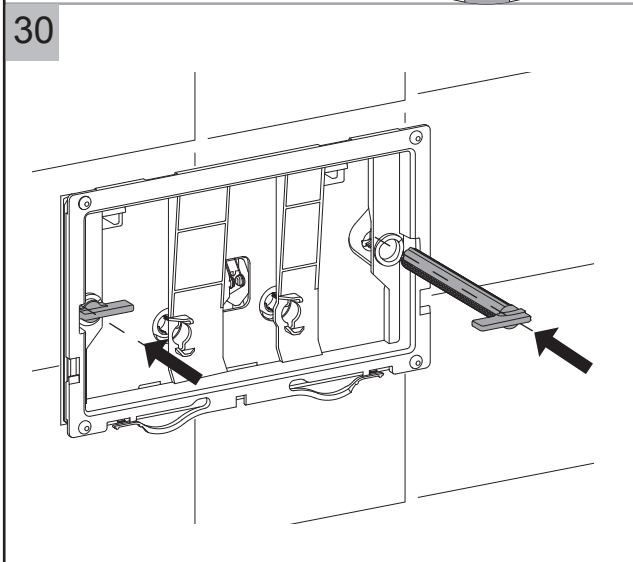
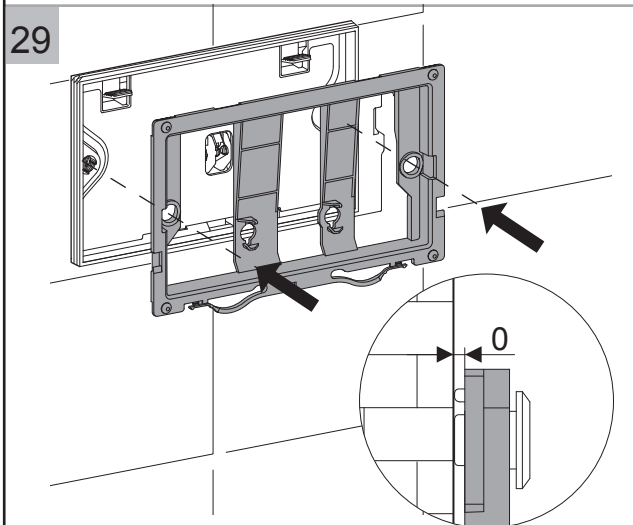
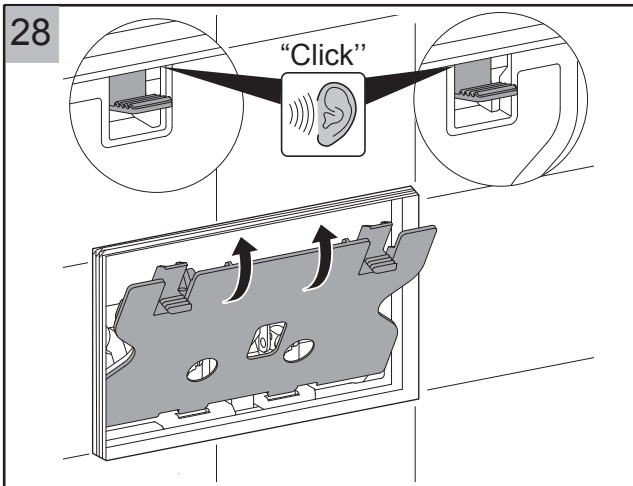
26



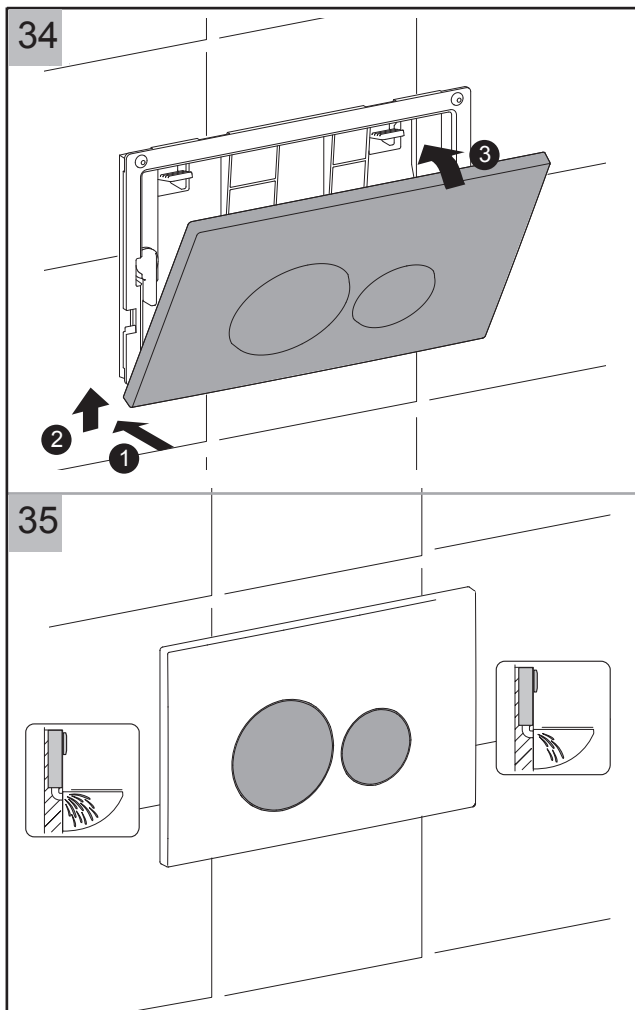
27



# Maintenance for Concealed Cisterns



# Maintenance for Concealed Cisterns



For any further information please contact

Crosswater on: **0345 873 8840**

Or visit our web-site at:

**[www.crosswater.co.uk](http://www.crosswater.co.uk)**