

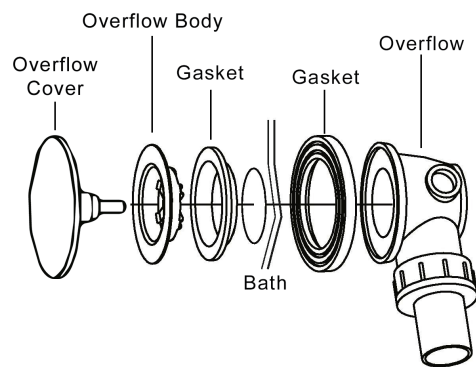
For any further information please contact
Crosswater on: **0845 873 8840**

Or visit our web-site at www.crosswater.co.uk

The manufacturer reserves the right to make technical
modifications without prior notice.

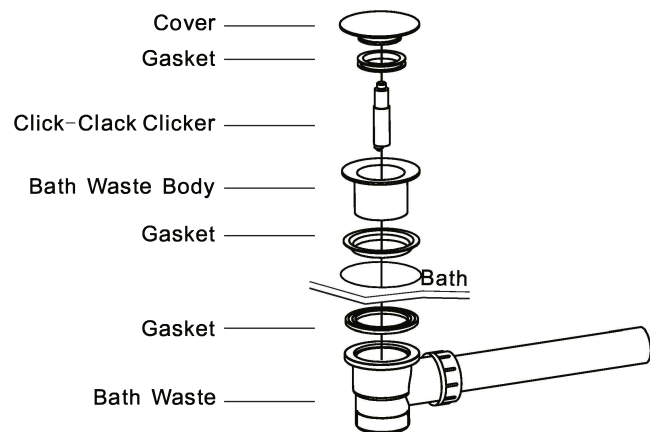
INSTALLATION INSTRUCTIONS

BTW0210C/PRO0210



Push the gasket onto the overflow housing and hold the unit in position from the outside of the bath. From the inside of the bath place the gasket and overflow body over the overflow hole. Finally screw on the overflow cover.

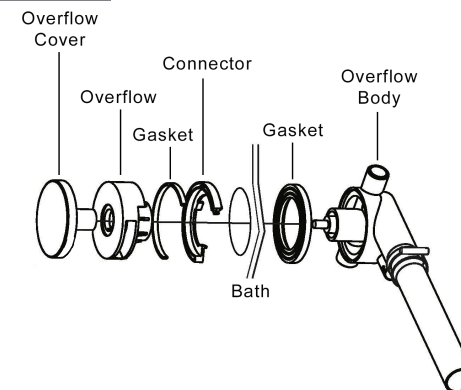
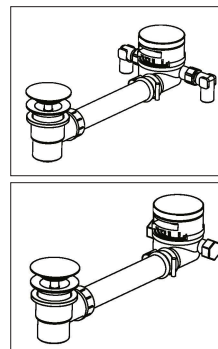
Prepare the overflow hose and push the overflow pipe into the overflow housing, ensuring the sealing washer is position and hand tighten the nut.



From the underside of the bath push the gasket onto the waste housing. From inside the bath place the plug hole in position on the gasket and screw the waste body into the waste housing.

Prepare the overflow hose and push the overflow pipe into the waste housing, ensuring the sealing washer is position and hand tighten the nut.

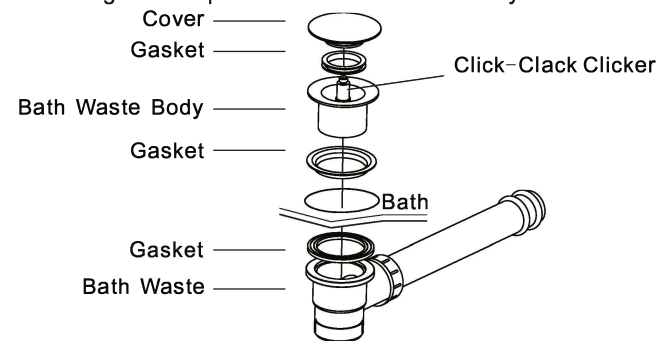
PRO0360



Push the gasket onto the overflow housing and hold the unit in position from the outside of the bath. Prepare the overflow assembly by pushing gasket into the connector piece, then push the overflow filler onto the overflow body. Finally, screw the overflow cover into the overflow body ensuring that a watertight seal is made at the overflow. **If the hole is too small, snap off one of the lugs with a pair of long nose pliers.**

Prepare the overflow hose and push the overflow pipe into the overflow housing, ensuring the sealing washer is position and hand tighten the nut.

Finally connect up the inlet which can be positioned either side of the housing. If only one inlet is being used cap off the other inlet securely.



From the underside of the bath push the gasket onto the waste housing. From inside the bath place the plug hole in position on the gasket and screw the waste body into the waste housing.

Prepare the overflow hose and push the overflow pipe into the waste housing, ensuring the sealing washer is position and hand tighten the nut.