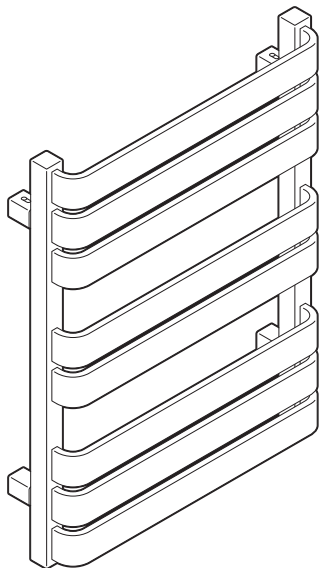


crosswater<sup>®</sup>



# User Manual

## Radiator





## WARRANTY CONDITIONS

1. The warranty terms applies to the decorative radiator manufactured with parameters specified on the last page of this booklet.

2. Check the contents of the pack carefully before installation. Bauhaus will not be held responsible for any de-fit / re-fit costs where faulty product has been fitted.

If any fault is found with materials or workmanship, it must be reported immediately to the manufacturer. Remedial action will be taken, based on information received, on condition that:

- a. Full details are supplied to the manufacturer;
- b. The product has not been modified or tampered with;
- c. The manufacturer is informed of any damage/shortages prior to installation.

By accepting the product the Consumer confirms that the product is of full value, free from any defects. In case of any defects the Consumer should inform the Seller. Otherwise it is assumed that the Seller provided the Consumer with a product without any defects (in particular paint coating faults).

3. The warranty periods are:
  - a. 8 years for steel radiator paint coating in all RAL and special colours,
  - b. 8 years for water tightness of steel radiators,
  - c. 5 Years for Chrome Finish
  - d. 2 years for electric components in electric radiators and heating elements designed for radiators.
4. The product serial label placed on the back of the radiator and evidence of purchase are prerequisites for any claims resulting from the warranty. The Manufacturer may reject the claim if any of the above has not been supplied.
5. The warranty does not cover:
  - a. product faults or any problems resulting from incorrect (not in compliance with the manual) installation or use;

- b. product faults resulting from using the radiator in defiance of the requirements specified in the attached manual — in particular those regarding water characteristics and pressure inside the radiator;
  - c. damage caused by the Consumer after receiving the product from the Seller.
6. The warranty does not apply to any claims related to technical and functional features of the radiator, as long as they conform with those stated in the manual and technical specifications.
  7. For a claim made under our warranty written certification of your installers credentials can be required. For further information or to find a qualified installer in your area please visit the Institute of Plumbers website — [www.iphe.org.uk](http://www.iphe.org.uk)
  8. The warranty service does not include any activities described in the user manual, and customarily performed and paid for by the Consumer.
  9. It is recommended to install valves on the supply and return pipes making it possible to disconnect the radiator from the central heating installation. If valves are not fitted the Consumer covers the extra cost of radiator dismantling.
  10. If the claim is accepted, the Manufacturer will repair the faulty product. The time required for the repair will be agreed with each Consumer individually. If the product cannot be repaired the Manufacturer will replace it with a new one.
  11. The accompanying user manual is an integral part of the warranty documentation. Please read it carefully before using the product. These instructions have been prepared for your guidance, you must exercise due care at all times.



## PRODUCT INFORMATION

**1. MATERIALS:**

the radiator is made of low-carbon steel, its surface is powder coated or chrome plated.

**2. TECHNICAL PARAMETERS:**

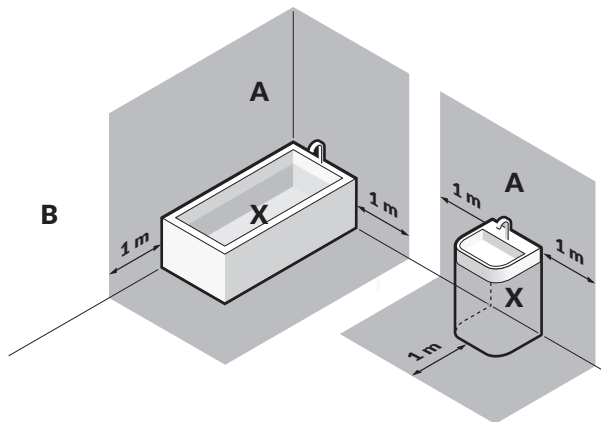
detailed product data can be found on the last page of this booklet.

**3. INTENDED USE:**

heating the interiors with normal air humidity and without any corrosive factors (this also applies to bathrooms, kitchens etc.). The powder coated version of the radiator can also be used as a dryer for towels and clothes.

**CAUTION!** Drying towels or clothes on the chrome plated version is not allowed.

#### 4. RADIATOR INSTALLATION ZONES:



Zone X stands for a water source (meaning any sink, shower, bathtub or toilet). Zone A includes the space directly above zone X as well as 1 m to the left and 1 m to the right. If the radiators are to be installed in zone A they need to have an additional zinc coating offered at extra cost by the Supplier. Installing a radiator without a zinc coating in zone A will void the warranty. Zone B is safe for installation of steel radiators with standard coating.

We recommend having the radiators installed by an installation professional.

#### 5. WATER QUALITY:

the radiator is intended for use in sealed central heating systems.

**CAUTION!** The radiator must not be installed in open-vented or domestic hot water systems.

Remember to bleed your central heating system and the radiator.

The radiator is intended for use in central heating systems consisting of carbon steel pipes or plastic pipes with diffusion barrier.

Detailed requirements concerning sealed central heating systems, water quality and operation of such installations are defined in norms applicable in a given country.

**CAUTION!** Installation parameters must not exceed the radiator operating parameters defined on the last page of this manual.

**CAUTION!** The heating medium must not contain ethylene or propylene glycol.

**6. THE RADIATOR FULLY COMPLIES WITH THE FOLLOWING REGULATIONS:**

*Regulation (EU) No 305/2011 of the European Parliament and of the Council of 9 March 2011 regulating the conditions for the marketing of construction products, and harmonised standards:*

*EN 442-1 Radiators and convectors – Part 1: Technical specifications and requirements,*

*EN 442-2 Radiators and convectors – Part 2: Test methods and rating.*



## GENERAL INSTALLATION NOTES

1. This product should only be fitted by a qualified plumber to NVQ (National Vocational Qualification) or SNVQ (Scottish National Vocational Qualification) Level 3. Should the installation be completed by a non-qualified person then the guarantee may be considered invalid.
2. Special caution must be taken while transporting, installing or dismantling the radiator in order to avoid any harm or damages.
3. The place designated for the installation of the radiator should be equipped with central heating installation pipe endings matching the radiator connection spacing specified in the technical specifications section.
4. It is recommended that walls are fully tiled before accessory installation. This ensures that the product is installed flat to the tile face and allows product to be easily removed if required in the future.
5. We recommend the use of valves on the supply and the return of the radiator.
6. When converting the radiator into an electric unit (filled with the heating medium and not connected to central heating installation) you must consider and bear in mind the thermal expansion of the heating medium – pouring too much liquid into the radiator may result in critical pressure levels and, ultimately, cause damage to the radiator.





## SAFETY PRECAUTIONS

1. Ensure the room is well heated and ventilated.
2. Be careful while putting hands between radiator pipes.
3. While drying clothes bear in mind the maximum temperature allowed for a given type of fabric in order to avoid damaging them.

**CAUTION!** Avoid hanging on your radiator fabrics with bleeding dyes (new towels, fabrics with a considerable amount of synthetic fibres) and fabrics soaked with chemicals as they can cause permanent discolouration of radiator paint coating. The Manufacturer's warranty does not cover such faults.

4. After removing towels or clothes the radiator can be very hot. Be careful and wait until the radiator temperature returns to a safe level.
5. If the radiator is equipped with an electric heating element please read the attached manual carefully before using the product.
6. Do not put loads exceeding 5 kg on the radiator.
7. Any changes in the construction of the radiator and/or warranty repairs can only be conducted by the Manufacturer.
8. Observe the operating parameters specified in the PRODUCT INFORMATION section. This applies in particular to:
  - a. the operating pressure, because excessive pressure can destroy the radiator and bring about other damages,
  - b. the quality of the heating medium (wrong pH value or oxygen saturation can cause radiator corrosion); connecting the radiator to the domestic hot water system or refilling the installation with liquids having unsuitable chemical properties can also bring about radiator damage.



## FAILURE SITUATIONS

In case of any signs of a radiator fault, such as:

- a leak of the heating medium,
- excessive pressure (manifested by deformation of pipes),
- any other abnormal symptoms,

immediately turn off the valves and contact the Manufacturer.



## MAINTENANCE

1. Do not allow the temperature of the heating medium to fall below 0°C.
2. We recommend keeping the radiator clean. The radiator can be cleaned with domestic cleaning products except for those containing solvents or abrasives.

The chrome plate we use on our taps is very durable, nevertheless care should be taken when cleaning them. They should be cleaned only with warm soapy water followed by rinsing with clean water and drying with a soft cloth. All finishes are vulnerable to acid attack and some strong substances such as household cleaners, disinfectants, denture cleaners, hair dyes can cause damage to the surface.

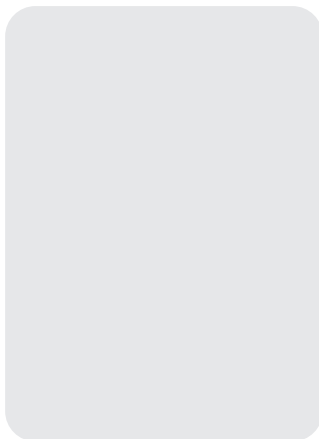
3. Applying any additional layers of paint or lacquer to the radiator is not allowed.



## **DISPOSAL**

When permanently dismantling and removing the radiator observe your local law concerning disposal.

1. Model;
2. Height
3. Width
4. Connection Type
5. Colour
6. Connection Spacing
7. Serial Number
8. Delta T50°C Heat Output
9. Thermal Characteristic Equation
10. Weight
11. Water Volume
12. Manufacture Date
13. Operating Pressure
14. Operating Temperature
15. Model Number



### **Crosswater Limited**

Lake View House, Rennie Drive, Dartford, Kent DA1 5FU

Tel: +44 345 873 8840

[technical@crosswater.co.uk](mailto:technical@crosswater.co.uk)