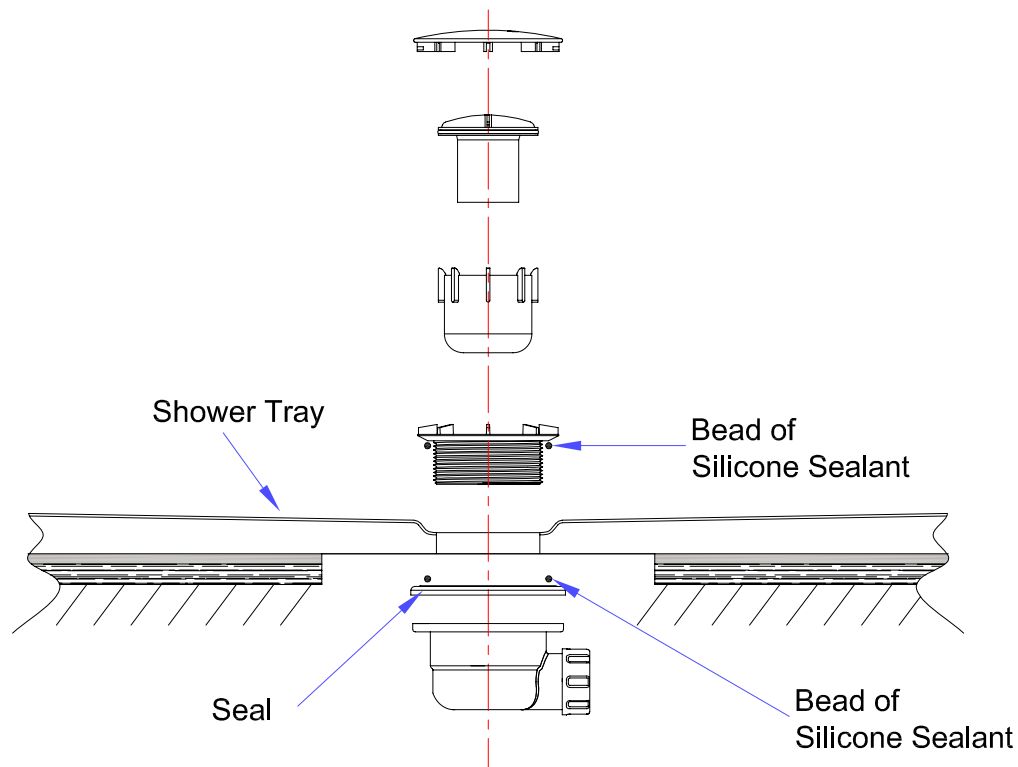


INSTALLATION INSTRUCTION FOR HIGH FLOW WASTE - STHFW6190



Maintenance:

- Remove the waste cover.
- Remove the inner filter.
- Re-assemble in reverse order.
- **CLEANING**

The finish we use on our product is very durable, nevertheless care should be taken when cleaning them. They should be cleaned only with warm soapy water followed by rinsing with clean water and drying with a soft cloth. All finishes are vulnerable to acid attack and some strong substances such as household cleaners, disinfectants, denture

