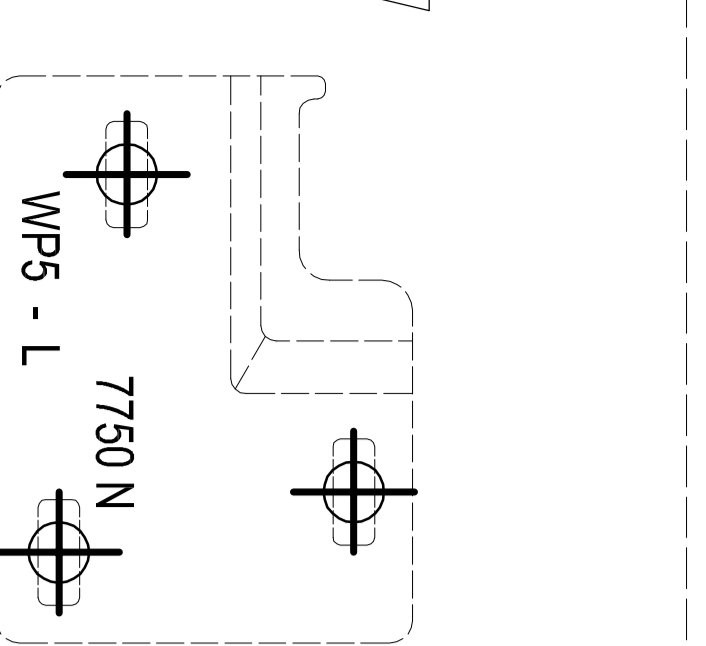
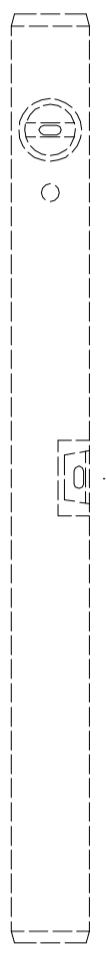
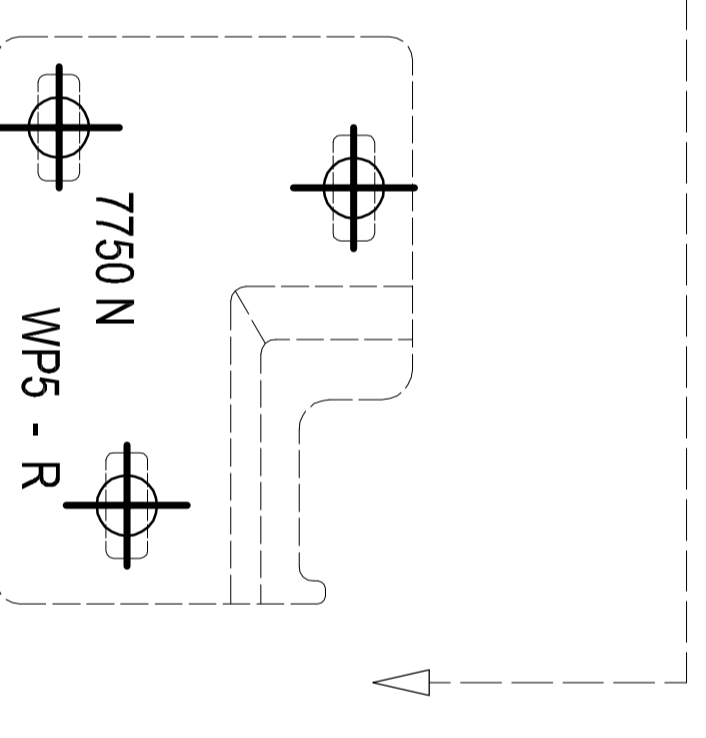


The upper left corner of the furniture



The upper right corner of the furniture



SCALE 1:1

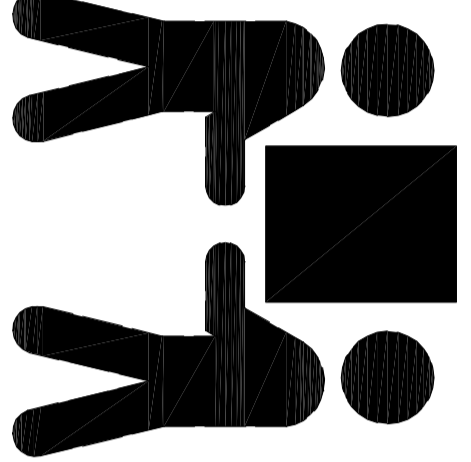
IMPORTANT! The furniture carcass falls outside of the wall bracket fitting positions.

TEMPLATE FOR HANGING FUTURE

1. Cut template along dotted line.
2. Fix the template with masking tape to the wall in correct installation position.
NOTE: Use a spirit level to the template is straight.
3. Drill holes using a suitable drill bit, marked .
Further installation steps are in the manual supplied with product.

Warning symbol

Please check for any hidden pipes or electrical cables before drilling holes in the floor or walls. When using power tools always follow the manufacturer's user guide. Ensure appropriate wall plugs (supplied) for solid or cavity are used



It is recommended that 2 persons carry out the installation of larger basin/wanity unit over 30KGS gross weight

Individual product number:
LM7000DXXX
Weight Kgs
27Kgs

Crosswater

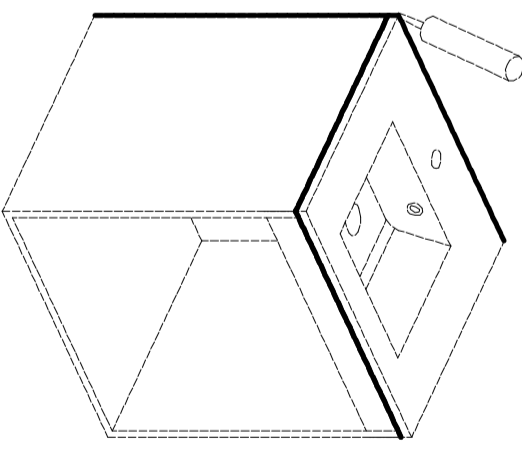
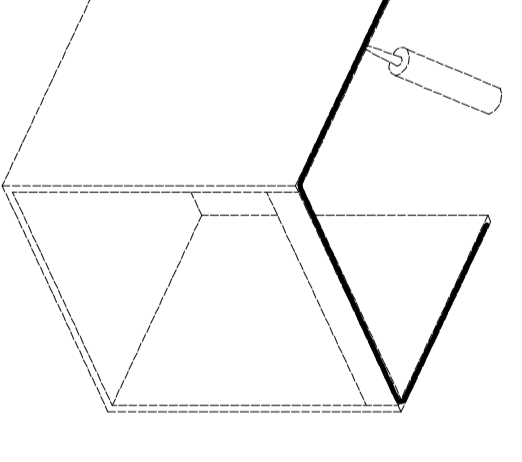
MANUAL

Tools required

- Scissors
- Tape measure
- Spirit level
- Masking tape
- Drill
- Drill bit 8mm
- Phillips No 2 Screwdriver
- Clear silicone

Sealing with silicone

Carefully apply silicone as shown below. Leave silicone to 24 hours to dry.



CLEANING AND CARE INSTRUCTIONS FOR FURNITURE

The finished boards and edging used for Crosswater moisture resistant furniture have highly durable qualities and are easy to clean surfaces.
Light Staining

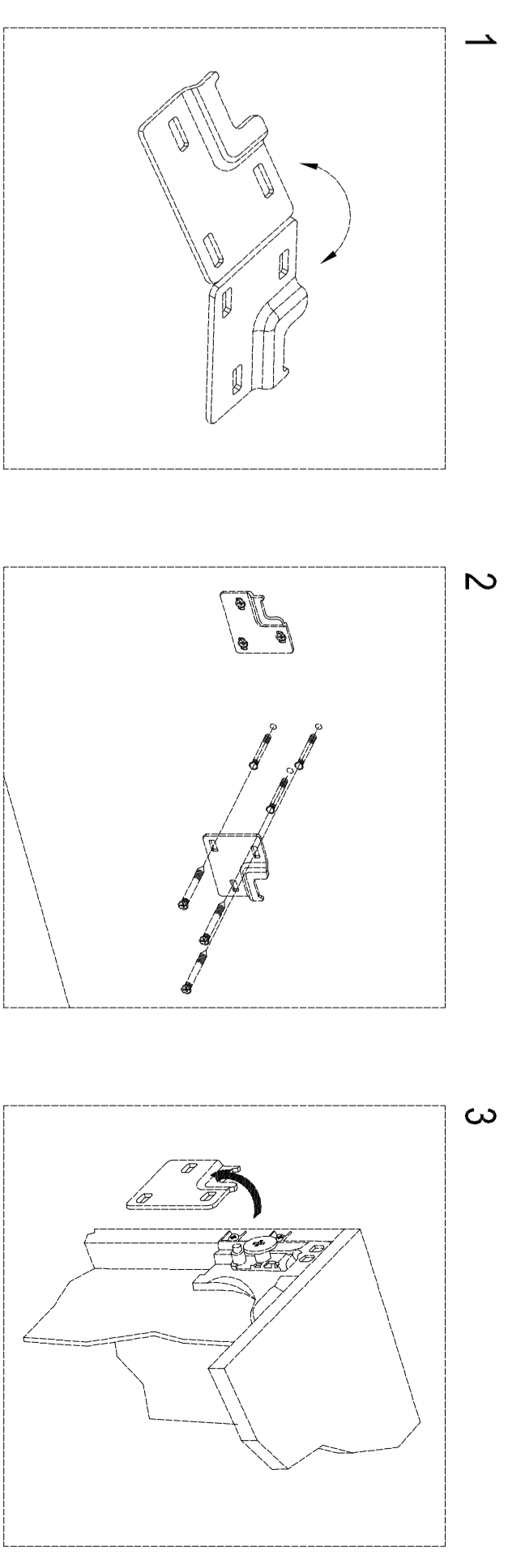
Clean the bathroom furniture with a soft clean cloth moistened in warm water and a fine detergent. Do not use abrasive cleaners as they will damage the pattern to remove any staining. Then rub with a damp cloth moistened in clean water to remove the detergent and avoid stains or streaks. Remove stubborn soiling with hot water and a little mild detergent if necessary. Dry the surface with a clean, dry soft cloth.

DO NOT USE: ABRASIVE CLEANERS, SCOURING PADS, STEEL WOOL, etc. SOLVENTS, BLEACHING, FURNITURE BLEACH, SODA ON ACID, FURNITURE POLISH
WARNING:

Avoid hot or sharp objects coming into contact with the furniture.

IMPORTANT NOTE
You should carefully read the recommendations for use provided by your cleaning product manufacturers. If in doubt, you can test the cleaning agent and care product in an inconspicuous area.

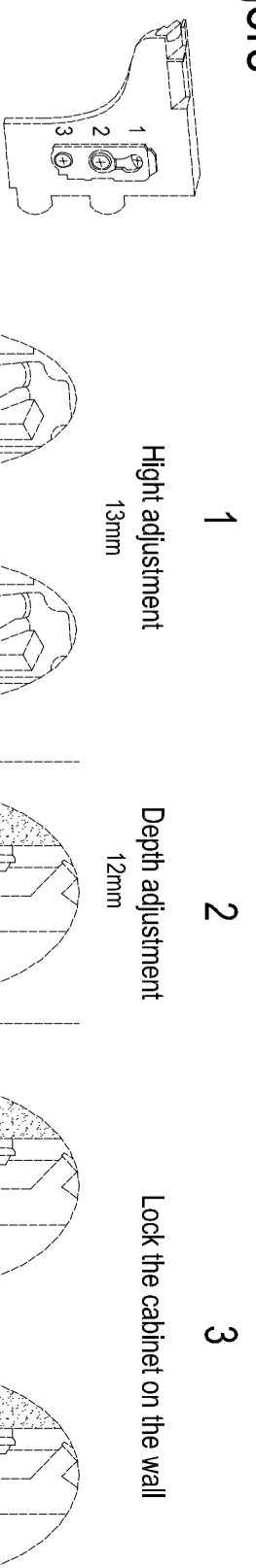
INSTALLATION OF WALL BRACKETS AND HANGERS



The mounting kit includes dowels size Ø8x40. Check whether they are suitable for your wall.

Adjust hangers

Hanger 7750N



Hanger 2750N

