

This product should only be fitted by a qualified plumber to NVQ (National Vocational Qualification) or SNVQ (Scottish National Vocational Qualification) Level 3. Should the installation be completed by a non-qualified person then the guarantee may be considered invalid.

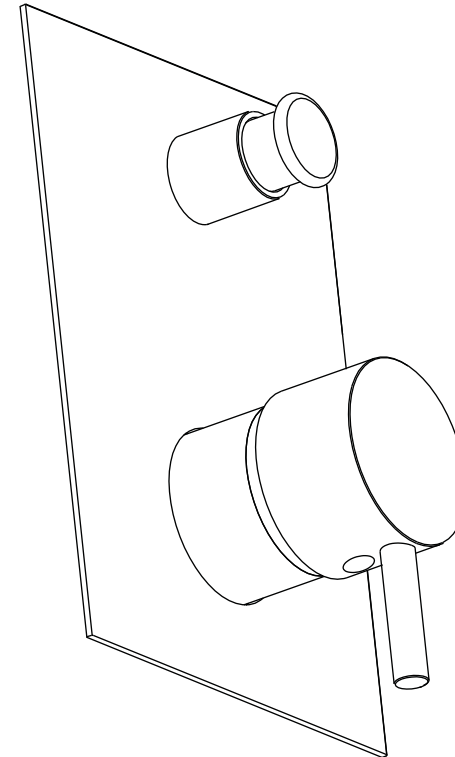
For a claim made under our warranty written certification of your installers credentials can be required. For further information or to find a qualified installer in your area please visit the Institute of Plumbers website - www.iphe.org.uk

THE QUALIFICATIONS

At present, to be a plumber you need to follow the National Vocational Qualification (NVQ) route (Scottish National Vocational Qualification - SNVQ - in Scotland). These qualifications are made up of theory and practical work in the classroom/purpose built training facility and work based experience with a working plumber. Colleges should help students find a work placement, although many students organise it themselves.

The S/NVQ qualification works in levels. All recently qualified plumbers should hold S/NVQ Level 2 as basic with Level 3 as the preferred level. Level 2 will give you the foundation you need for a career in plumbing and teach you domestic plumbing to a satisfactory level. Level 3 is more comprehensive and deals with domestic, commercial and industrial plumbing along with aspects such as gas - if you want to one day set up your own business, this is the level to reach. The Institute of Plumbing and Heating Engineering, and the industry as a whole recommends that all plumbers reach a minimum of Level 3.

Reaching Level 3 has other advantages. The Institute runs a Master Plumber Certificate, which only those attaining Level 3 or equivalent can reach as long as they have the relevant experience as well. Those with S/NVQ Level 3 can (once in membership with the Institute for five years as a Member MIPHE) gain Engineering Technician EngTech status with the Engineering Council (UK).



For any further information please contact
Crosswater on: **0845 873 8840**

Or visit our web-site at www.crosswater.co.uk

The manufacturer reserves the right to make technical
modifications without prior notice.

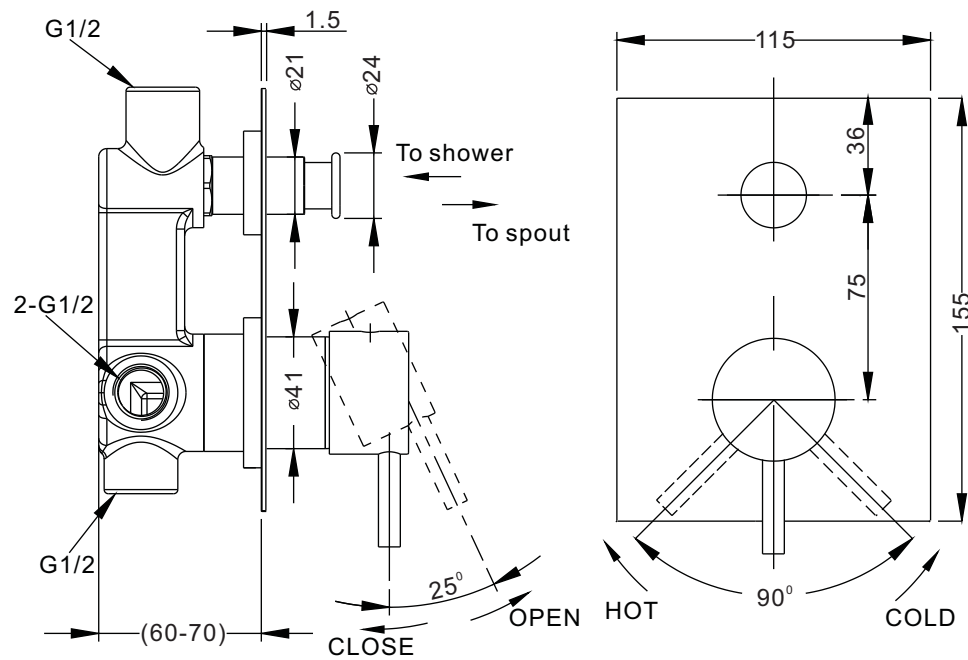
INSTALLATION INSTRUCTIONS

INTRODUCTION

This Manual valve is suitable for use with all water systems up to a maximum operating pressure of 5.0 bar, (beyond which we recommend pressure reducing valves to be fitted).

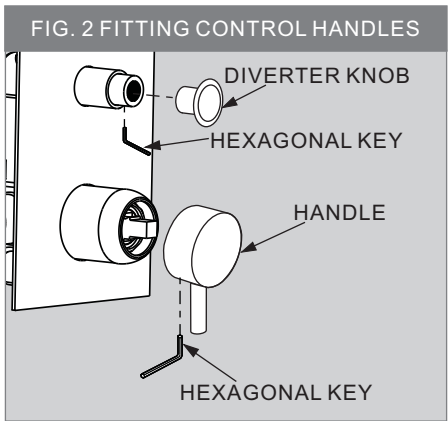
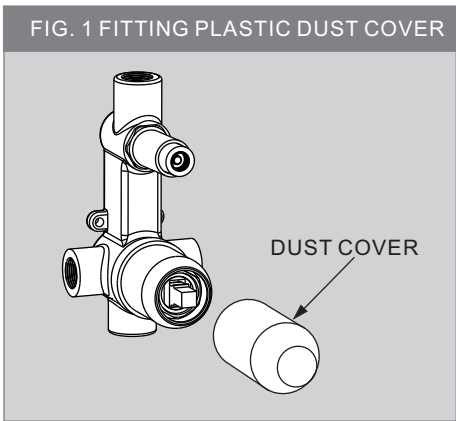
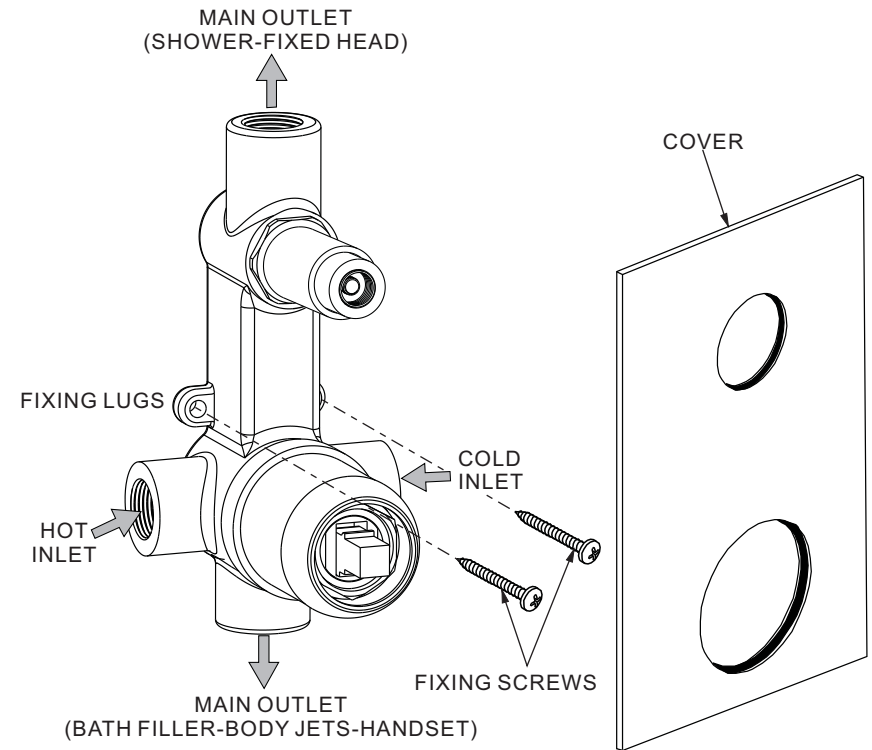
The outlet is controlled by a flow control cartridge, commonly used for a main shower head.

DIMENSIONS



NOTE: ALL DIMENSIONS IN MILLIMETRES

INSTALLATION



INSTALLATION

NOTES:

Please read these instructions carefully and keep in a safe place for future reference.

A hole must be created in the wall (cavity or solid) to enable the complete body of the valve to be concealed within the wall itself, which will allow the product to be installed so the chrome back plate can be positioned flush to the tiled wall surface.

When this has been checked, the pipes supplying the valve must then be hard plumbed, and either bonded into the solid wall or clipped to cavity wall itself, making sure that there is little or no movement to the product. (If the valve is allowed to move after installation this will cause weaknesses on plumbed joints with leaking a likelihood).

When the HOT and COLD supplies have been connected the valve is then ready to supply mixed water to either the top or bottom outlet of the valve.

The valve will automatically deliver water to the bottom outlet when it is turned on, so it is therefore advised that this outlet is connected to any bath fitting.

The top outlet is generally used to supply the second fitting, either a shower kit or a fixed shower head and is operated by pushing the shower knob inwards. This is the small knob located above the on/off control. The water pressure (min 1 bar required) will keep the diverter knob located in the on position and it will automatically revert back to the bath option when the fitting is turned off.

MAINTENANCE

Before carrying out any maintenance please remember to turn OFF all mains water and turn ON the isolating valves.

Note: To avoid damage, please remove all chrome parts before any maintenance takes place.

MAINTENANCE

When the fitting is installed and tested that there are no leaks from the joints the chrome rectangle back plate can then be pushed over the two fittings and sealed to the tiled surface using the gaskets provided and clear silicone to prevent water running behind the plate and damaging the wall.

The top knob does not need to be removed to fit the plate but the bottom knob must be removed to allow the back plate to be pushed over the chrome shroud. The lever is removed by using an alun key to loosen the handle and then pulling the handle off the square spline.

Once the plate is fixed and the handle re-fitted the product is then ready for use.

CARE OF YOUR SHOWER VALVE

We recommend cleaning the valve with a soft damp cloth.

We strongly advise against the use of ALL cleaning products.