

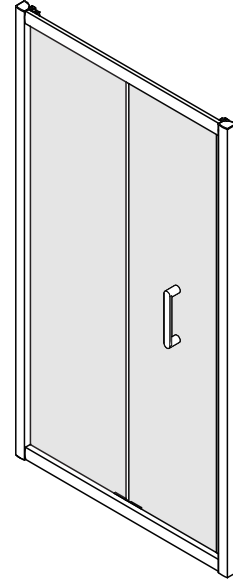
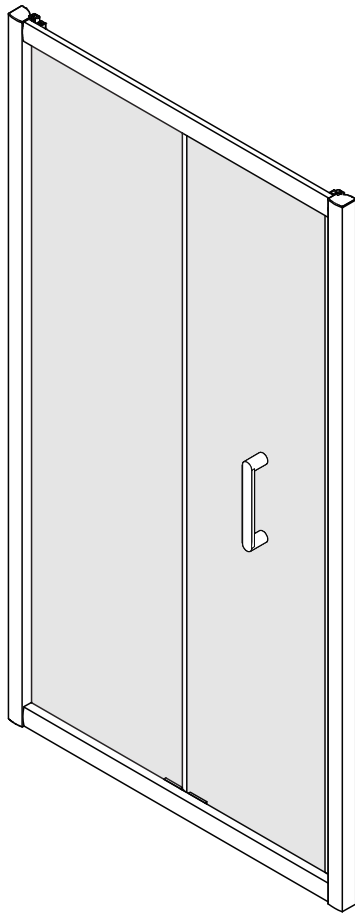
Kai 6 BIFOLD DOOR

IMPORTANT

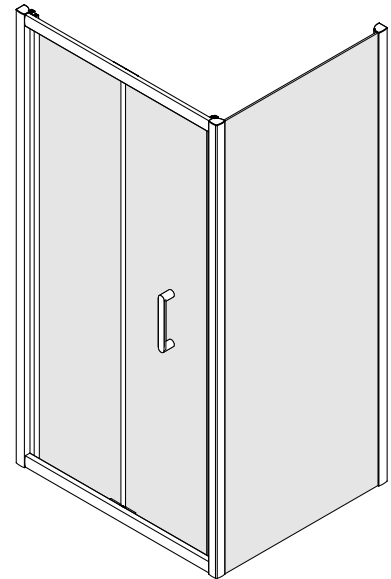
BEFORE STARTING THE INSTALLATION ENSURE ALL THE DOOR SIZE MEASUREMENTS CORRESPOND WITH THE INSTALLATION AREA INCLUDING THE FINISHED TILED/PANELLED WALLS. RETURNS DUE TO INCORRECT SIZING WILL NOT BE ACCEPTED.

KLBFSC0760
KLBFSC0800
KLBFSC0900

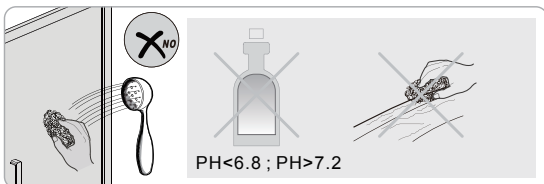
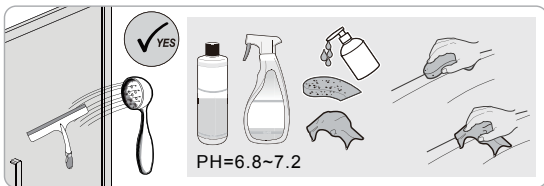
KLSPSC0760
KLSPSC0800
KLSPSC0900



BIFOLD DOOR IN ALCOVE



BIFOLD DOOR & SIDE PANEL



INSTALLATION INSTRUCTIONS

crosswater[®]
SHOWERING

IMPORTANT - Please read before installation

Please read these instructions carefully before starting installation and keep in a safe place for future reference.

Check the contents of the pack carefully before installation. Crosswater will not be held responsible for any de-fit / re-fit costs where faulty product has been fitted.

If any fault is found with materials or workmanship, it must be reported immediately to the manufacturer. Remedial action will be taken, based on information received, on condition that:

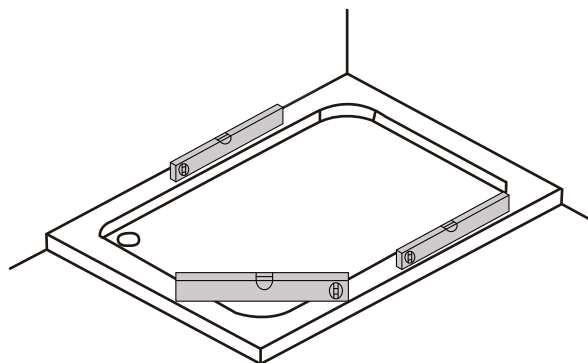
1. Full details are supplied to the manufacturer;
2. The enclosure has not been modified or tampered with;
3. The manufacturer is informed of any damage/shortages prior to installation.

We do not accept responsibility for any problems that may occur through incorrect installation.

The success of the installation and operation of any shower enclosure is, of course, dependant on the squareness, alignment and construction of the walls to which fixing is to be carried out.

VERY IMPORTANT

You must complete all tiling and grouting, and the shower tray **MUST** be level and fully sealed to the tiles before installation. If you do not fit the enclosure onto a tiled surface, or seal the tiles to the tray before installation, water may soak into the wall behind the wall profiles.



INSTALLATION - Advice and safety

The installation instructions are based on typical use and conditions.

All doors are designed to open outwards only.

These hints have been prepared for your guidance, you must exercise due care at all times.

For Health and Safety 2 people must carry out the installation of this enclosure.

Handle glass with care. Although the glass supplied is toughened safety glass (EN12150), impacts can damage both the glass and the frame.

Warning!

Please check for any hidden pipes or cables before drilling holes in the wall.

When using power tools always follow the manufacturers user instructions.

If the Framework is sealed to the tray on the inside, any water that may get into the framework will not be able to drain back into the tray, this may cause the enclosure to leak

Leave the silicone sealant to dry for 24 hours before using the enclosure

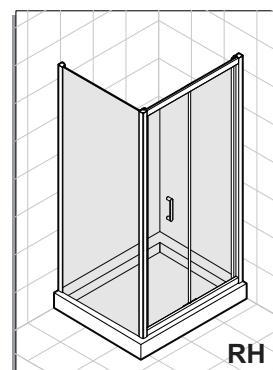
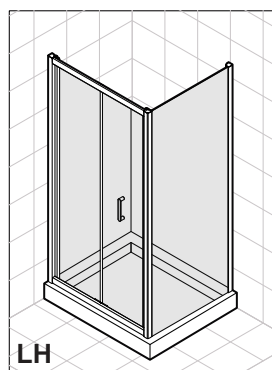
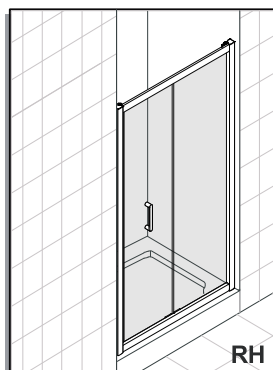
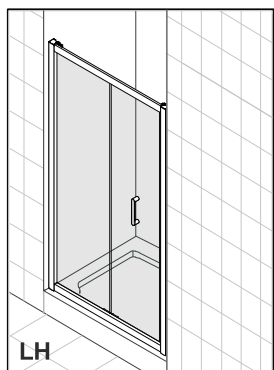
CARE AND CLEANING

Do not use solvents or abrasive material or chemicals to clean the enclosure.

Only clean using soapy water and a soft cloth, rinse thoroughly afterwards.

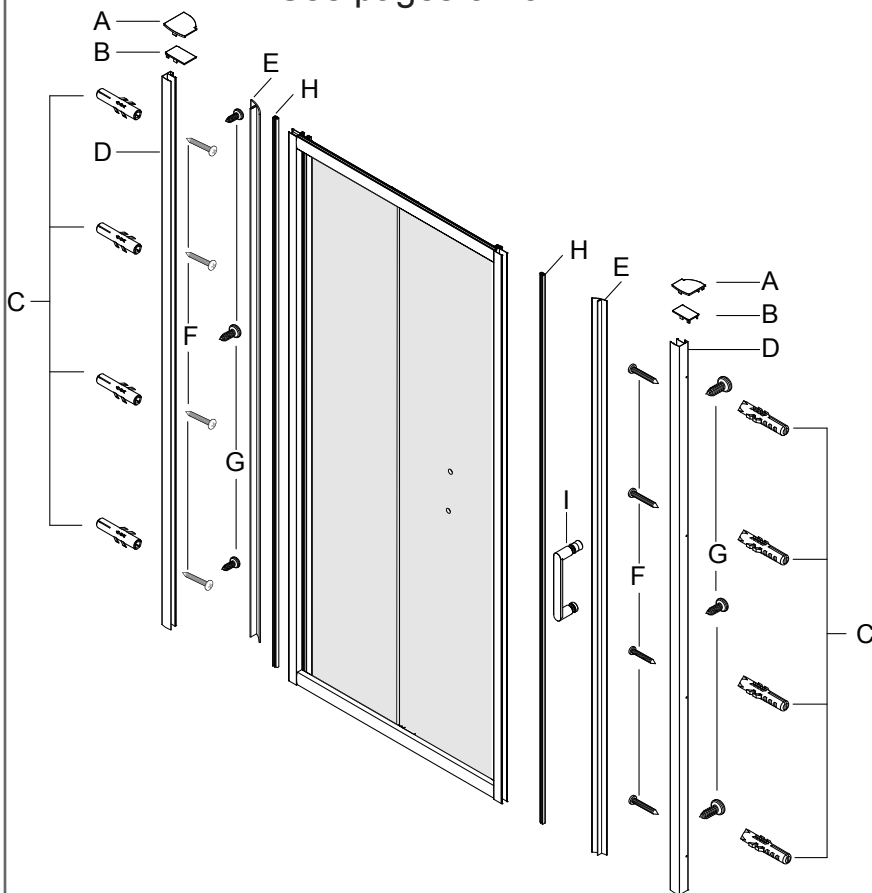
INSTALLATION - Left and Right hand

This product is reversible for left or right hand opening. Please follow the diagram, and detailed below for your choice of installation.



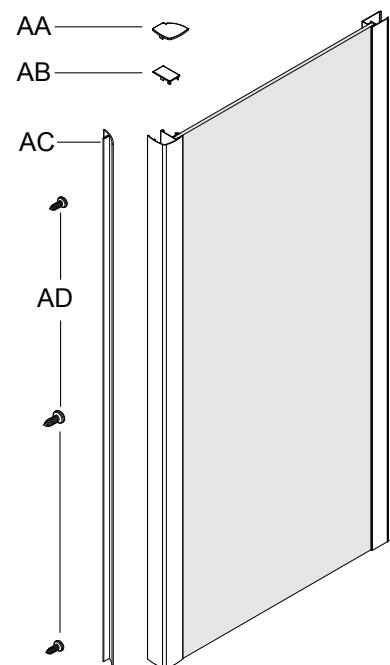
Kai 6 BIFOLD DOOR

See pages 3 - 6



DOOR & SIDE PANEL

See pages 7 - 11



A		Cap for wall profile L R x2
B		Cap for adjusting profile x2
C		Wall plug x8
D		Wall profile x2
E		Cover strip x2
F		ST4*30 x8

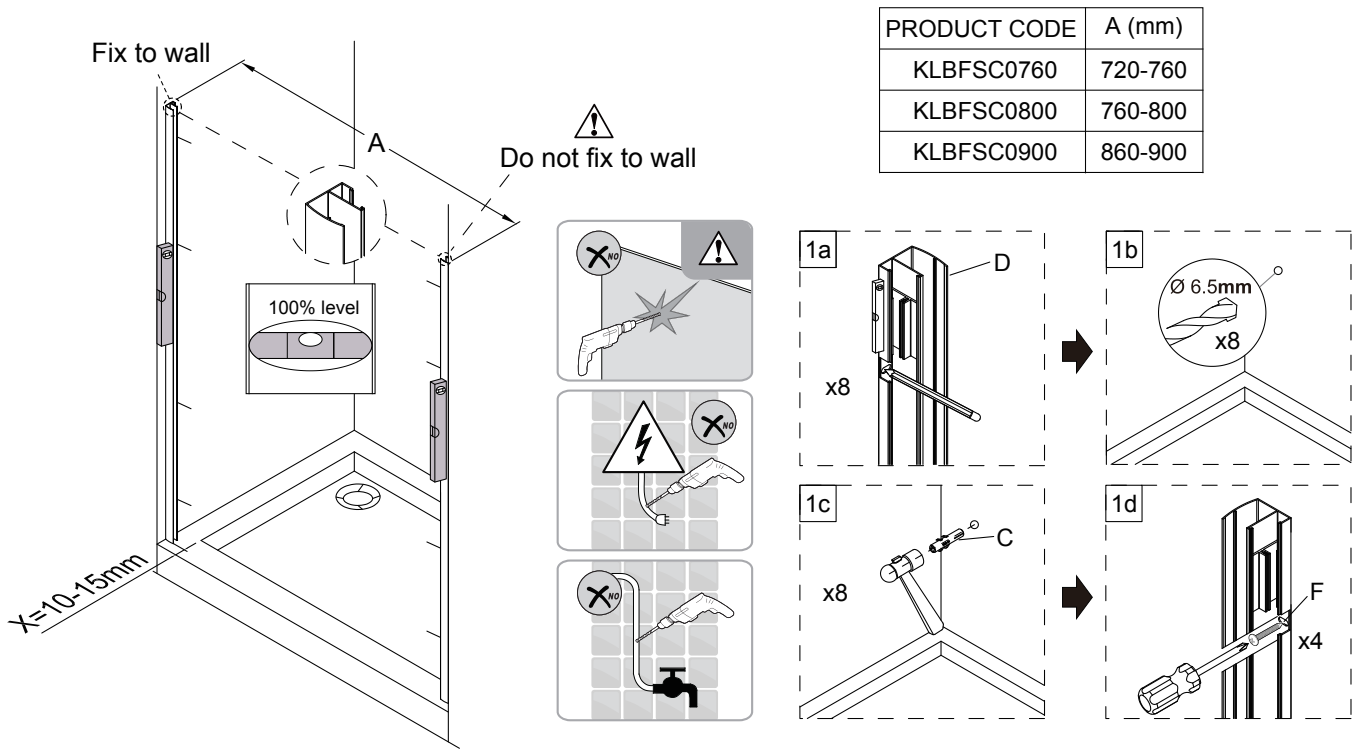
G		ST4*8 x6
H		Upright seal x2
I		Handle x1

AA		Cap for Corner post profile x2
AB		Cap for adjusting profile x1
AC		Cover strip x1
AD		ST4*8 x3

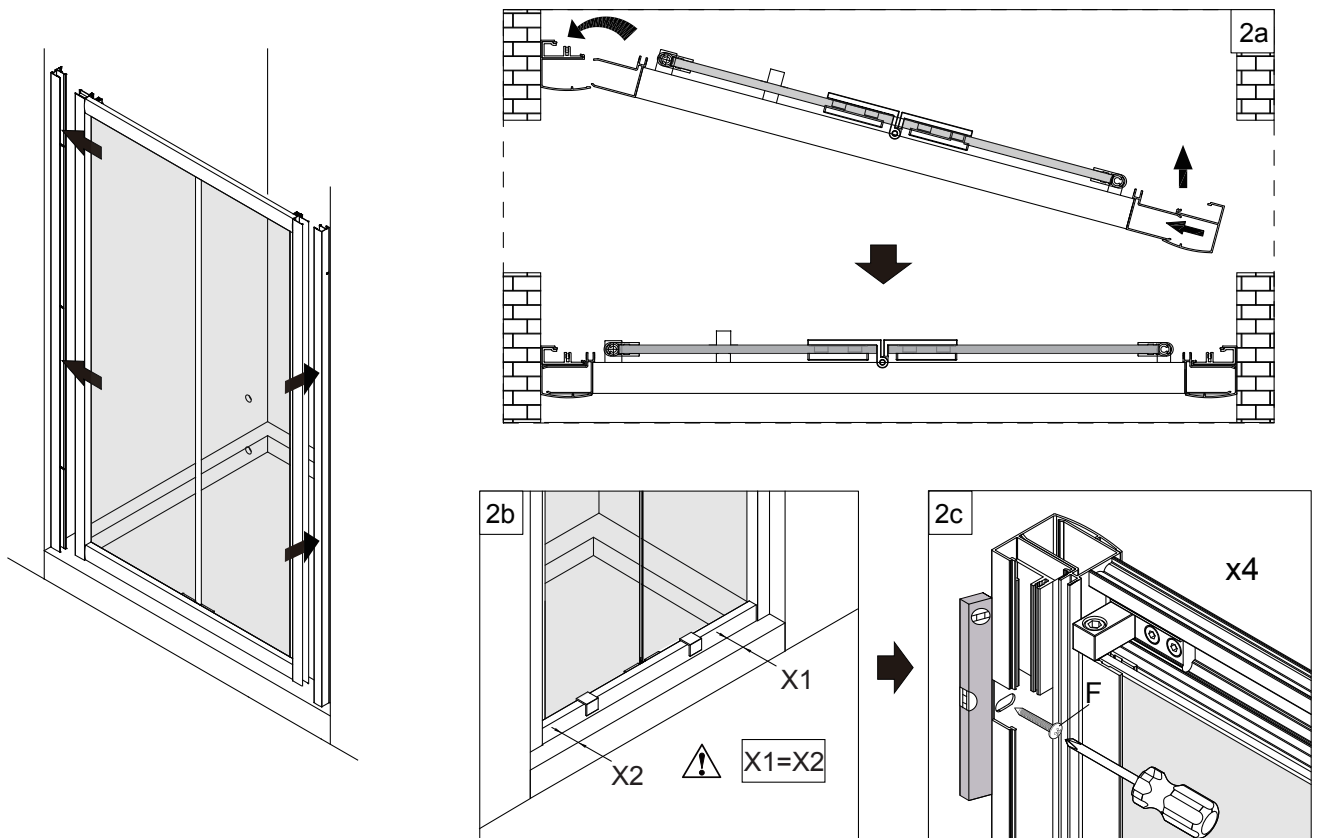
Tools and equipment needed

Drill, 6mm Masonry drill bit, 3.2mm General drill bit, Philips screwdriver, Spirit level, Pencil, Scissors, Silicone sealant.

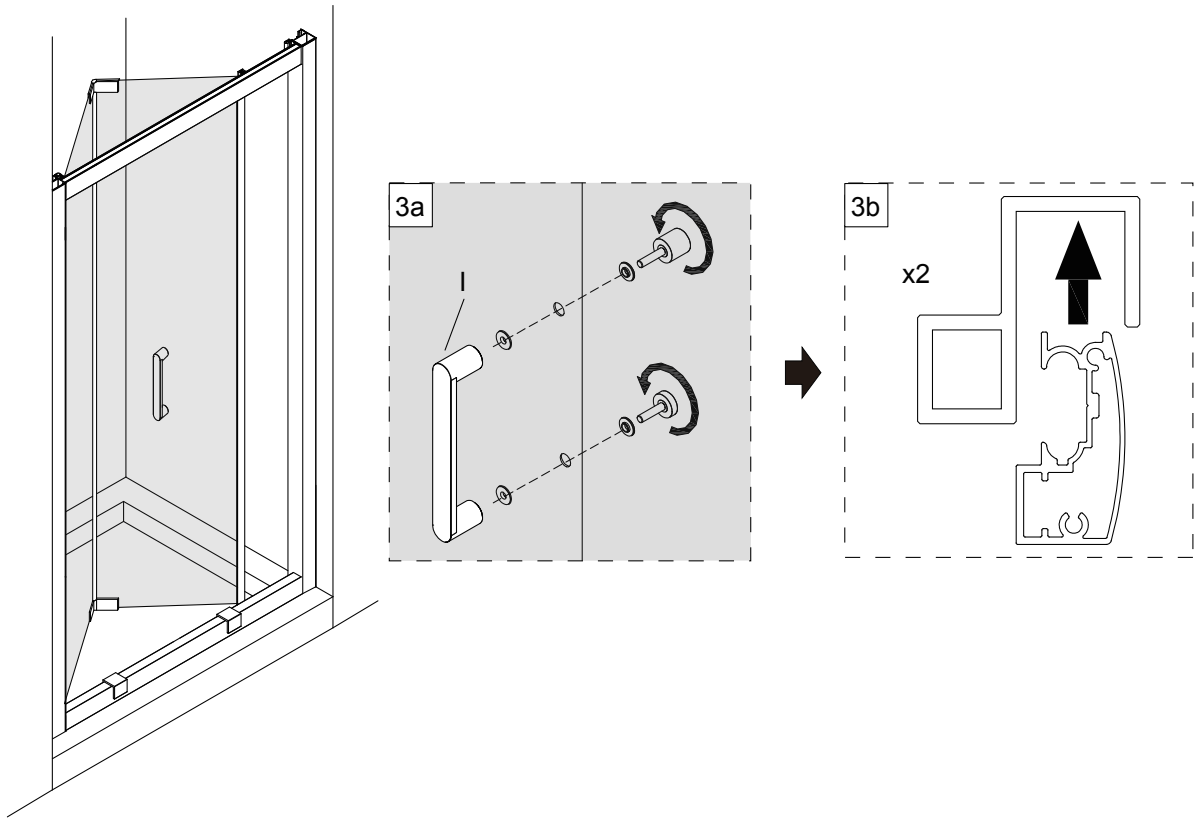
Step 1



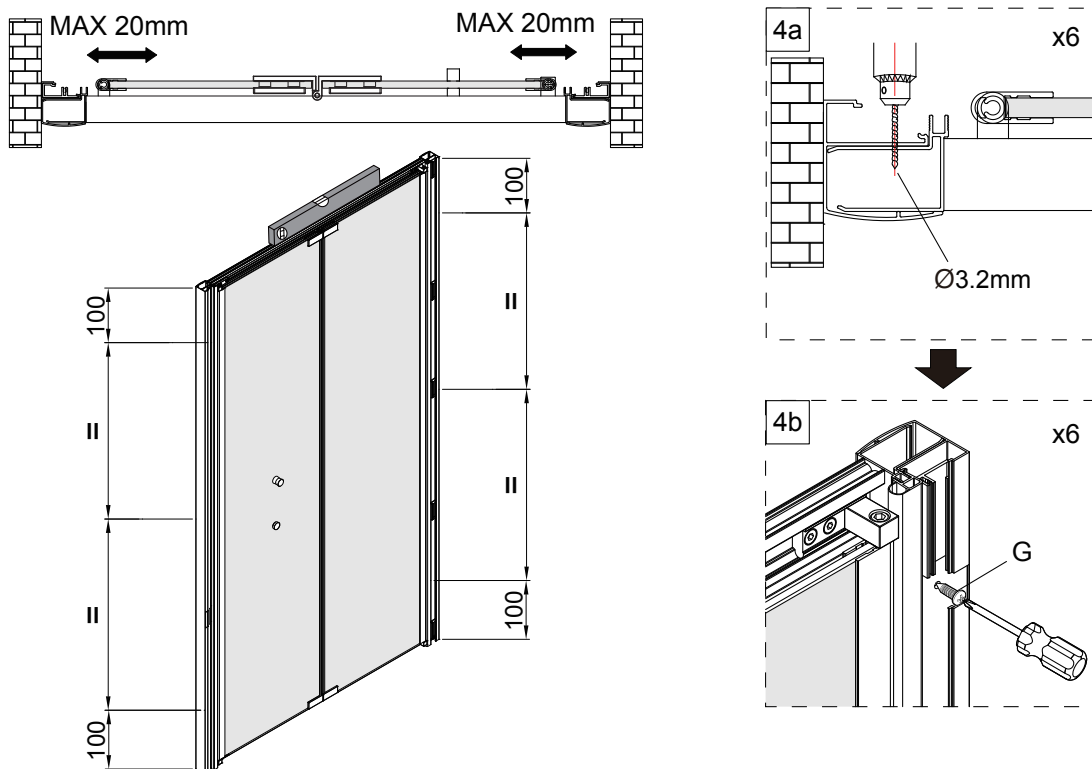
Step 2



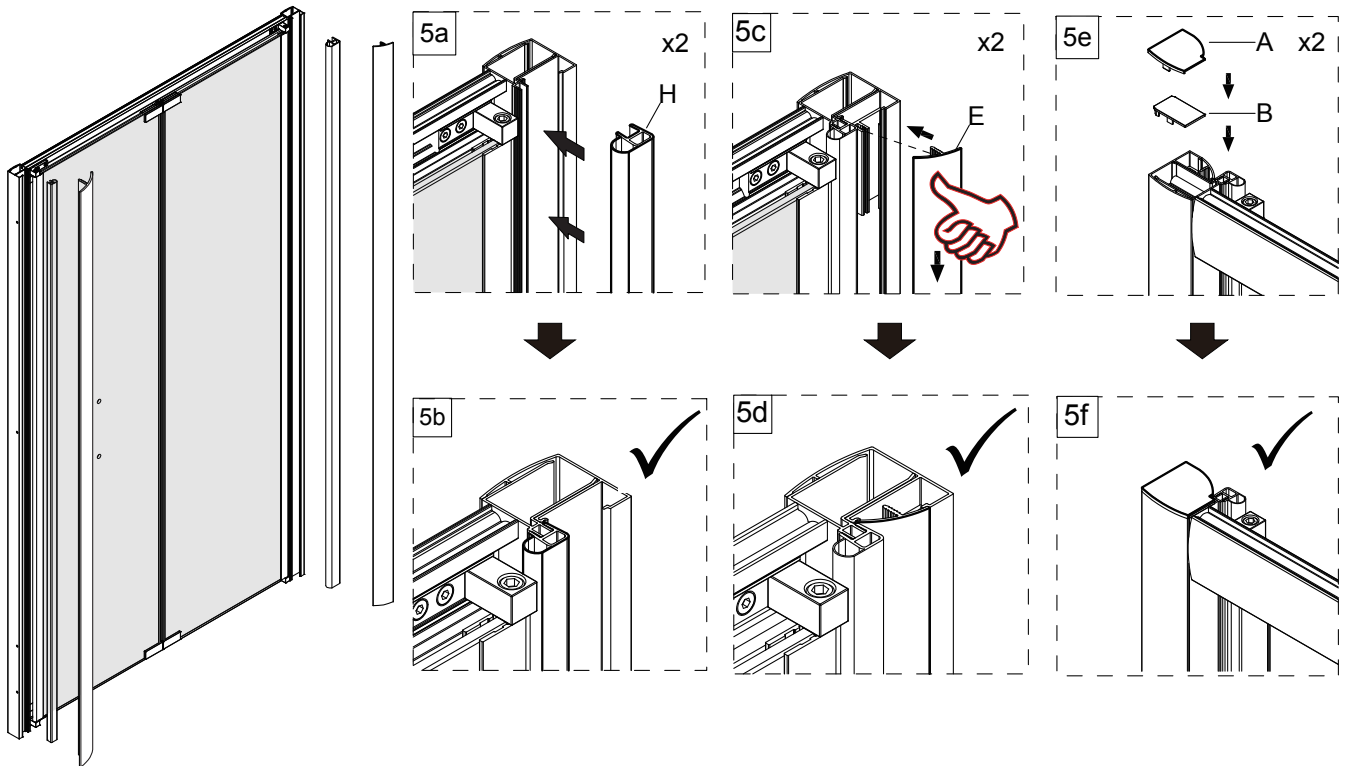
Step 3



Step 4



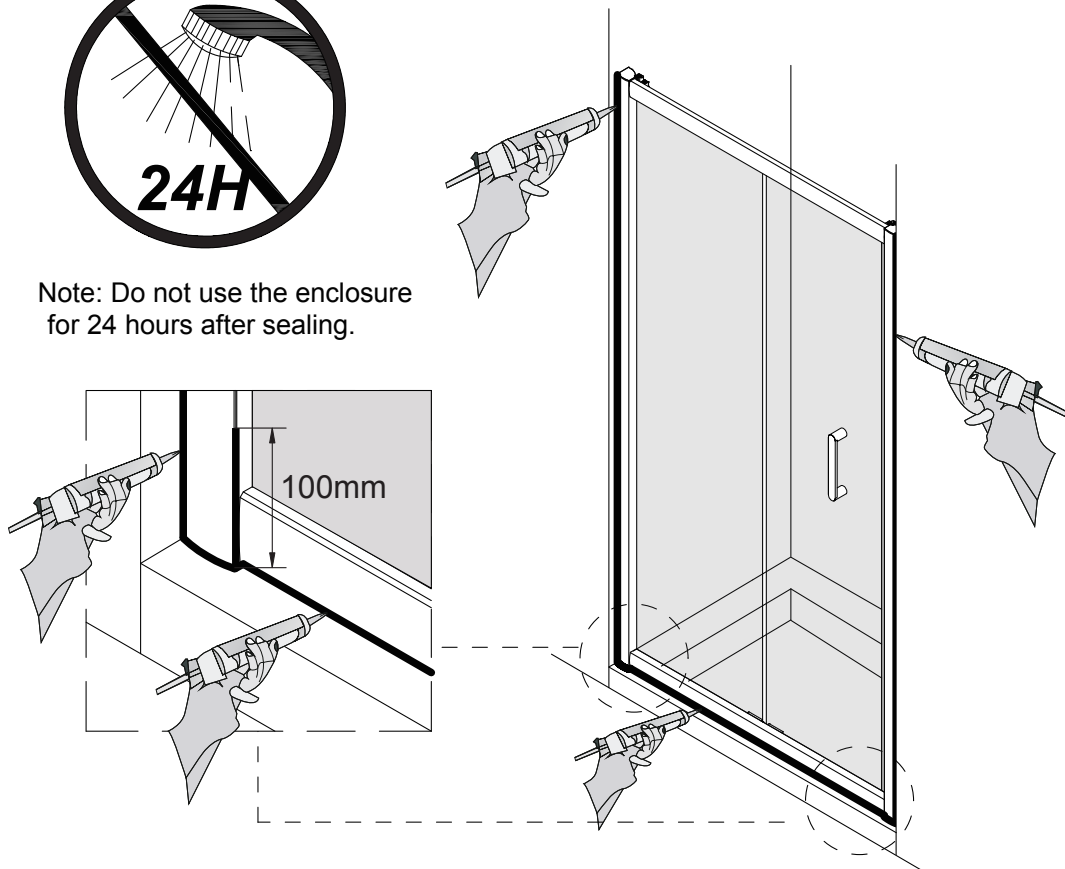
Step 5



Step 6

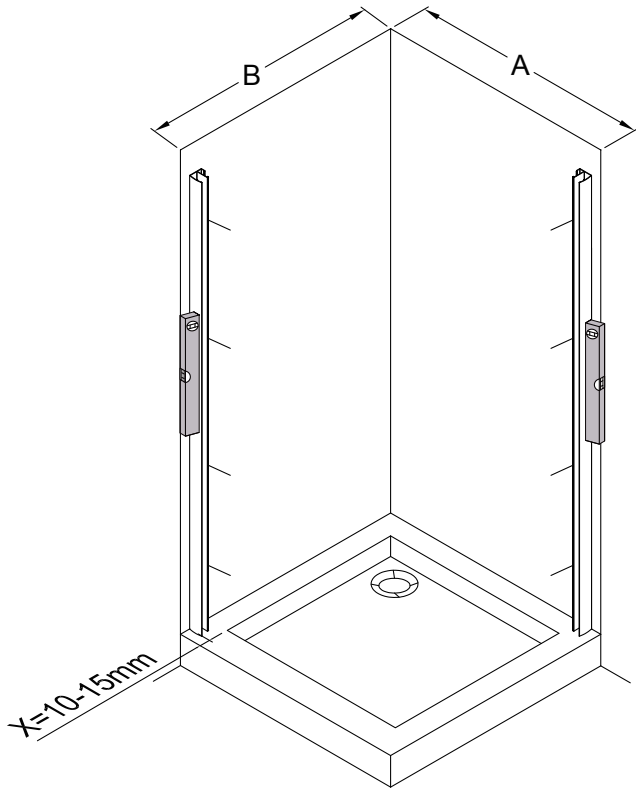


Note: Do not use the enclosure for 24 hours after sealing.



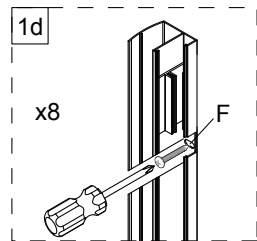
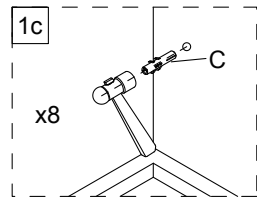
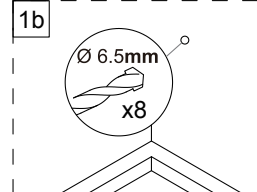
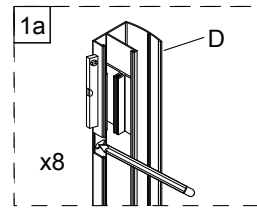
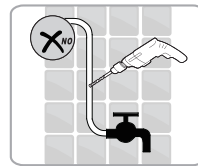
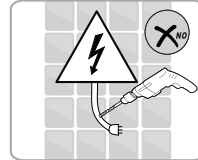
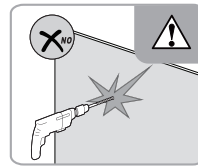
BIFOLD DOOR & SIDE PANEL

Step 1

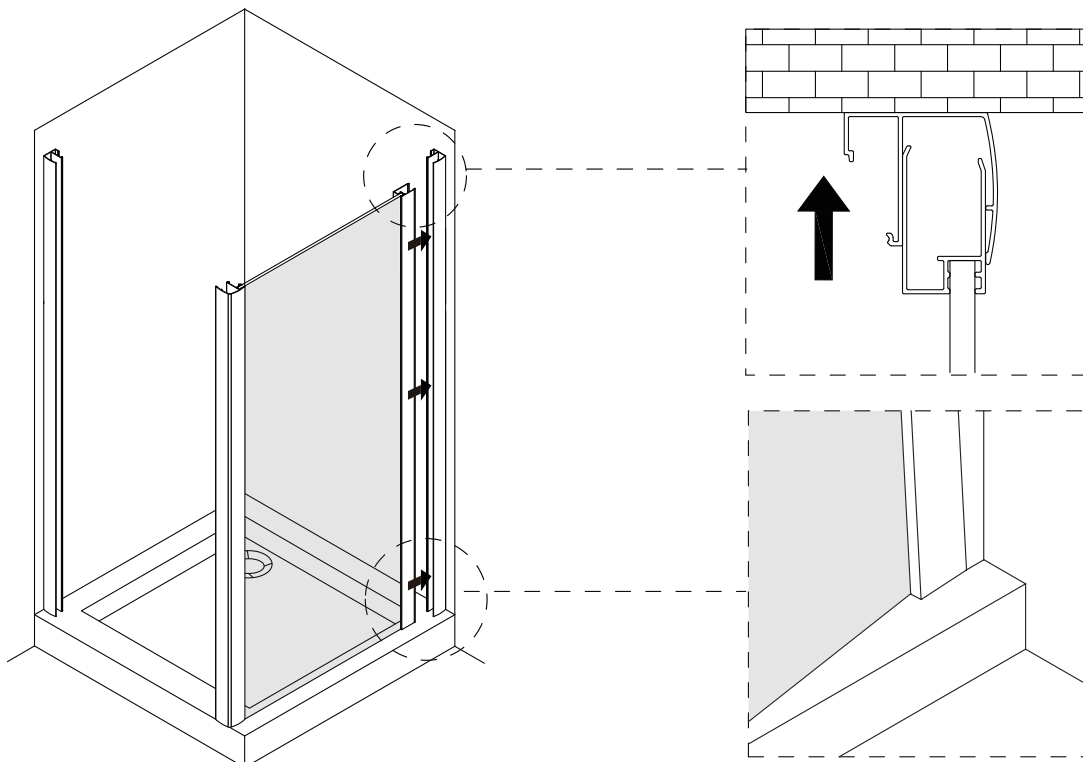


PRODUCT CODE	A (mm)
KLBFSC0760	720-760
KLBFSC0800	760-800
KLBFSC0900	860-900

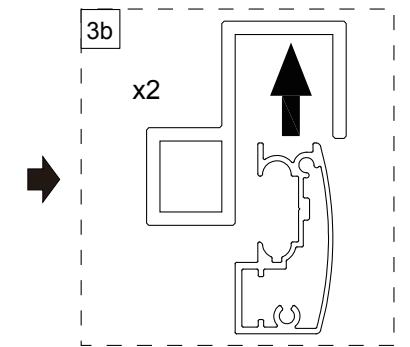
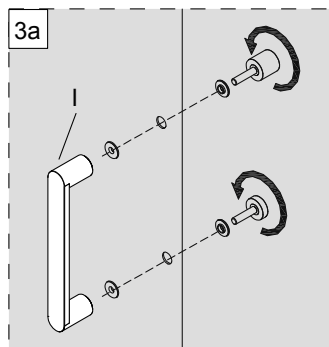
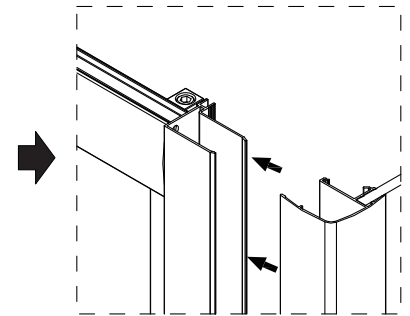
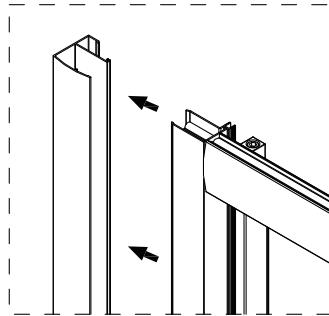
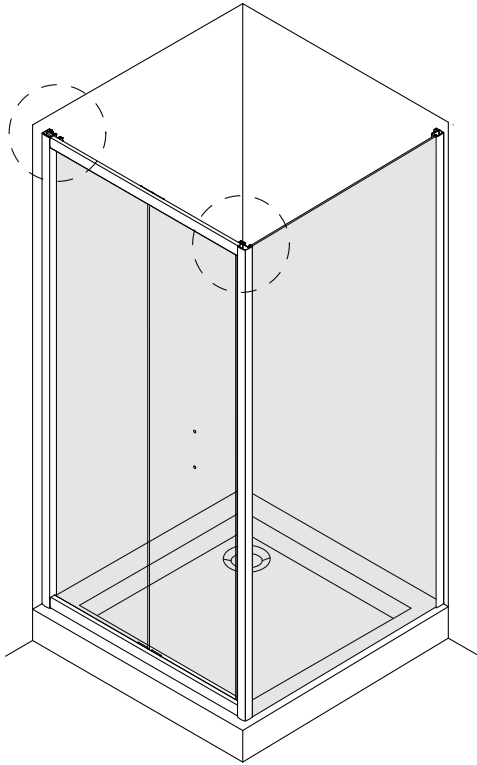
PRODUCT CODE	B (mm)
KLSPSC0760	730-750
KLSPSC0800	770-790
KLSPSC0900	870-890



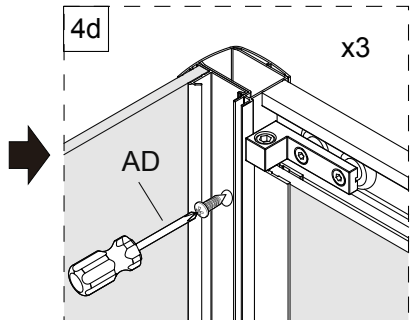
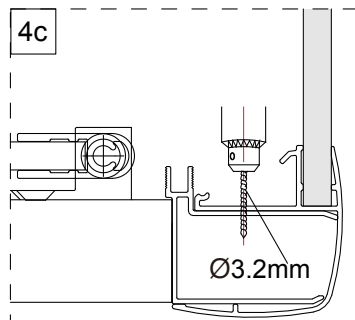
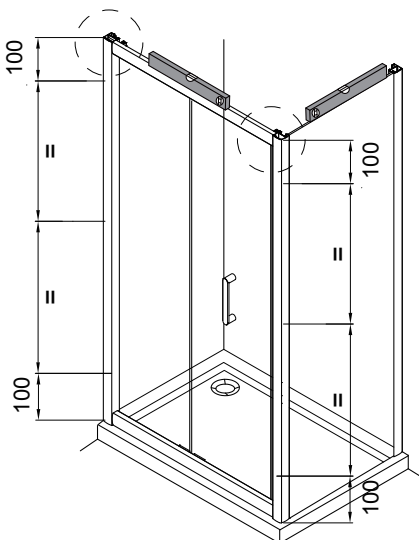
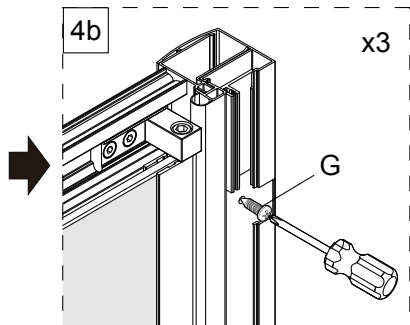
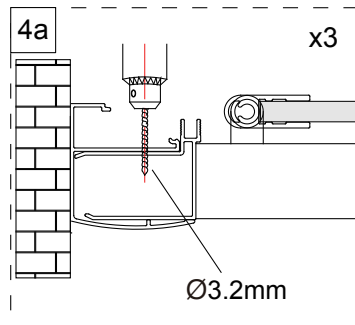
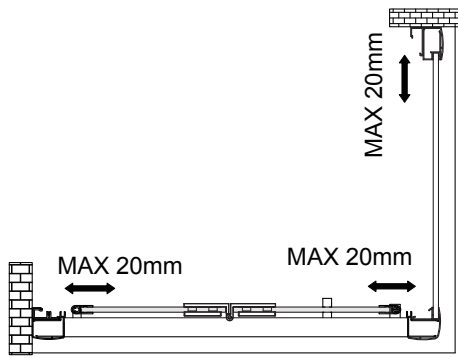
Step 2



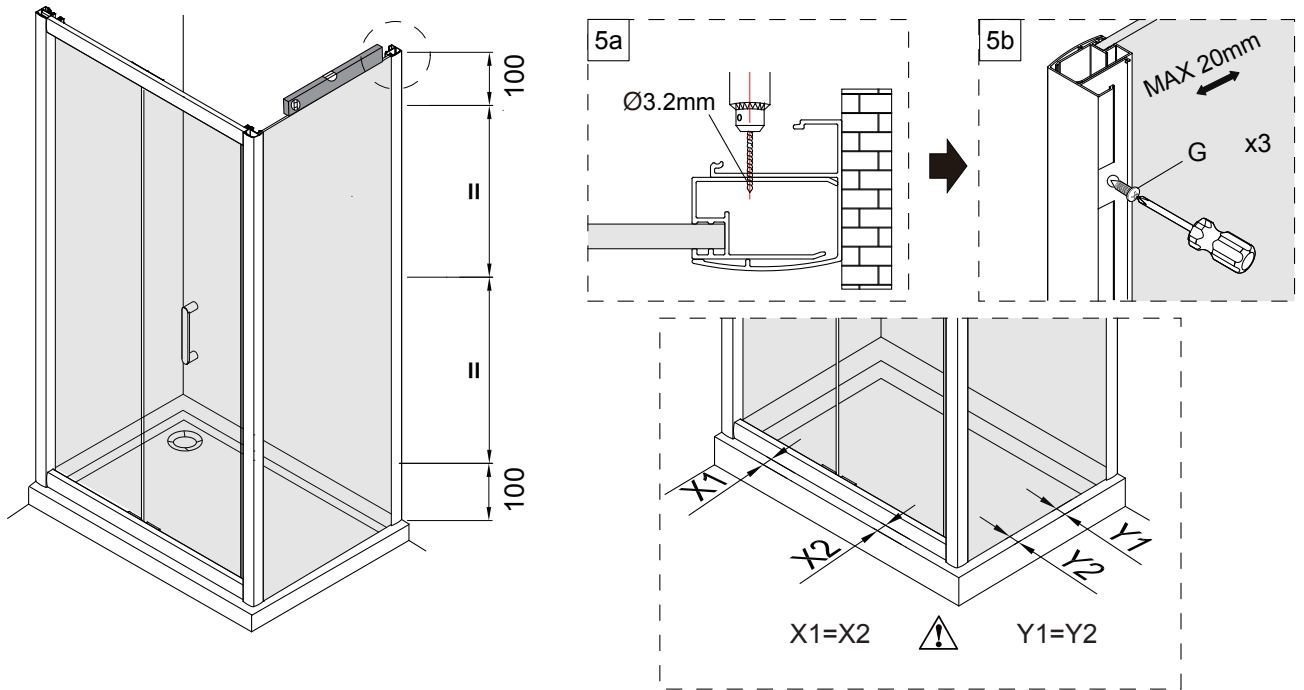
Step 3



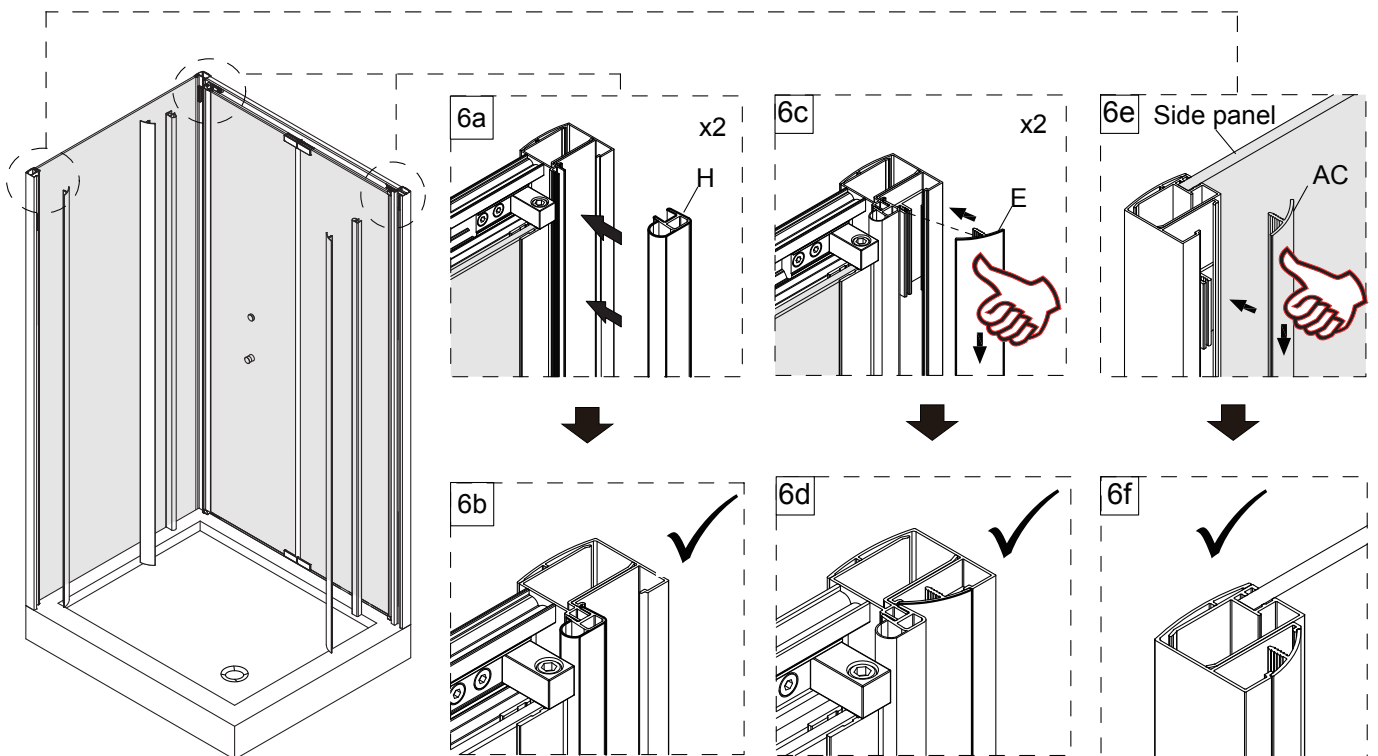
Step 4



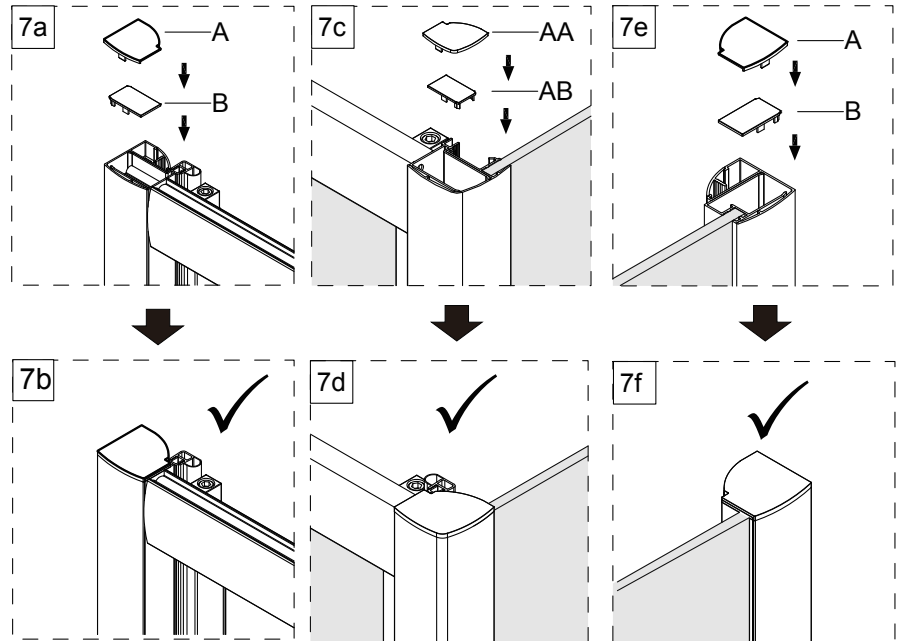
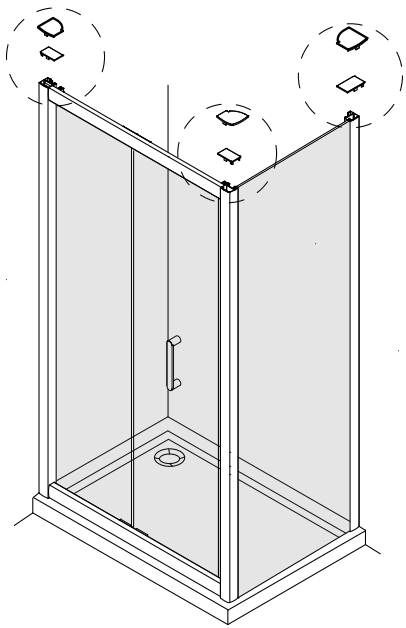
Step 5



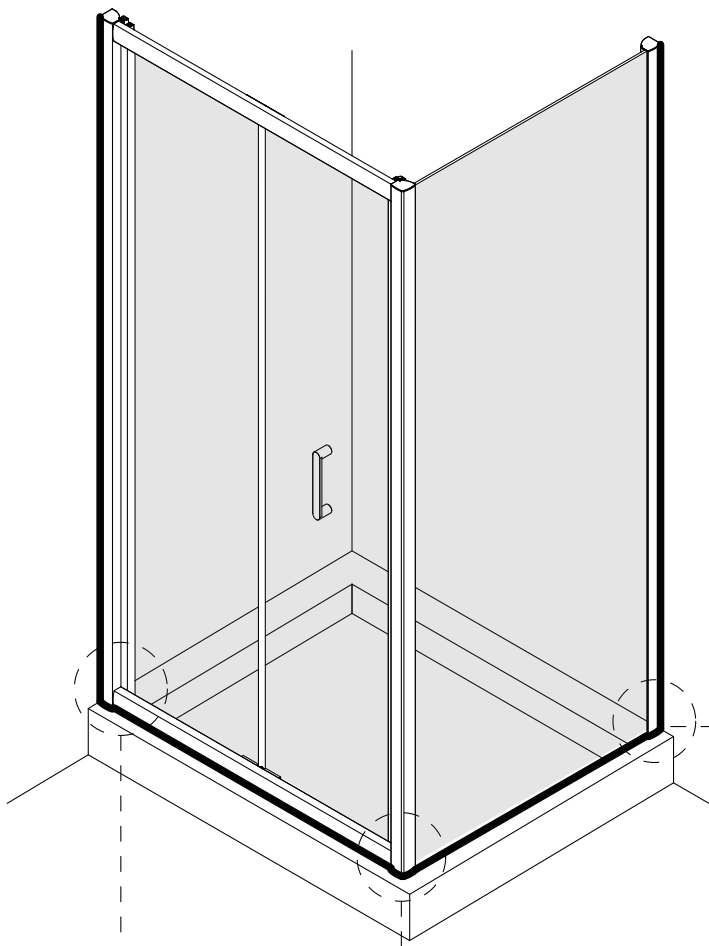
Step 6



Step 7



Step 8



Note: Do not use the enclosure for 24 hours after sealing.

