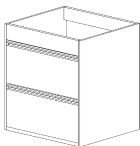

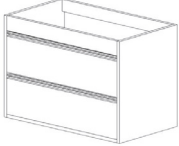
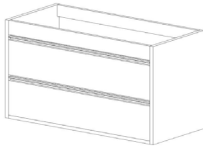
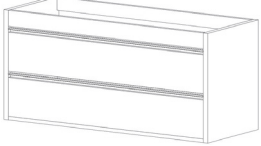

KL5000DWG X: 490 mm	KL6000DWG X: 590 mm	KL8000DWG X: 790 mm	KL1000DWG X: 990 mm	KL1200DWG X: 1190 mm
KL5000DGO Y: 480 mm	KL6000DGO Y: 480 mm	KL8000DGO Y: 480 mm	KL1000DGO Y: 480 mm	KL1200DGO Y: 480 mm
KL5000DHW Z: 455 mm	KL6000DHW Z: 455 mm	KL8000DHW Z: 455 mm	KL1000DHW Z: 455 mm	KL1200DHW Z: 455 mm
				
KL5200DWG X: 490 mm	KL6200DWG X: 590 mm	KL8200DWG X: 790 mm	KL1020DWG X: 990 mm	KL1220DWG X: 1190 mm
KL5200DGO Y: 480 mm	KL6200DGO Y: 480 mm	KL8200DGO Y: 480 mm	KL1020DGO Y: 480 mm	KL1220DGO Y: 480 mm
KL5200DHW Z: 455 mm	KL6200DHW Z: 455 mm	KL8200DHW Z: 455 mm	KL1020DHW Z: 455 mm	KL1220DHW Z: 455 mm

Tools & equipment needed: Drill, 8mm Suitable drill bit, 3.5mm General drill bit, Suitable size hole cutters, Phillips screwdriver, Spirit level, Ruler/tape measure, Pencil, Silicone sealant (clear).



IMPORTANT - Advice and safety - Please read before installation

Please read these instructions carefully before starting installation and keep in a safe place for future reference.

Check the contents of the pack carefully before installation. Bauhaus will not be held responsible for any de-fit / re-fit costs where faulty product has been fitted.

If any fault is found with materials or workmanship, it must be reported immediately to the manufacturer. Remedial action will be taken, based on information received, on condition that:

1. Full details are supplied to the manufacturer;
2. The product has not been modified or tampered with;
3. The manufacturer is informed of any damage/shortages prior to installation.

We do not accept responsibility for any problems that may occur through incorrect installation.



Advice & Safety

This product should only be installed by a suitably qualified Plumber/installer. Should the installation be completed by a non-qualified person any product guarantee maybe considered invalid. For a claim made under our warranty written certification of your installers qualifications can be required.

It is advised that all doors and drawers are removed prior to fitting to avoid unnecessary damage occurring.

Ensure the room is well heated and ventilated.

It is recommended that walls are fully tiled before furniture and accessory installation. This ensures that the product is installed flat to the tile face and allows product to be easily removed if required in the future.

These instructions have been prepared for your guidance, you must exercise due care at all times.

Please note that some units are heavy. Always take care when lifting, and follow health and safety guidelines. It is recommended that 2 people carry out the installation of larger basin/vanity units.

Warning! Please check for any hidden pipes or electrical cables before drilling holes in the floor or walls.

When using power tools always follow the manufacturer's user instructions.

Do not over tighten tap or waste fittings, doing so may result in damaging the basin.

Care & Cleaning

NEVER use products containing bleach, cleaners of a gritty or abrasive nature or so called "glass and mirror" cleaning products. Use a well wrung chamois leather or micro fibre cloth for furniture carcasses.

Ceramic fine fire clay wash basins should only be cleaned with a mild detergent or warm soapy water; in hard water areas a good quality limescale remover can be applied.

Clean mirrors only with a micro fibre cloth.

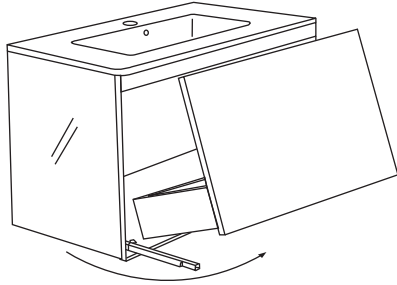
If any maintenance is required then it must be carried out by a qualified Plumber.

INSTALLATION INSTRUCTIONS

Single Drawer Basin Unit & Basin Installation

Step 1

Remove the drawer before installation. Pull the drawer fully out, lift the front, pull out again, lower and fully remove.

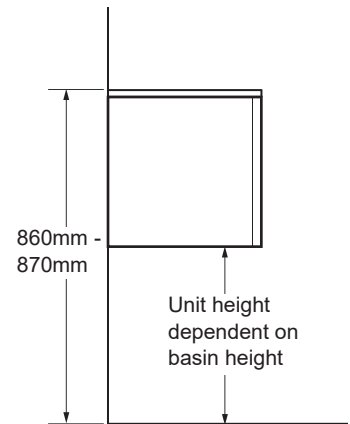


Step 2

Plan unit position

Decide on the position and height of the unit.

The recommended basin height is between 860mm and 870mm.



Step 3

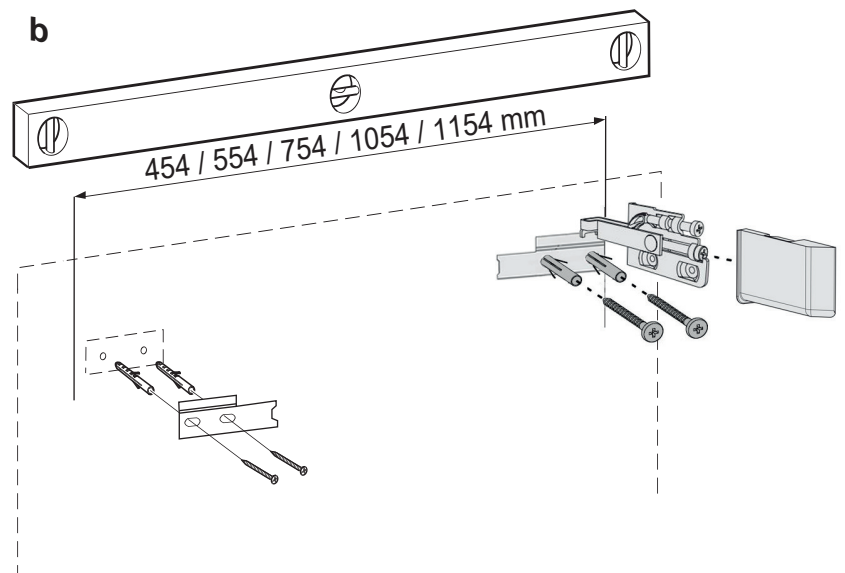
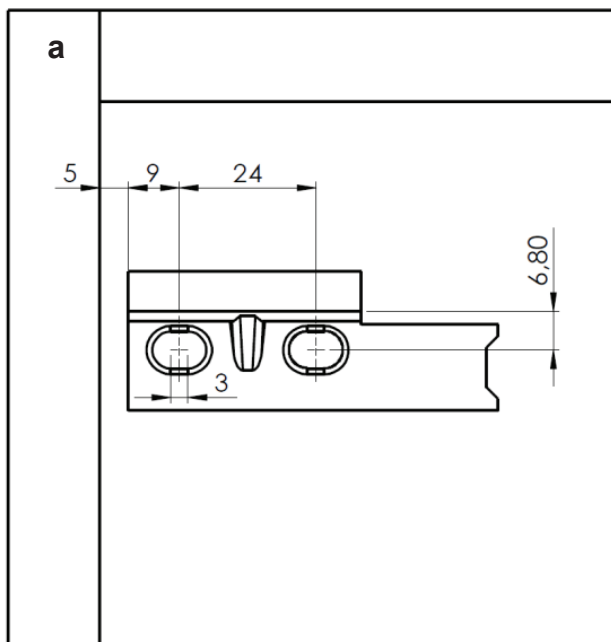
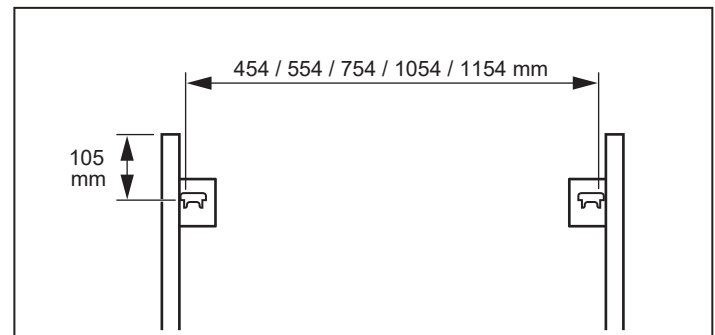
'Wall bracket' installation

Use the measurements above, to position the 'wall brackets'.

a: Important: The measurements given above are the maximum the brackets can be spaced apart, the brackets must fit within that measurement.

b: Mark the bracket fixing holes onto the wall.
Drill $\text{\O} 8\text{mm}$ holes, insert the wall plugs supplied on solid walls, use suitable wall fixings for dry-wall

Important: If the basin unit and/or basin are not fitted level this may result in the basin not draining correctly.

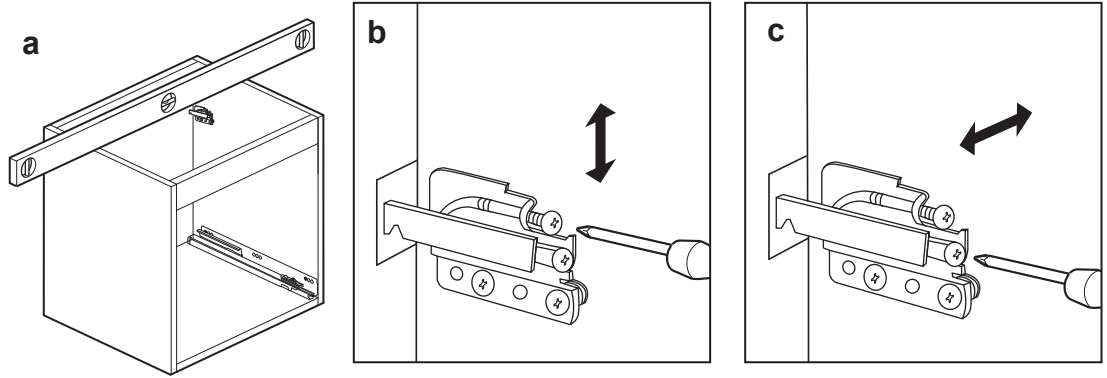


Step 4

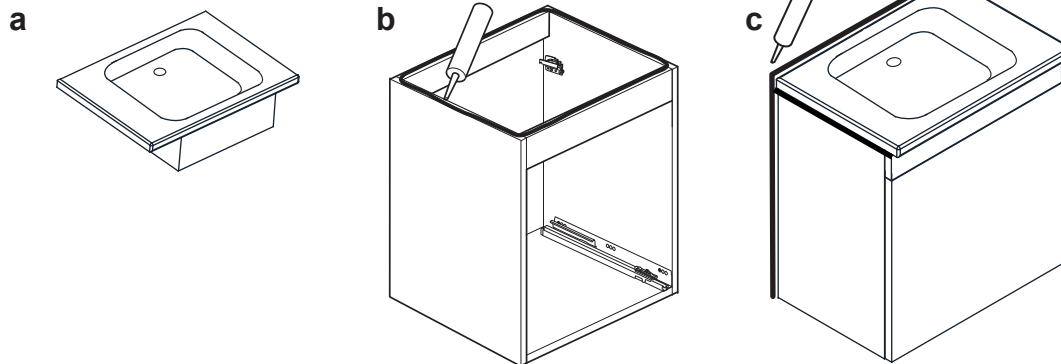
a: Check the unit is level.
If levelling is required, use a screwdriver to adjust the hanging position, as follows:

b: To lift or lower the unit, adjust the screw shown.

c: To move the unit closer or further from the wall, adjust the screw shown.



Step 5



a: Attach the tap to basin and carefully bed in the waste using silicone **only**.

b: Carefully apply silicone to the top edges of the unit.

c: Carefully position the basin down onto the unit, ensure it is centrally positioned and flush at the back.

Connect the tap and waste.
Apply a bead of silicone to the join between the basin/unit and wall, on all 4 sides.

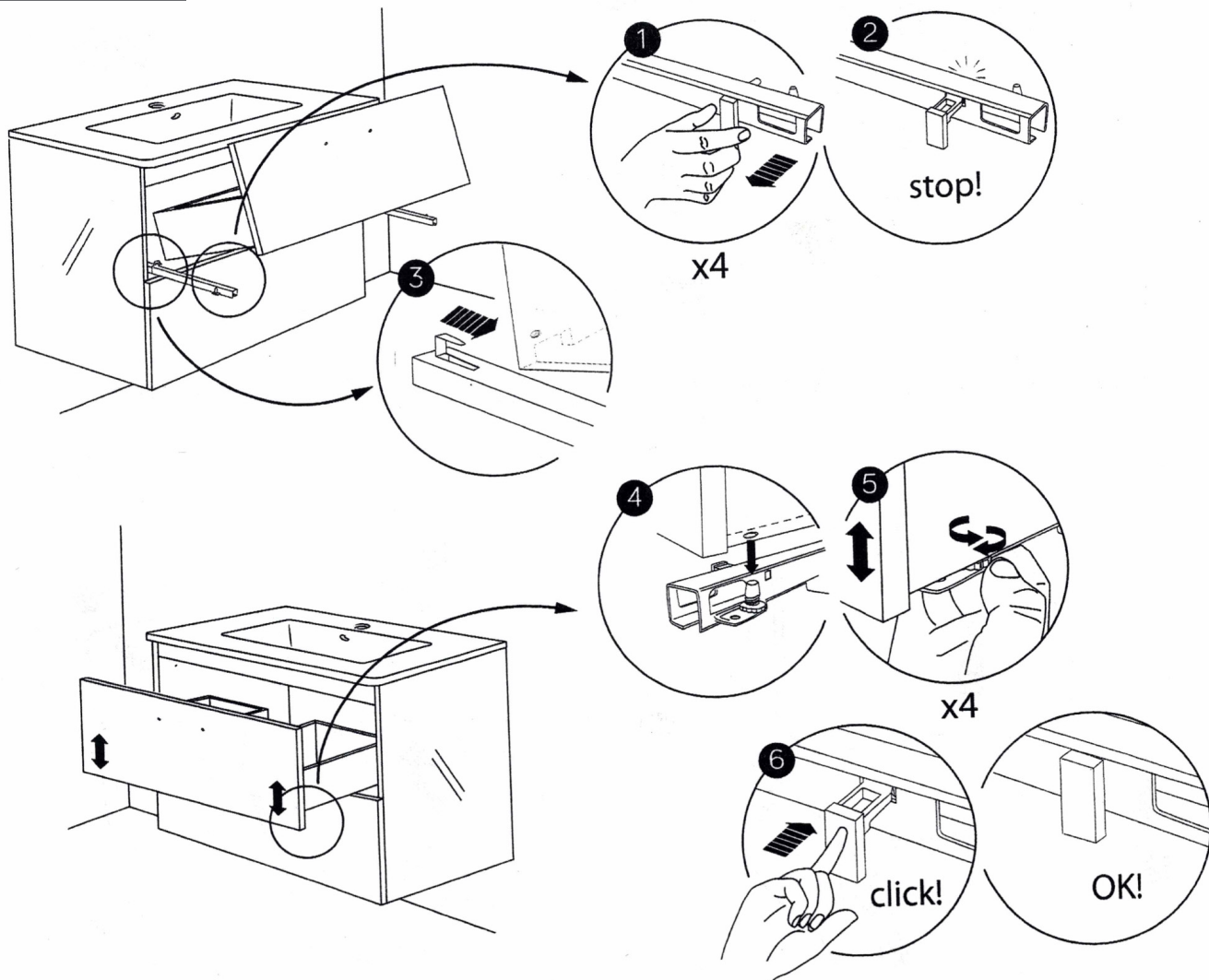
Leave silicone, 24 hours to dry.

Note: Basin waste and taps fittings when over tightened can create stress within the basin material which may in time cause the failure of the product. Waste fittings should be carefully bedded in silicone and the back nut hand tightened

an additional quarter turn using a suitable spanner is sufficient to create the required watertight seal. Care should also be taken when fitting brassware to tap platforms in order to prevent similar stress related failures.

Step 6

Re-fit drawer: Pull both drawer runners fully out and test to make sure the drawer operates correctly.



crosswater^x

For any further information please contact
Bauhaus on: **0845 873 8840**

Or visit our web-site at:
www.crosswater.co.uk

The manufacturer reserves the right to make technical
modifications without prior notice.