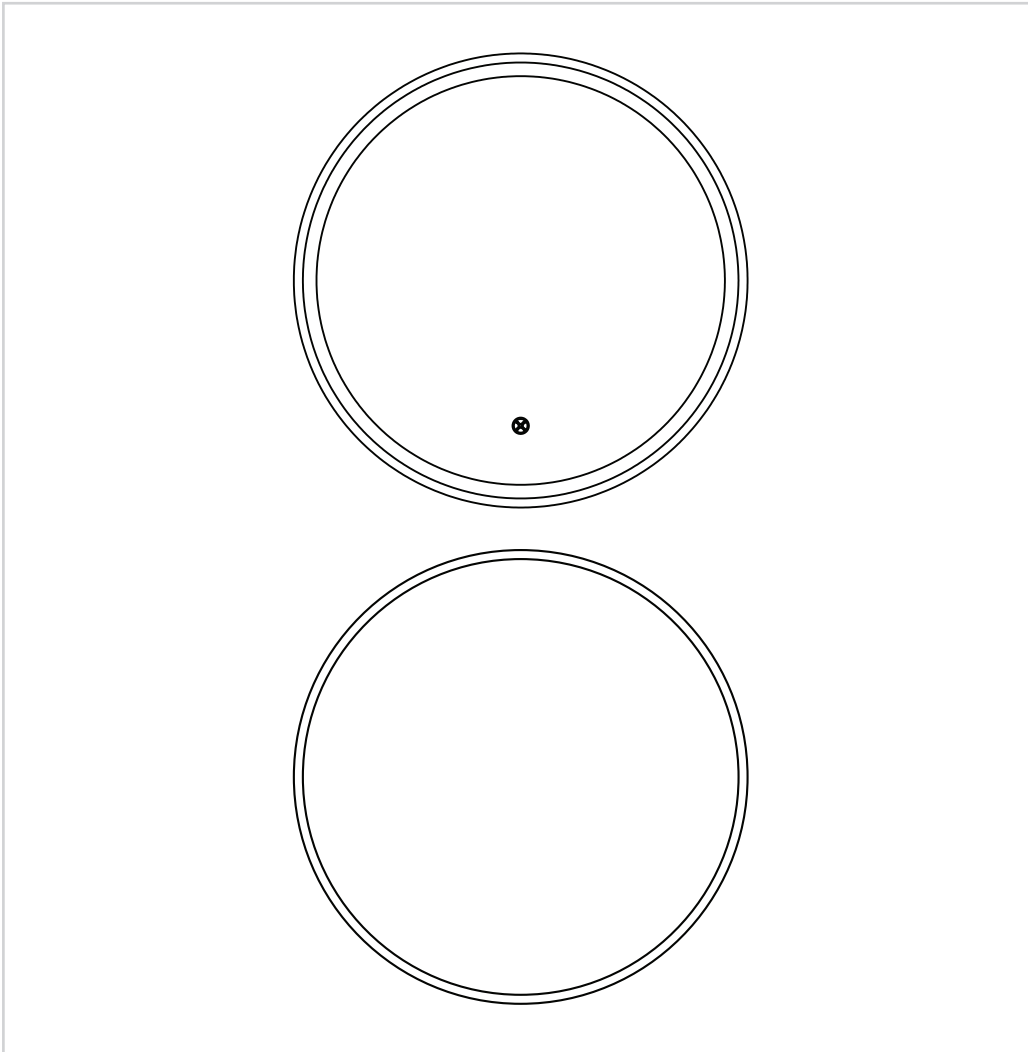


Infinity Illuminated Mirror

Infinity Non-Illuminated Mirror

**PRODUCT CODES:**

IF_MIRROR50

IF_MIRROR60

IF_MIRROR70

IF_NIMIRROR50

IF_NIMIRROR60

IF_NIMIRROR70

**IMPORTANT INFORMATION BEFORE YOU START**

Please read carefully and keep this information for further reference.

Thank you for buying a Crosswater Product. To ensure that it works to its full potential, it needs to be fitted correctly. Check the contents of the pack carefully before installation.

Crosswater will not be held responsible for any de-fit/re-fit costs where faulty product has been fitted. If any fault is found with materials or workmanship, it must be reported immediately to the manufacturer. Remedial action will be taken, based on information received, on condition that:

1. Full details are supplied to the manufacturer.
2. The product has not been modified or tampered with;
3. The manufacturer is informed of any damage/shortages prior to installation.
4. The product has not been installed, or attempts have been made to install.

We do not accept responsibility for any problems that may occur through incorrect installation. This product should only be installed by a suitably qualified plumber/installer. Should the installation be completed by a non-qualified person any product guarantee may be considered invalid. For a claim made under our warranty, written certification of your installer's qualifications may be required.

IMPORTANT ADVICE & SAFETY - please read before installation

Please read these instructions carefully before starting installation and keep in a safe place for future reference.

Please use the supplied wall fixing bracket and follow the correct installation method. If the instructions are not followed appropriately there is an increased safety risk to the user. It is important to install light fittings in the correct bathroom zone i.e. the zone referred to in the IP rating of the element. This is not an installation guide and reference should be made to the latest edition of the IET Wiring Regulations or a qualified electrician member of NICEIC or IET.

ZONE 0 is inside the bath or shower tray itself. Any appliance used in this zone must be rated at least IP67 which is total immersion proof.

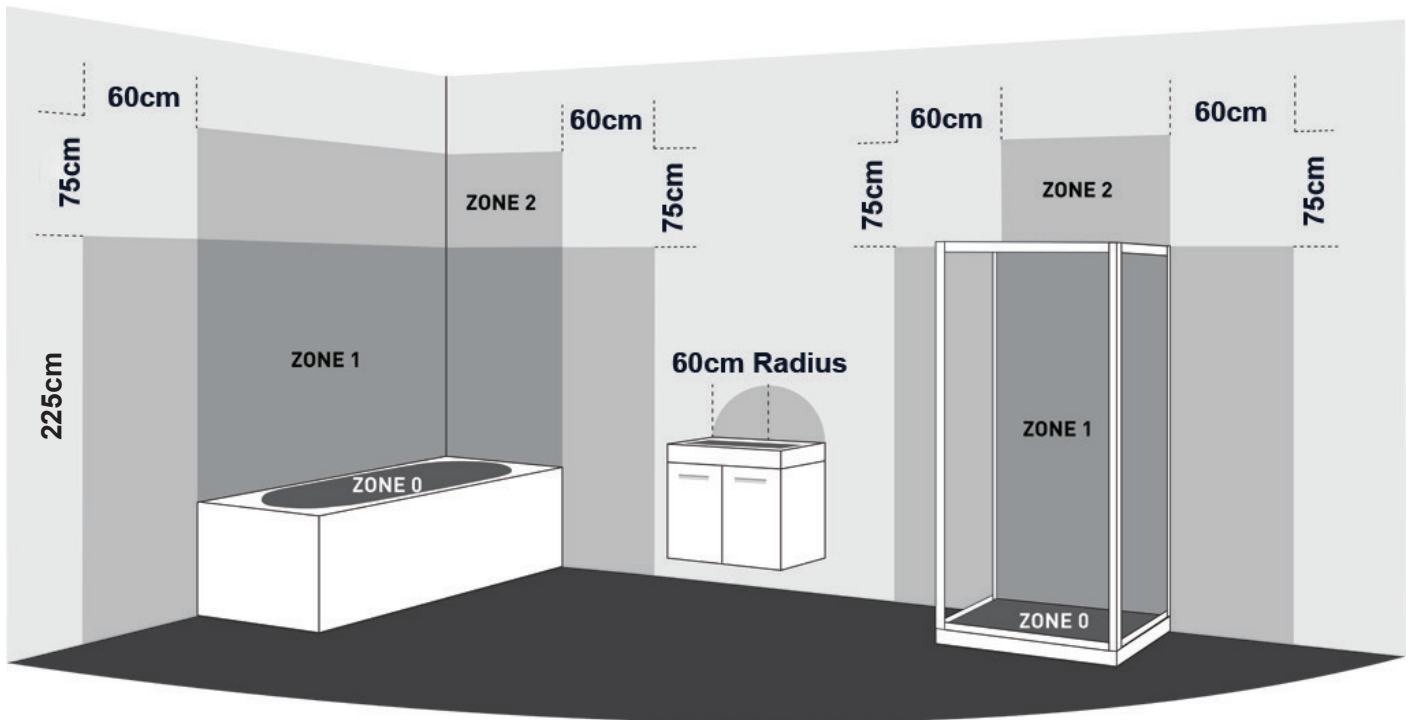
ZONE 1 is the area above the bath or shower tray to a height of 2.25m from the floor. In this zone a minimum rating of IPX4 Splash-proof is required and elements must also be protected by a 30mA residual current device (RCD) to protect the circuit.

The electrical connection to the power supply for these appliances must be in Zones 2/3 of the bathroom in compliance with BS 7671:2008(2011) - IET Wiring Regulations.

ZONE 2 is an area stretching 0.6m outside the perimeter of the bath and to a height of 2.25m from the floor. In this zone an IP rating of at least IP44 is required. In addition it is good practice to consider the area around a washbasin, within a 60cm radius of any tap to be considered as zone 2.

Appliance must also be protected by a 30mA residual current device (RCD) to protect the circuit.

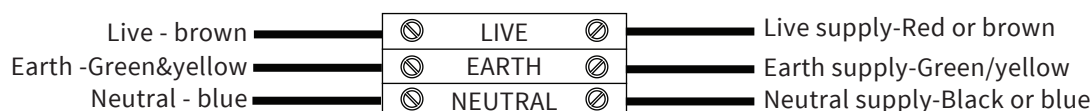
It is recommended that all electrical bathroom products should only be fitted by a suitably qualified, Part P registered electrician in accordance with current IEE regulations. Failure to have electrical products installed and certificated by a qualified electrical engineer will invalidate any product guarantee. For full details reference should be made to the latest copy of the IET wiring regulations and all applicable British Standard and European norm specifications.



This product is IP44 rated and is suitable for installation within zone 2 above, and complies with the following safety standards:

EN 60598-2-1:1989, EN 60598-1:2015, EN 62493:2015

WIRING DIAGRAM



This product is Class I rated and MUST be earthed. Supply 240v/50hZ maximum

BEFORE YOU START







Important Pre-Installation Notes

Remove all packaging and check the fitting for damage before starting installation.

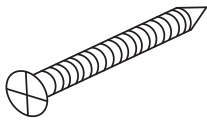
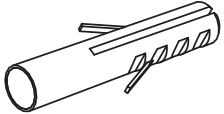
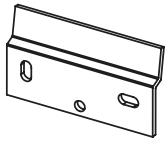
Before starting any installation please consider the following: before drilling into walls, check that there are no hidden electrical wires, cables or water supply pipes. This can be checked with the aid of an electronic detector. If power tools are used do not forget to:

- Wear eye protection
- Unplug equipment after use

Tools Required (not supplied):

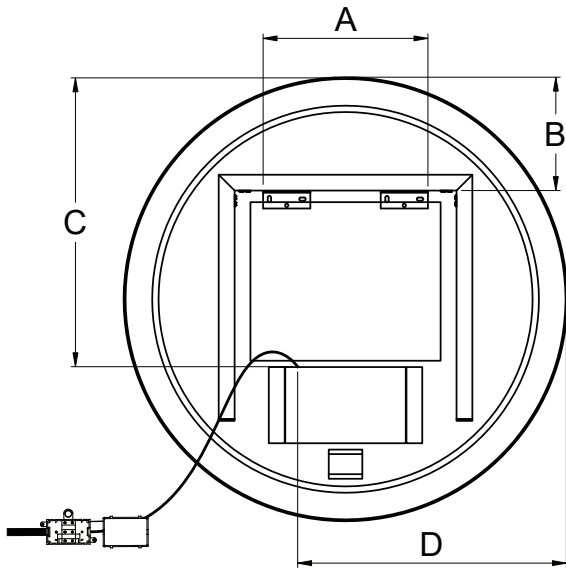
Drill + 8mm Drill Bit		Safety Goggles	
pencil		Screw Driver (Phillips No 2)	
Tape Measure		Spirit Level	

COMPONENTS

6 X Fixing Screws		6 x Wall Plugs for solid wall only	
2 X Wall Brackets			

INSTALLATION

1



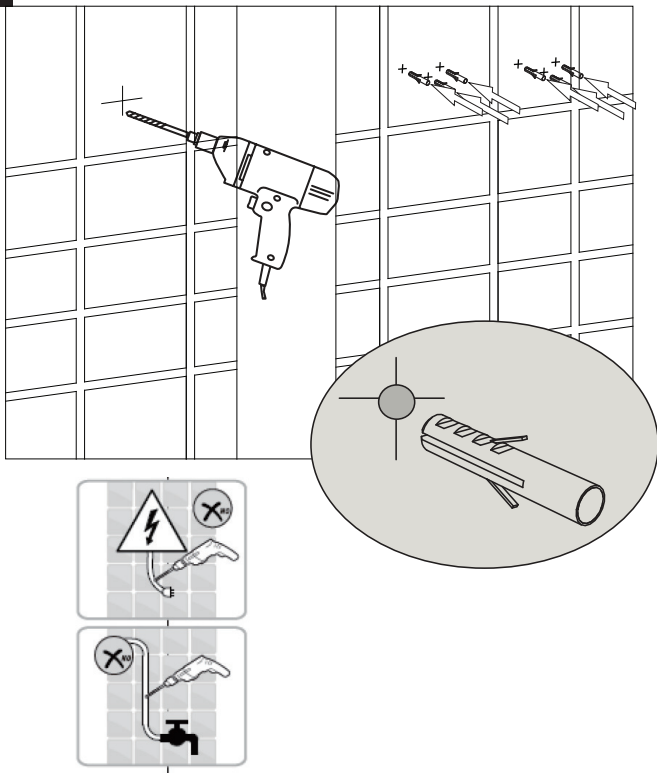
Offer the mirror up to the desired wall location considering the safety zone

requirements. Using spirit level ensure the mirror is level and upright and

mark top of mirror. Using a soft pencil mark carefully the 2 fixing points.

	A	B	C	D
IF_MIRROR50	145mm	159mm	257mm(±5)	325mm(±5)
IF_MIRROR60	245mm	180mm	357mm(±5)	375mm(±5)
IF_MIRROR70	255mm	179mm	457mm(±5)	425mm(±5)

2



Carefully drill the required holes and insert wall plugs. Note screws and plugs supplied are suitable for solid walls only.

Prepare the power supply, 240V/50HZ maximum.

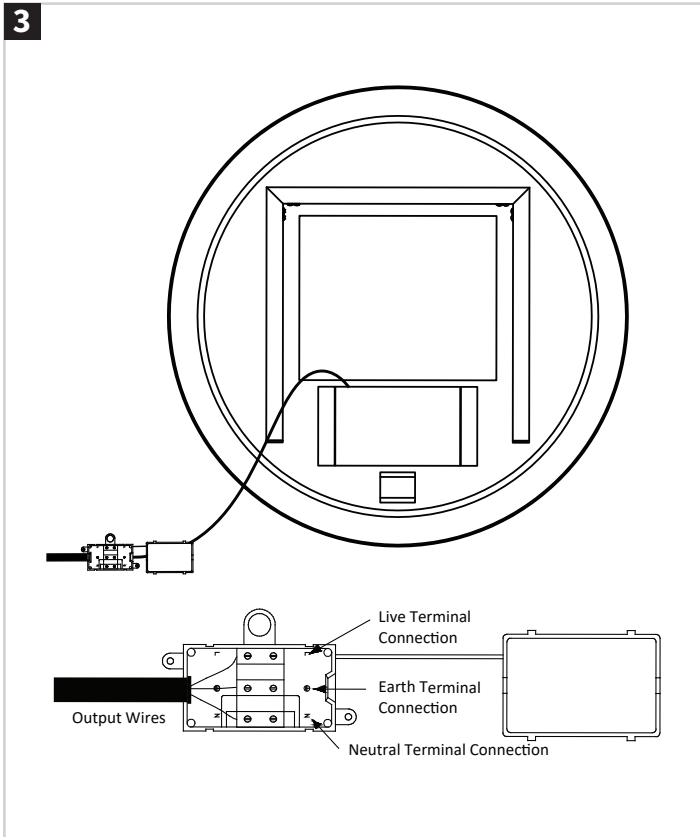


ENSURE THAT THE MAINS VOLTAGE SUPPLY TO WHICH THE CABINET IS BEING CONNECTED IS ISOLATED

The cabinet is manufactured to Class 1 and requires an earth connection. All electrical work and testing must be completed by a qualified electrical engineer in accordance the latest IET Regulations.

INSTALLATION

3



Remove the cover from the electrical connection box. Using a suitable terminal screwdriver make secure connections as follows:

Colour Coding:

L - Live = Brown

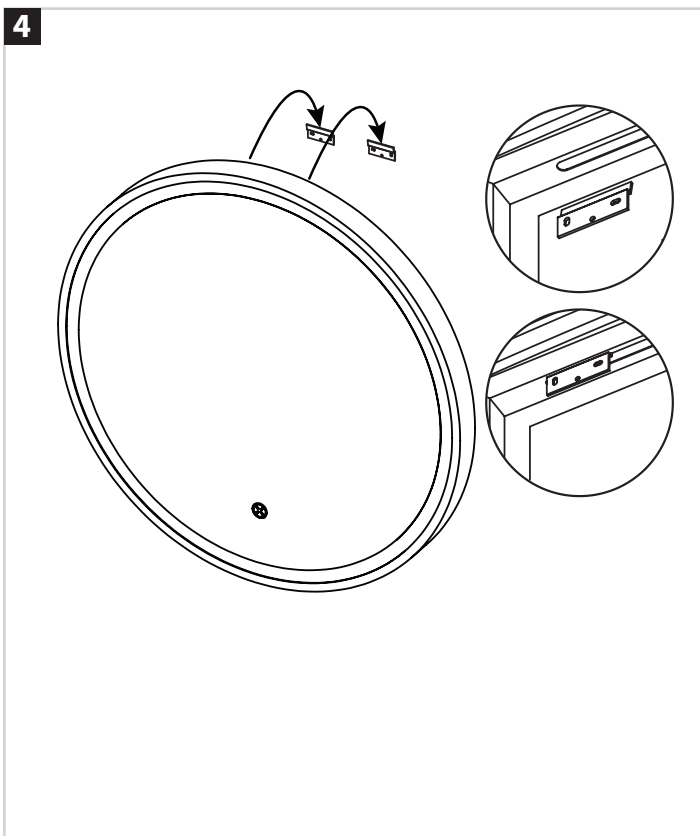
N - Neutral = Blue

Earth = Green & Yellow

THIS PRODUCT IS MANUFACTURED TO CLASS I CATEGORY AND MUST HAVE AN EARTH CONNECTION



4



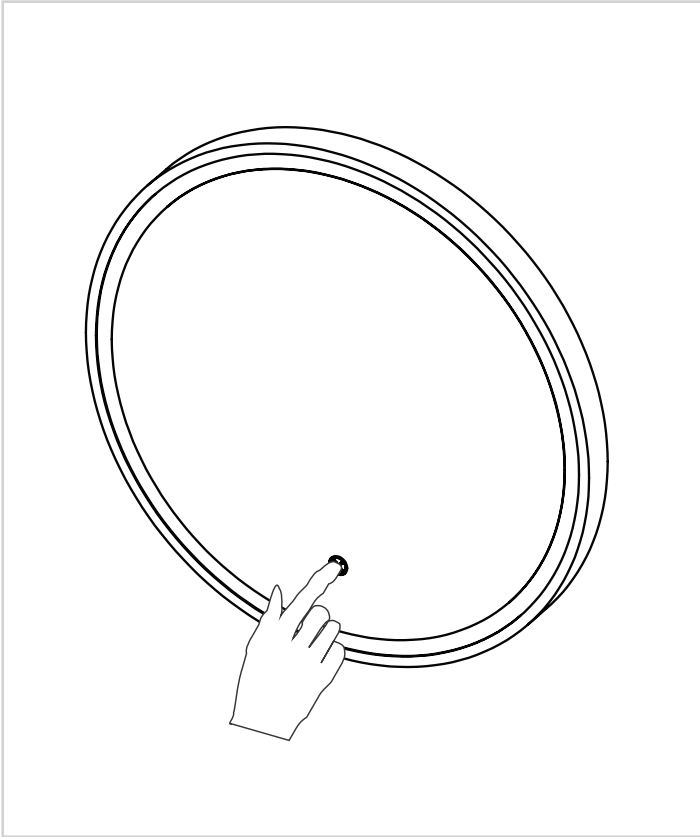
Hang the mirror onto brackets.

Apply a bead of clear silicone sealant on all sides between the mirror frame and wall surface. Allow to dry for 24 hours.

Reconnect the electrical power supply.

Remove protective film from the mirror face, and clean as directed below.

OPERATING INSTRUCTIONS



To turn illumination on touch the sensor once.

To change the colour temperature, touch and hold the sensor until desired light temperature warm or cool is obtained.

The colour temperature is then set until changed again.


LED Type

This product contains a light source of energy efficiency class <E>.

Model	Led Parameter	Led Driver
IF_NIMIRROR50	156 Leds	15 W
IF_NIMIRROR60	198 Leds	15 W
IF_NIMIRROR70	234 Leds	15 W

CARE & MAINTENANCE



Waste Electrical & Electronic Equipment Regulations (WEEE) requires that any electrical products showing the mark above  must not be disposed of with other household or commercial waste. To prevent possible harm to the environment or human health from uncontrolled waste disposal, please separate any such product from other waste types and recycle it responsibly at your local facilities. Check with your Local Authority, Recycling Center or retailer for recycling advice.

Do not strike/hit glass components with hard or pointed items. Do not place very hot or very cold items against or in close proximity to glass surfaces unless a suitably thick insulation material is used. Do not place hot items on or against the cabinet carcass.

If the mirror door or a glass shelf becomes broken, replace immediately. For details on replacement glass and other components our contact customer services department on the number below.

Cleaning:

NEVER use products containing bleach, cleaners of a gritty or abrasive nature or so called “glass and mirror” cleaning products, that can be detrimental to the long lasting finish of the mirror.

ONLY use a clean micro fibre cloth.