

COMPLETION CONCEALED BOX

MOUNTING INSTRUCTIONS

Pressure range min/max 0,5/5 bar

(in case of water pressure higher than 5 bar we recommend installing pressure reducers).

Recommended pressure 3 bar.

Operation:

Either with gas or electric accumulation boilers.

Centralised systems.

Safety lock at: 41° C

Min. Working temperature: 3° C

Min. recommended: 15° C

Max. Working temperature: 70° C

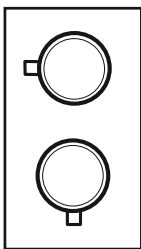
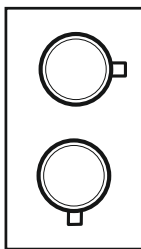
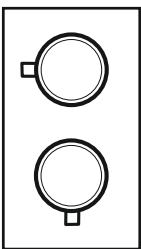
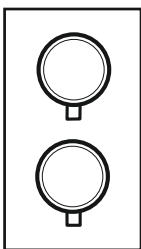
Max. recommended: 65° C

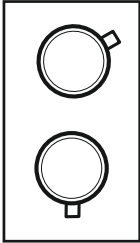
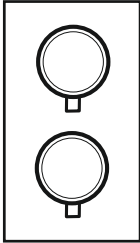
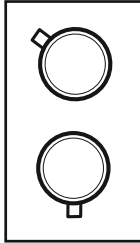
Recommended thermal differential 50° C

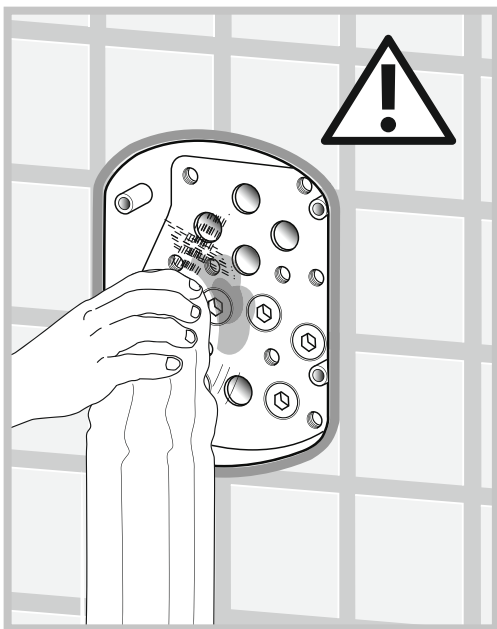
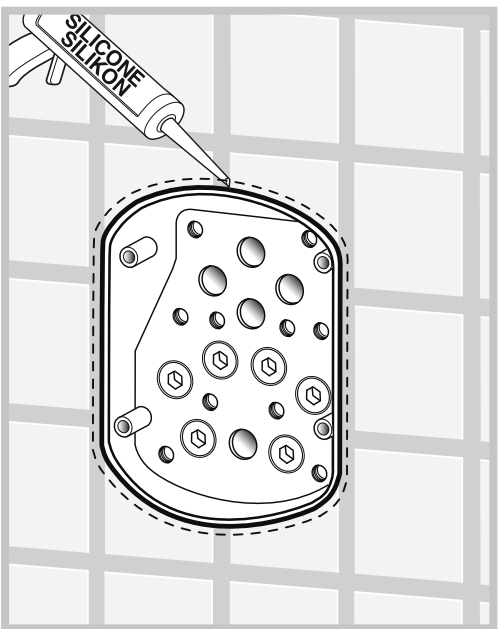
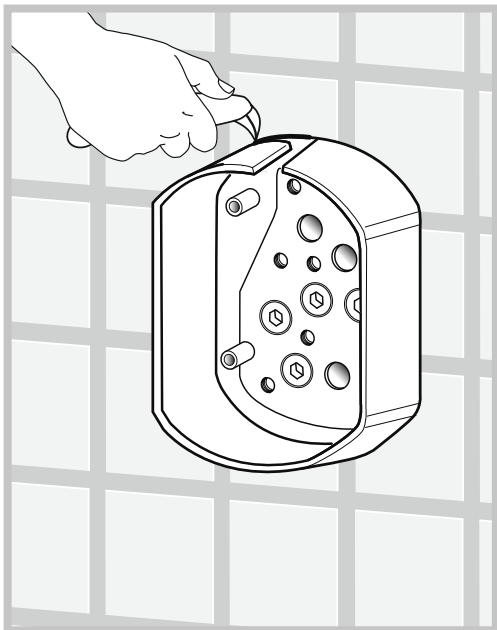
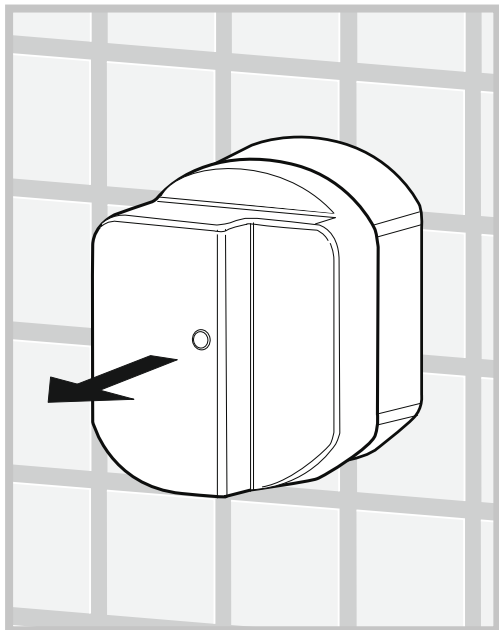
Thermal disinfection is allowed.

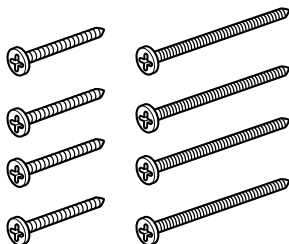
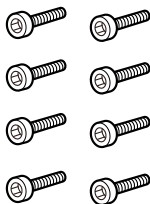
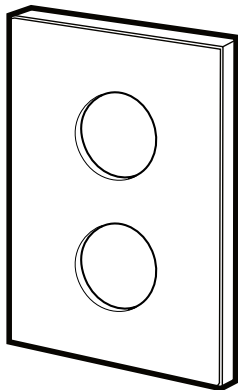
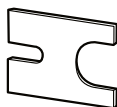
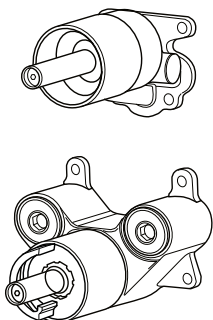
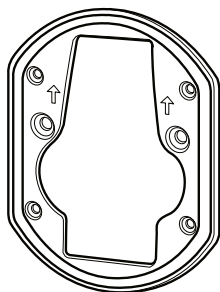
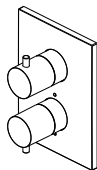
Safety system with flow stop in case of lack of one of the two waters.

Warning: contact the plumber for the choice of the best water heating device.

Press.	FLOW RATE (L/min)			
	Term. 1 way	Term. 2 way		
				
bar	Exit 1/2/3	Exit 2	Exit 3	Mix
0,5	8,2	8,2	8,2	9,2
1	11,7	11,7	11,7	13,2
2	16,7	16,4	16,4	18,7
3	20,7	20	20	22,9
4	24	23	23	26,4
5	26,6	25,8	25,8	29,5

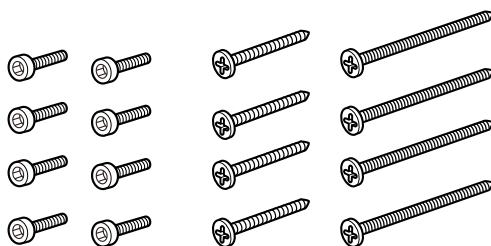
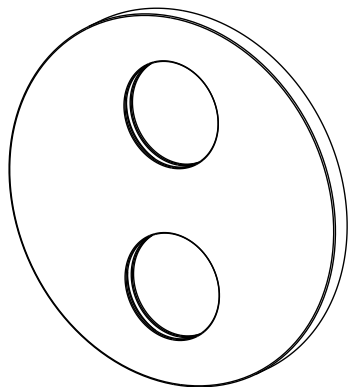
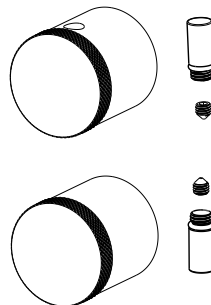
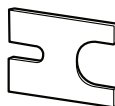
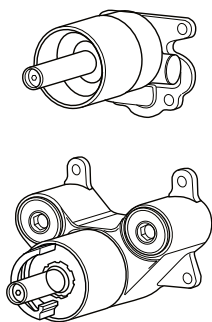
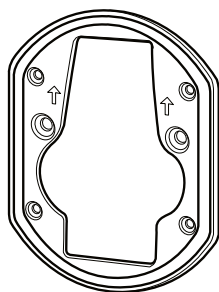
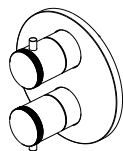
Press.	FLOW RATE (L/min)		
	Term. 3 ways		
			
bar	Exit 1	Exit 2	Exit 3
0,5	9,4	8,1	8,1
1	13,4	11,6	11,6
2	19,2	16,6	16,6
3	23,7	20,5	20,5
4	27,4	23,8	23,8
5	30,5	26,6	26,6





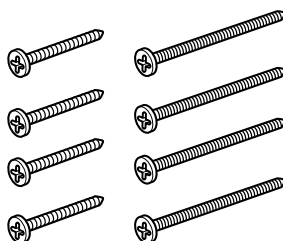
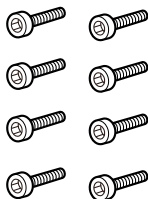
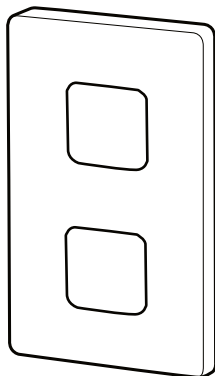
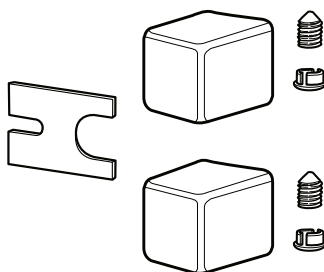
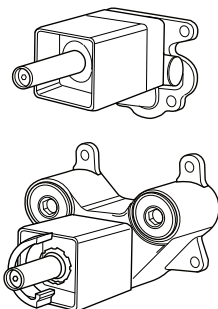
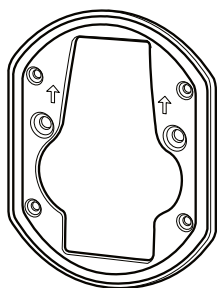
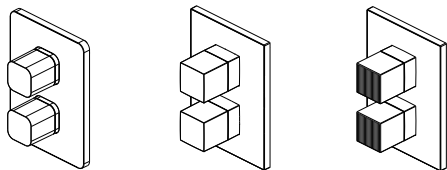
GB Mounting Instructions





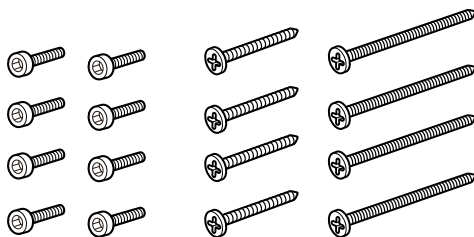
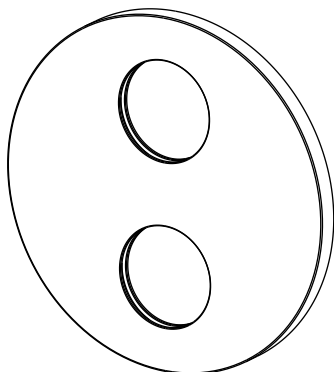
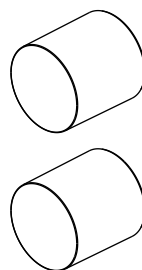
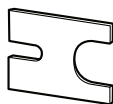
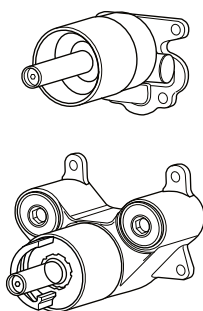
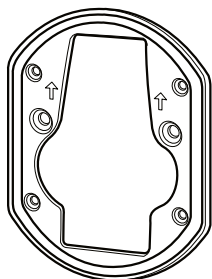
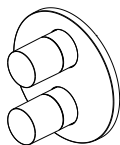
GB Mounting Instructions





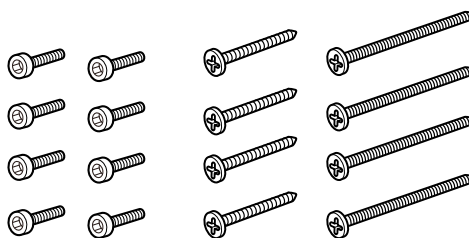
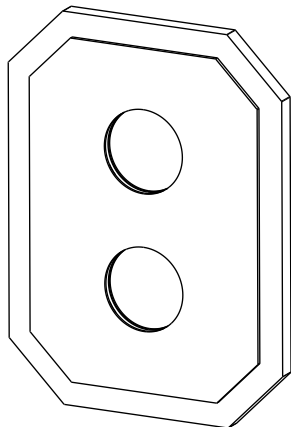
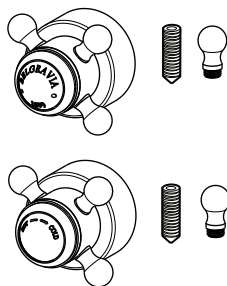
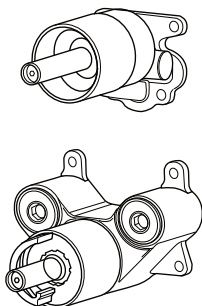
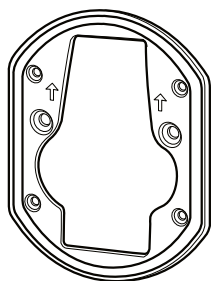
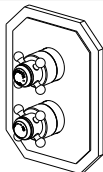
GB Mounting Instructions





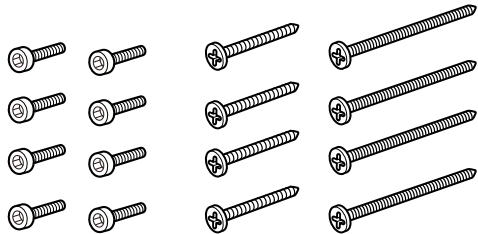
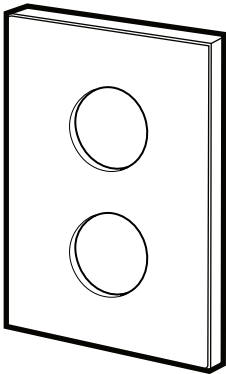
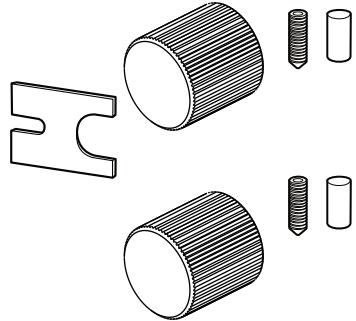
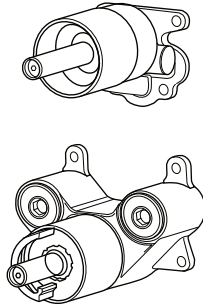
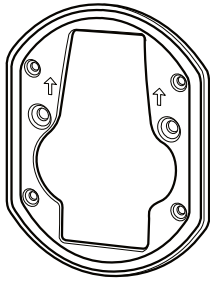
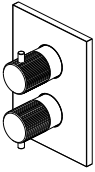
GB Mounting Instructions





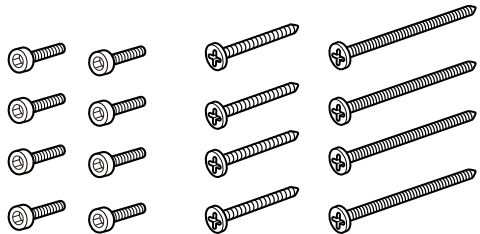
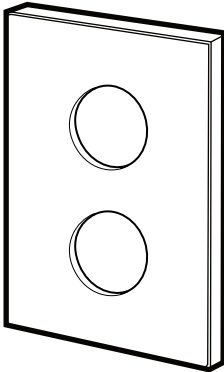
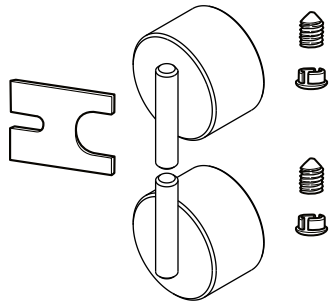
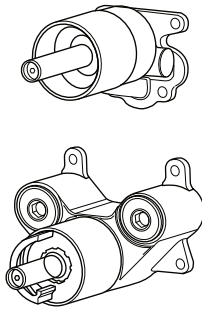
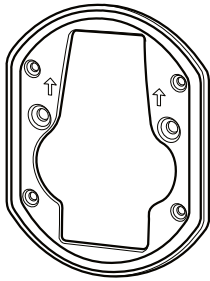
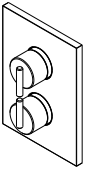
GB Mounting Instructions





GB Mounting Instructions



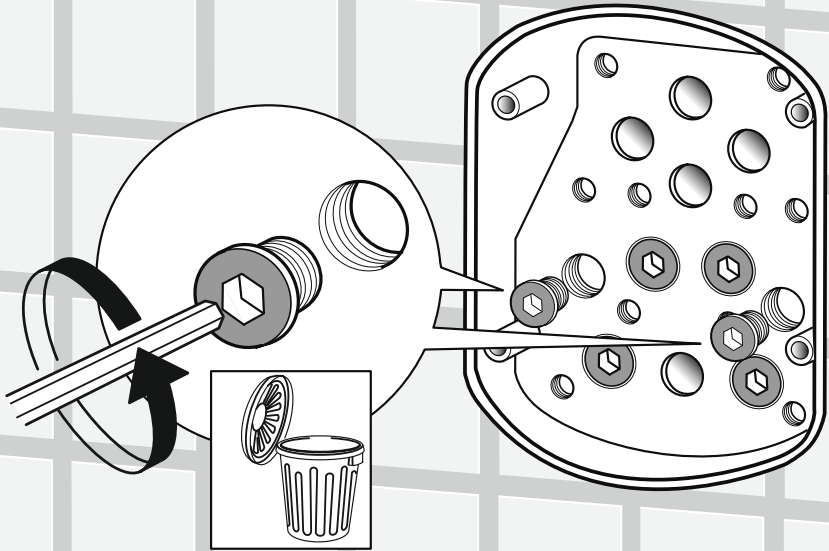


GB Mounting Instructions

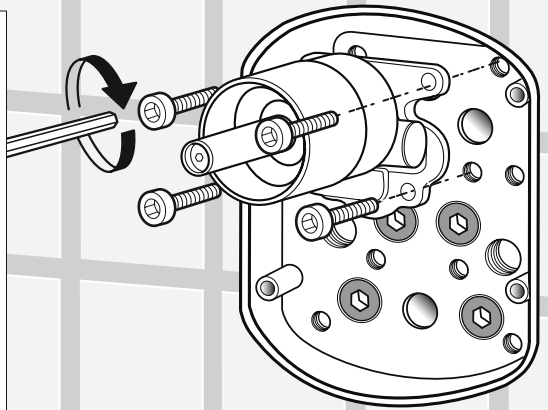




1

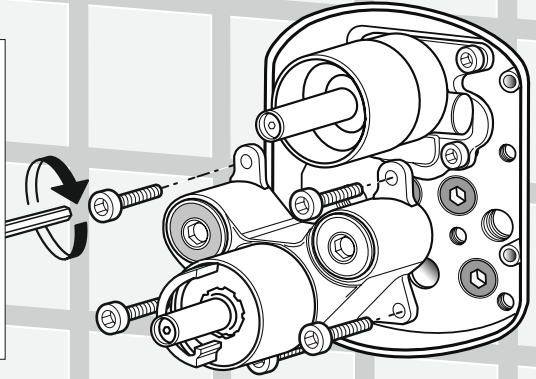
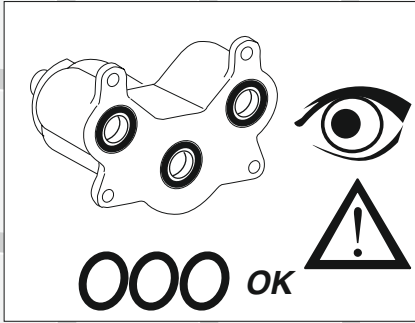


2

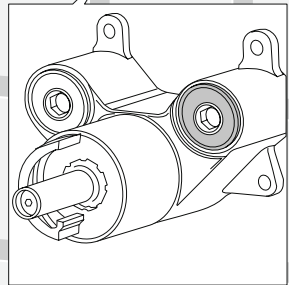
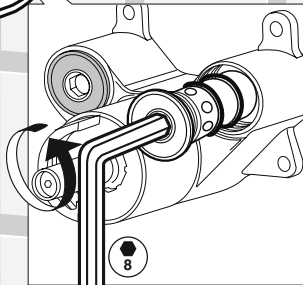
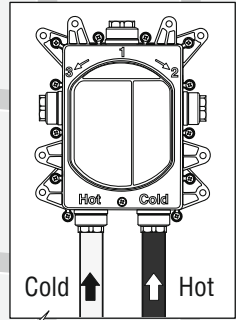
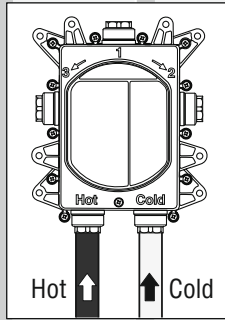
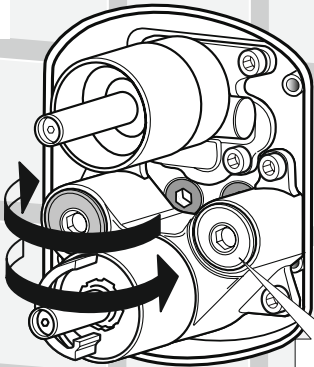




3

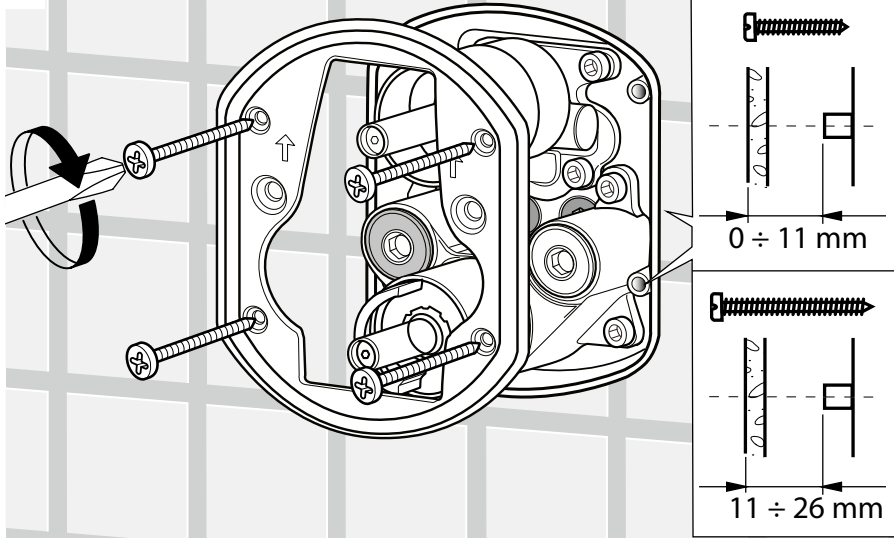


4

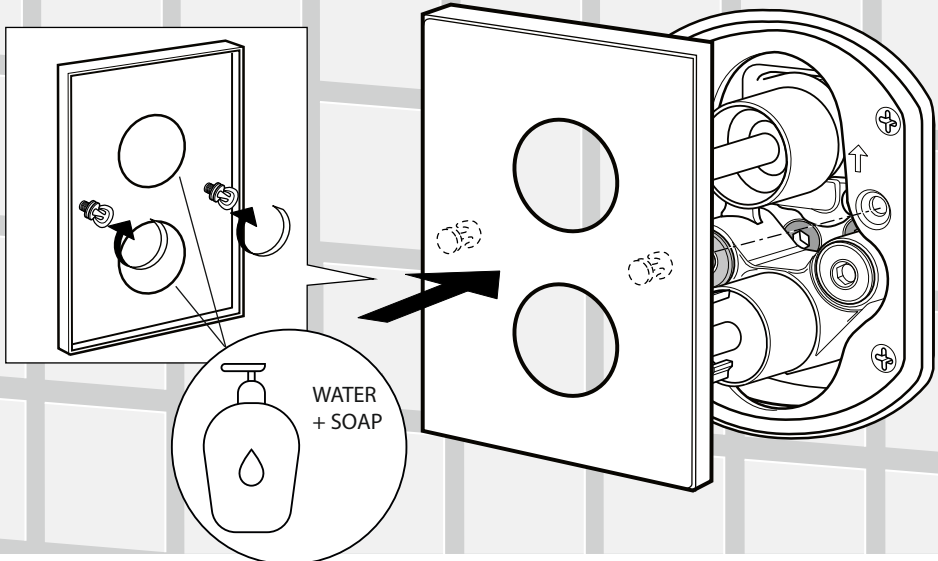




5

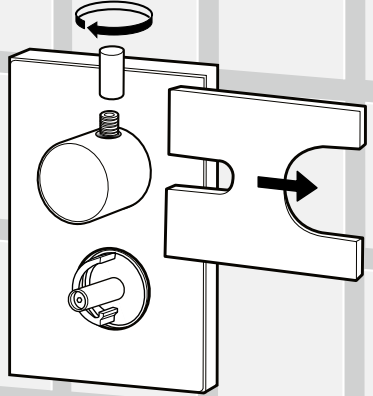
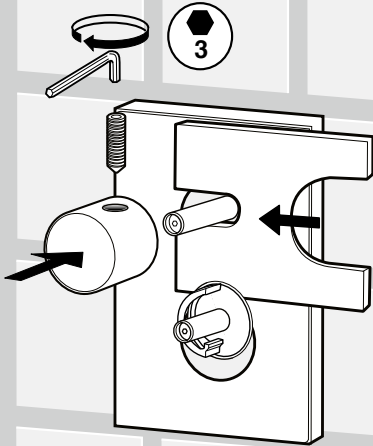


6A

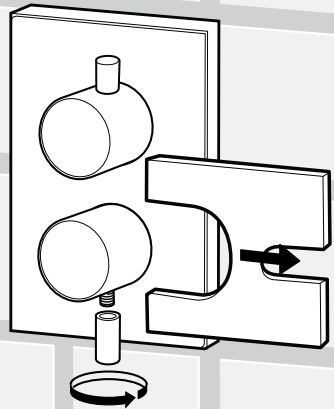
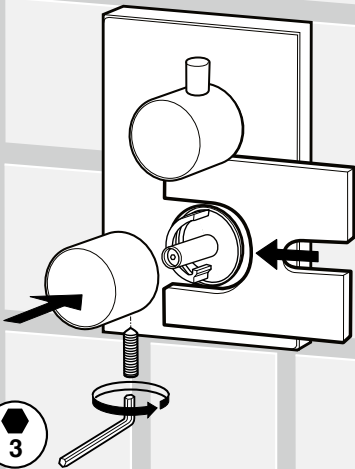




7A

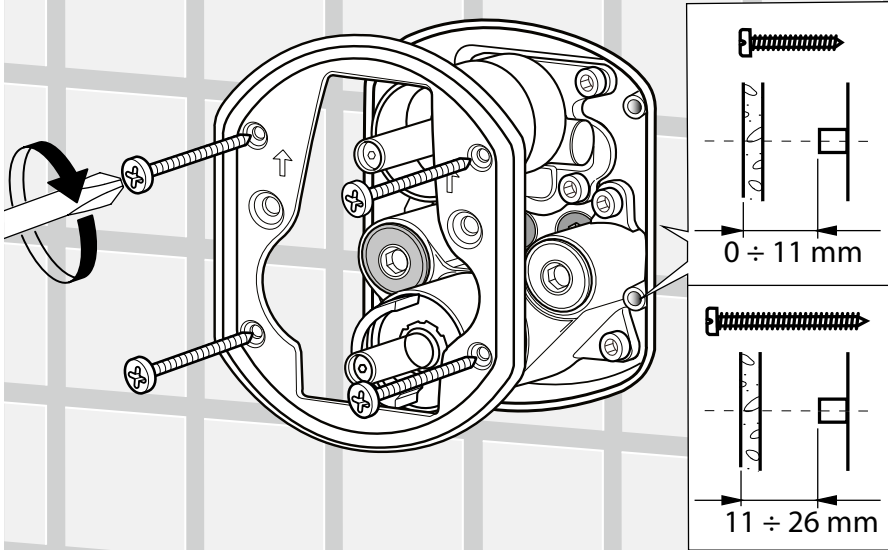


8A

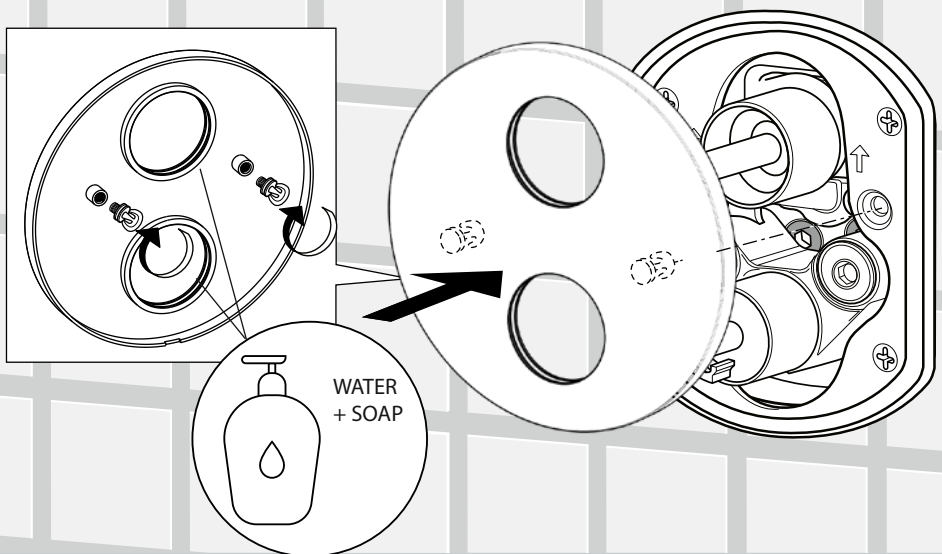




5

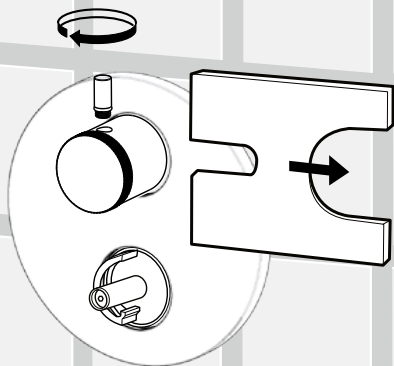
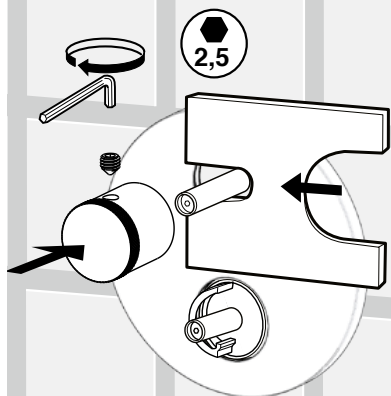


6B

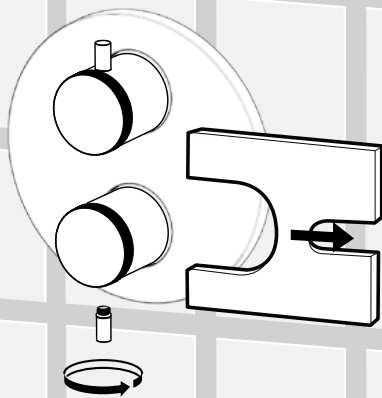
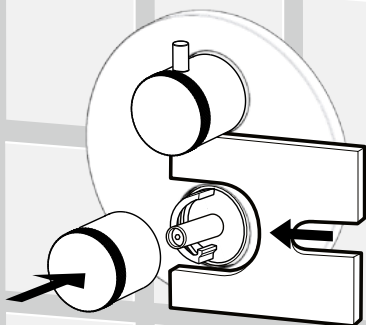




7B



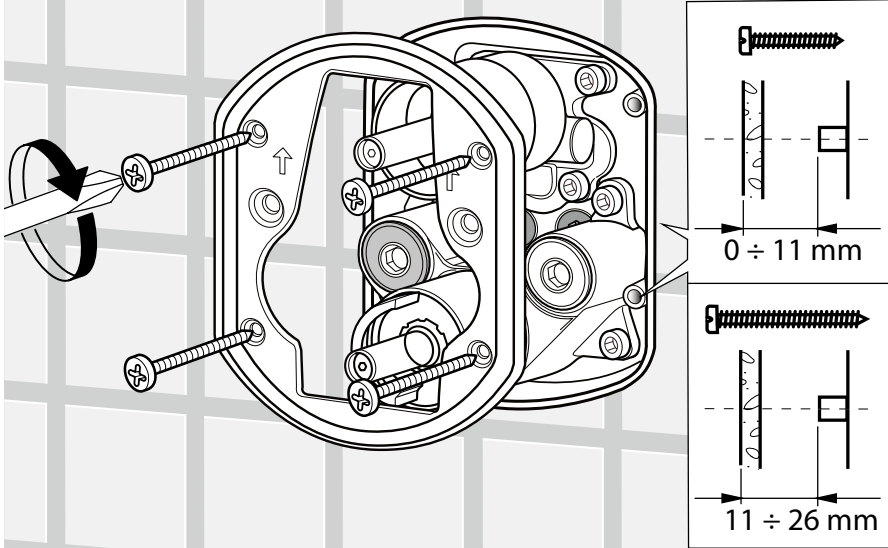
8B



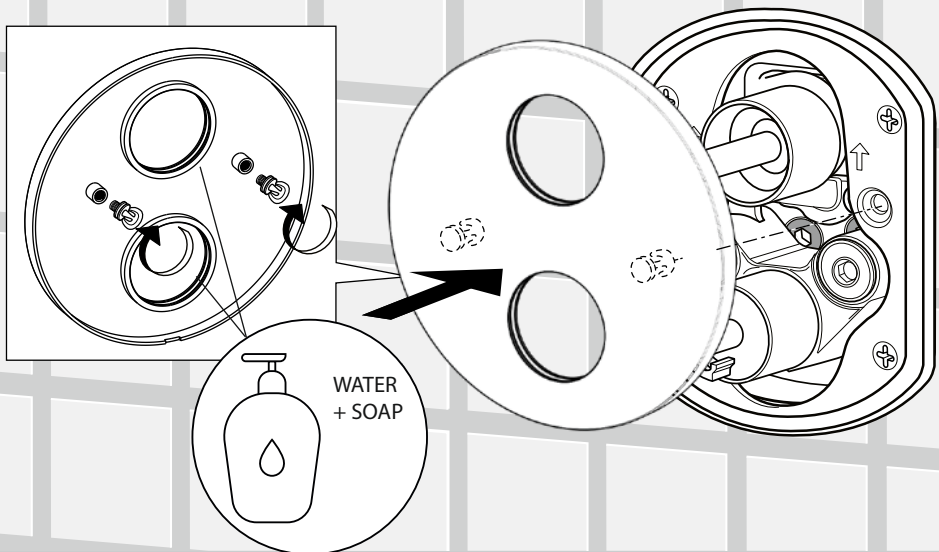
2,5



5

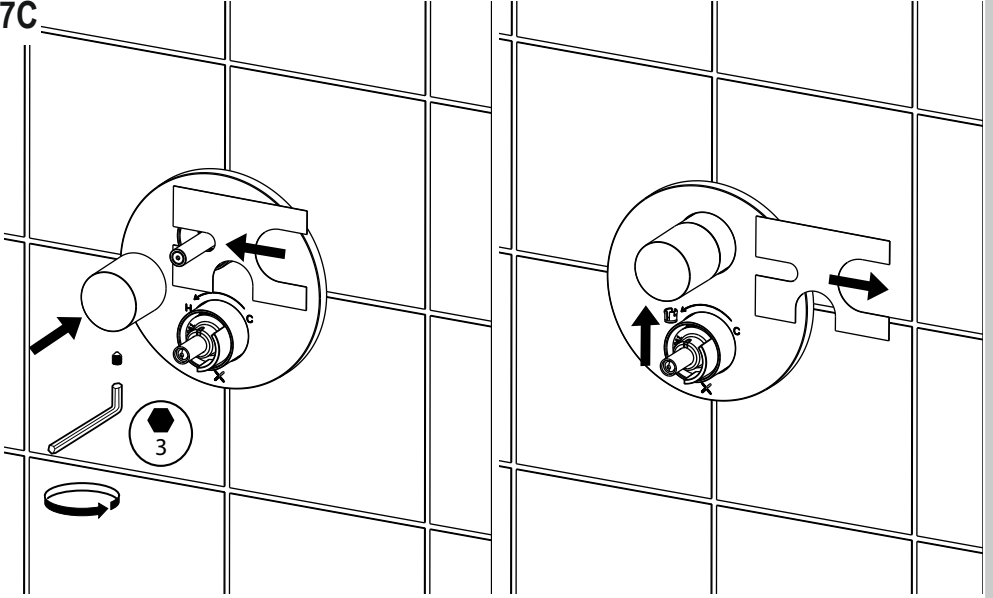


6C

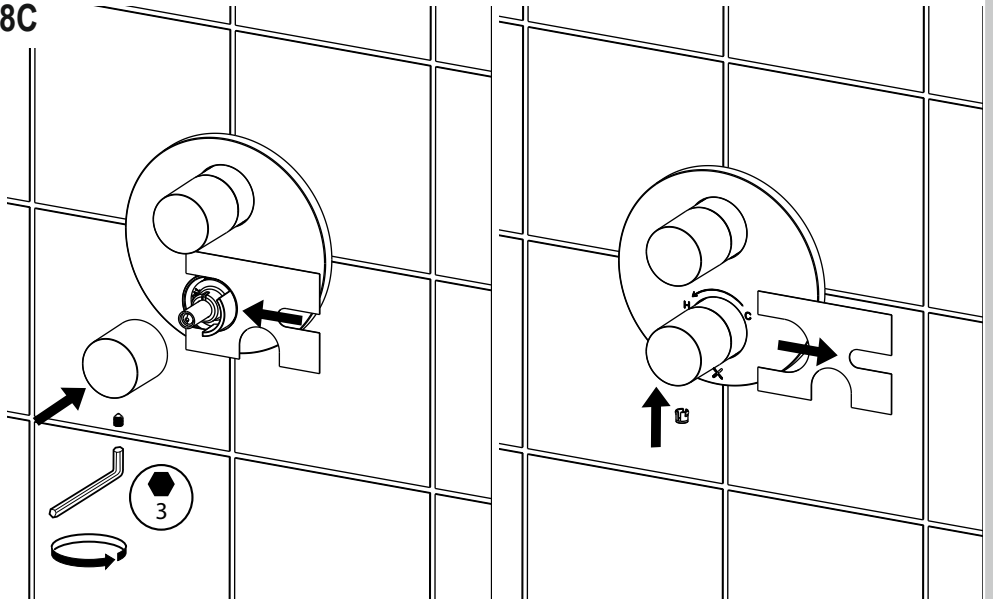




7C

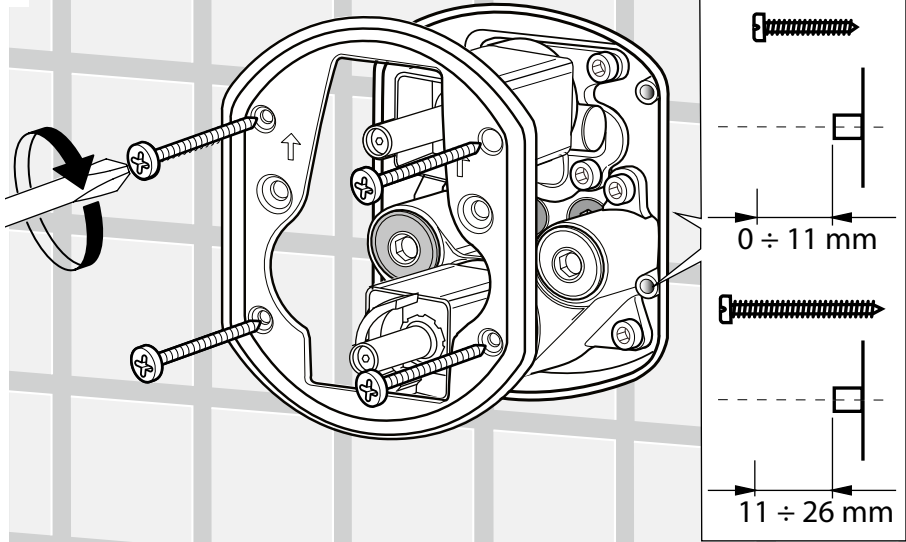


8C

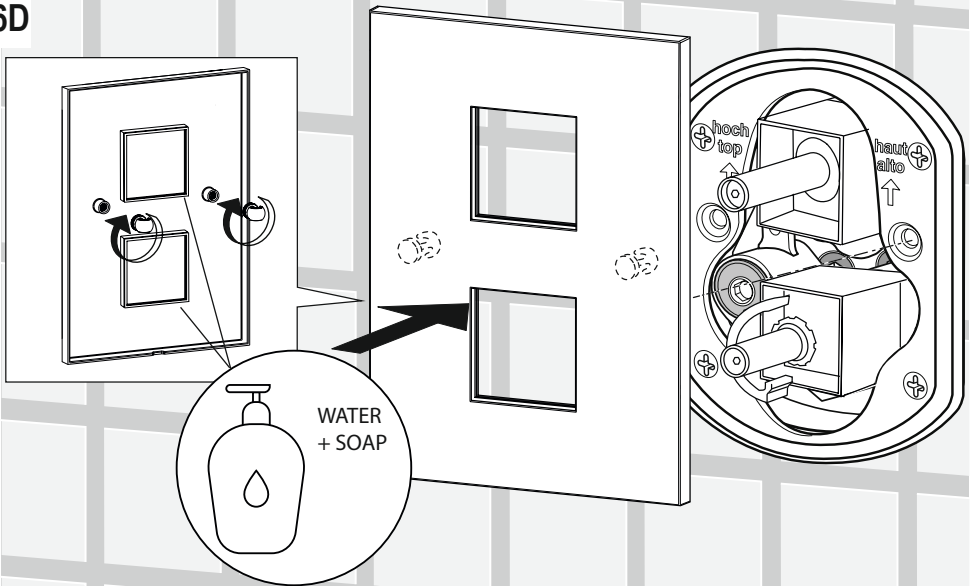




5

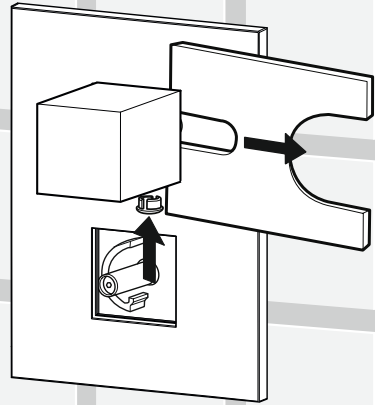
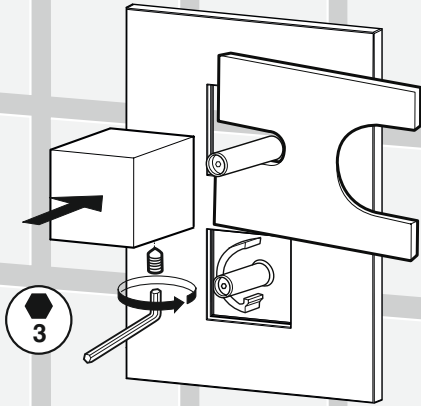


6D

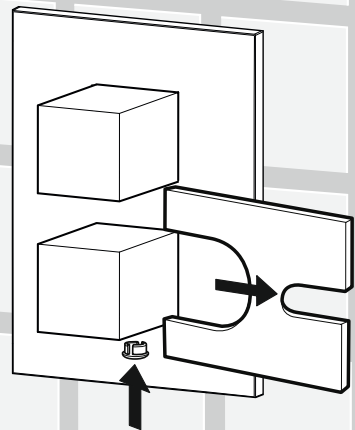
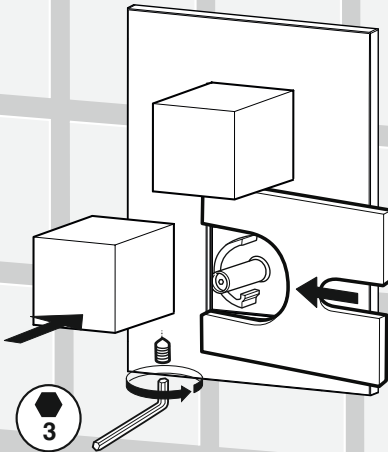




7D

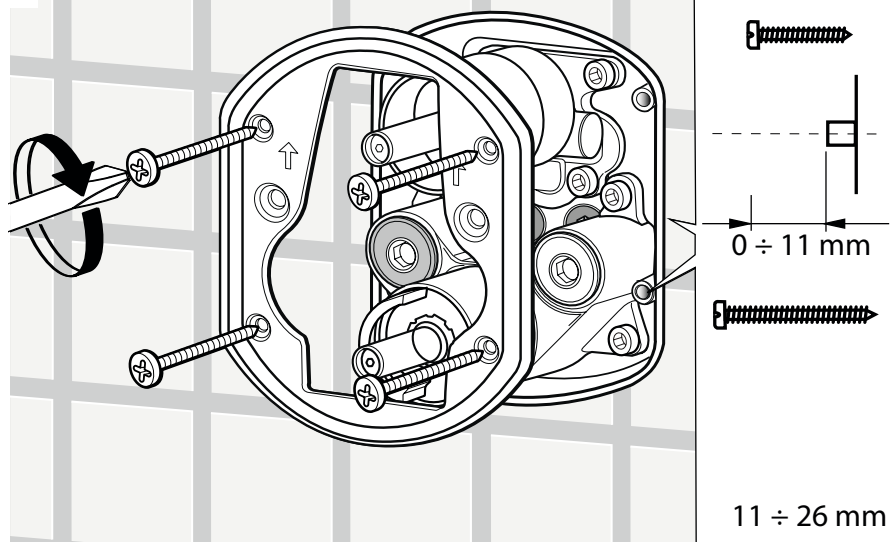


8D

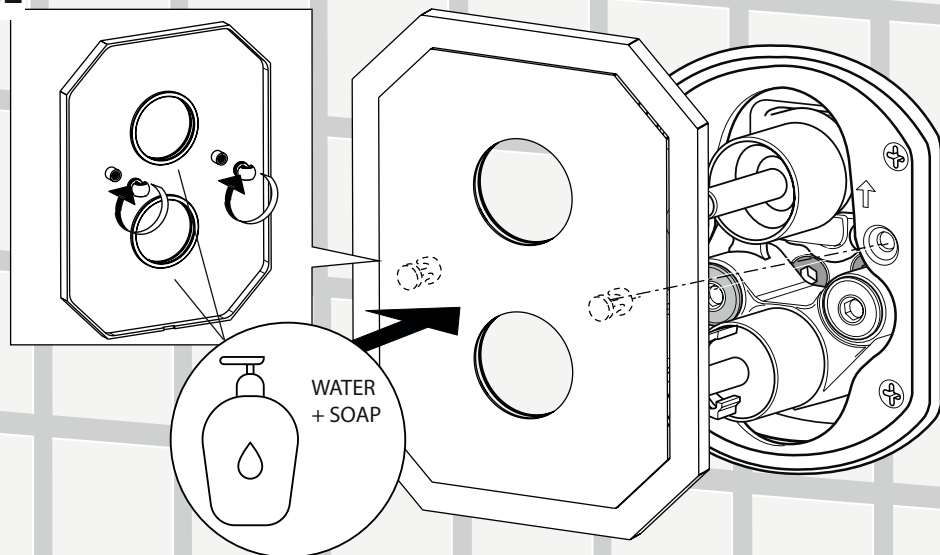




5

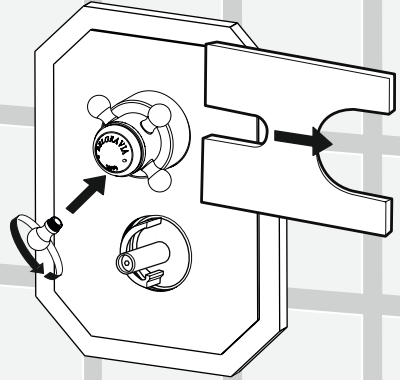
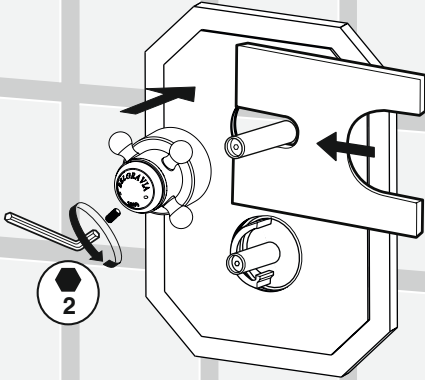


6E

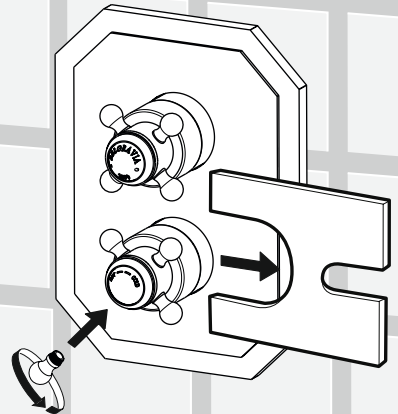
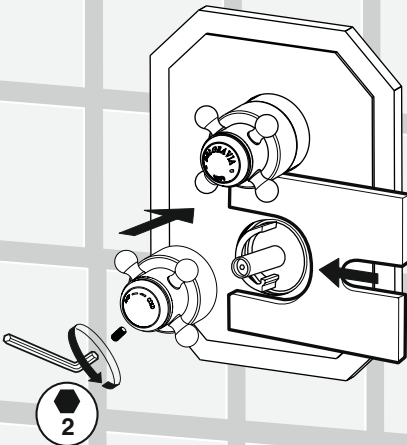




7E

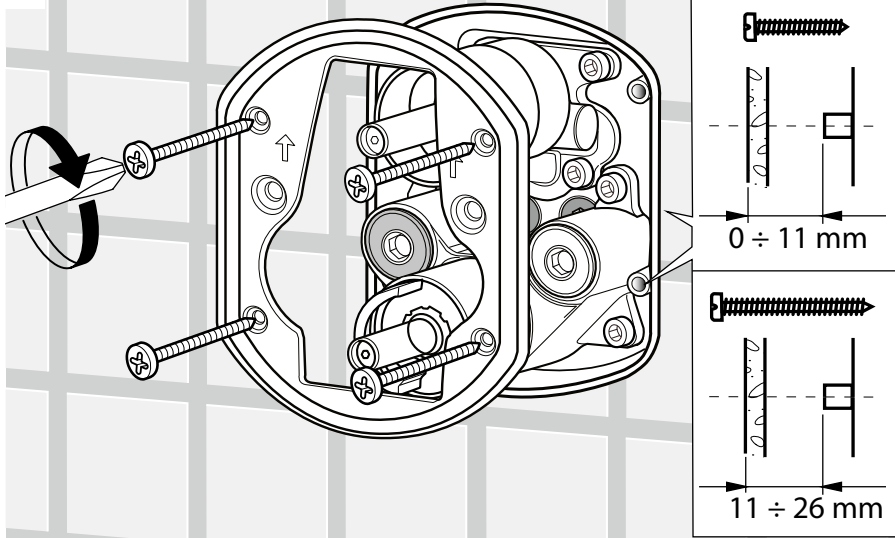


8E

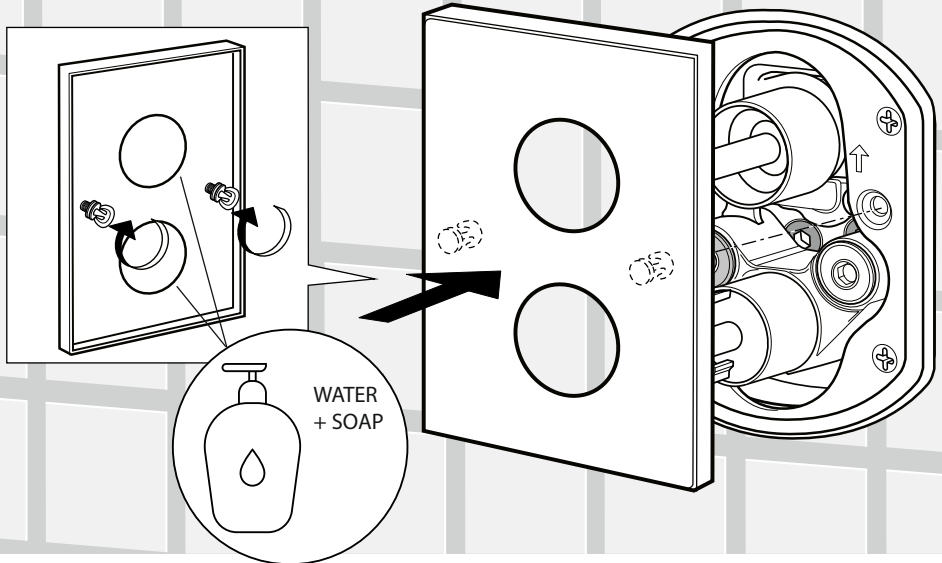




5

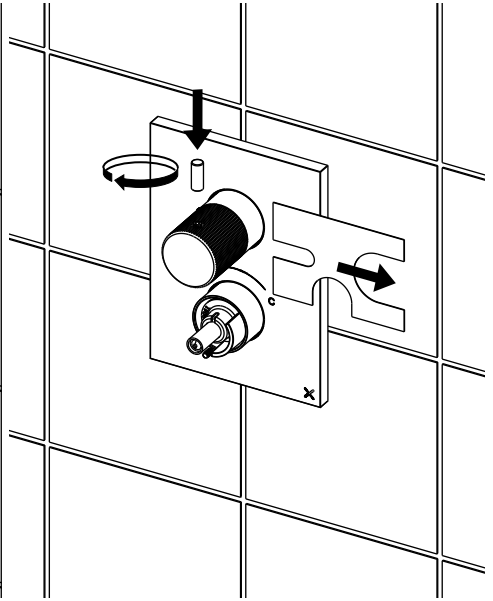
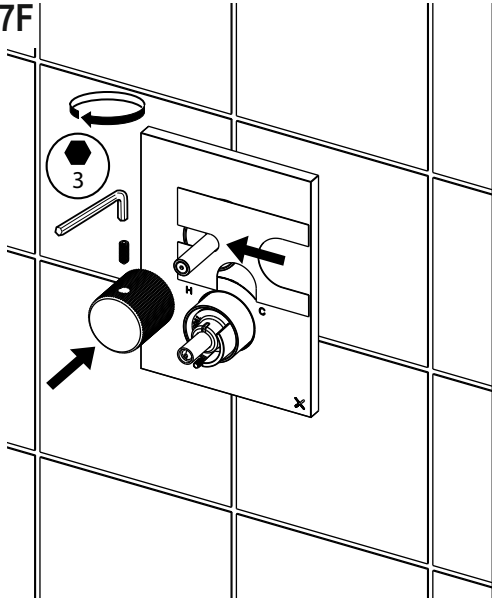


6F

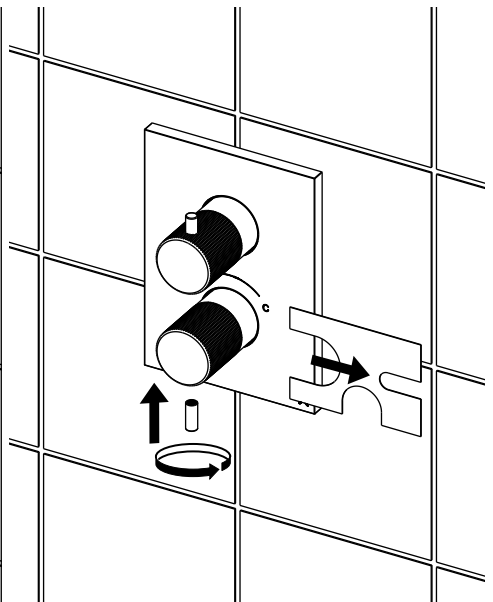
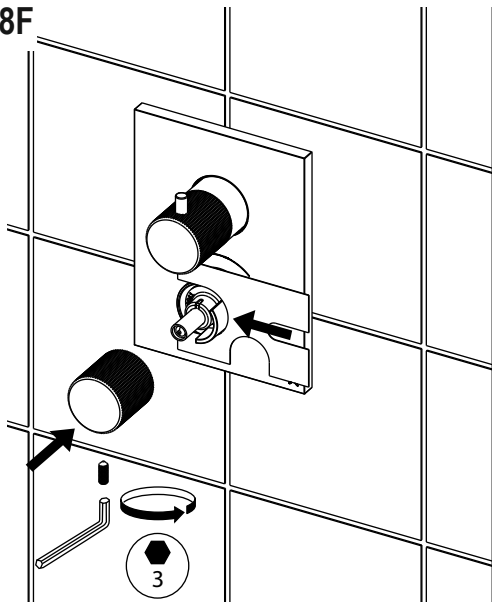




7F

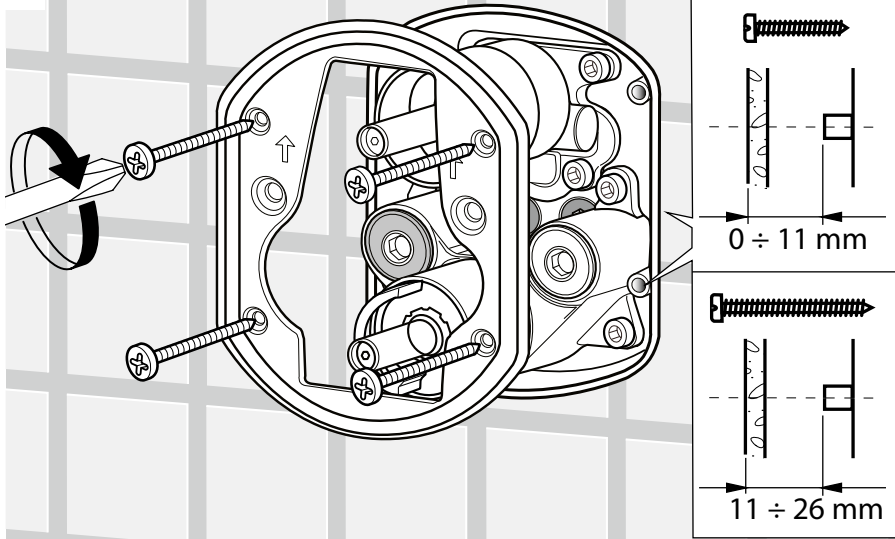


8F

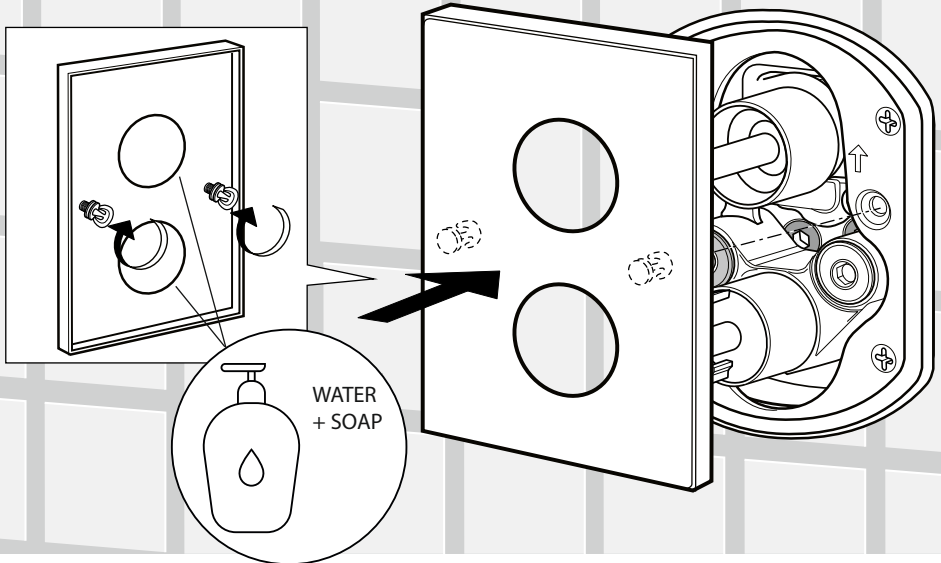




5

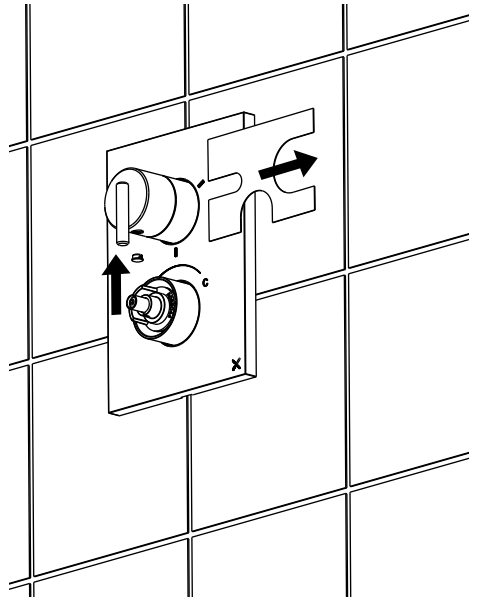
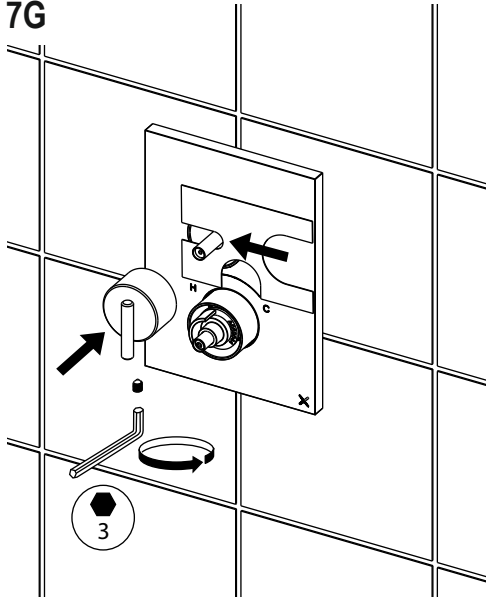


6G

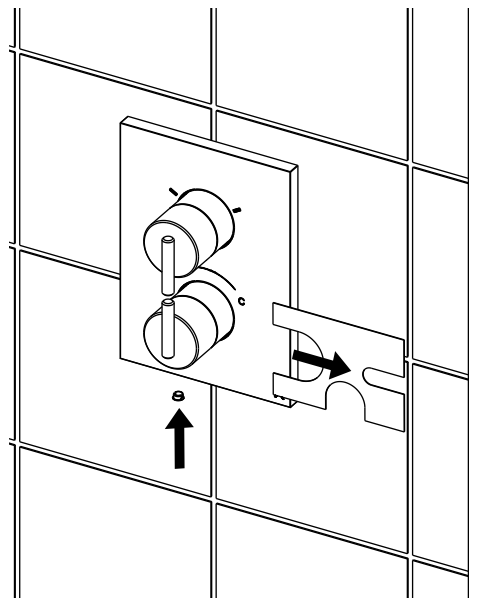
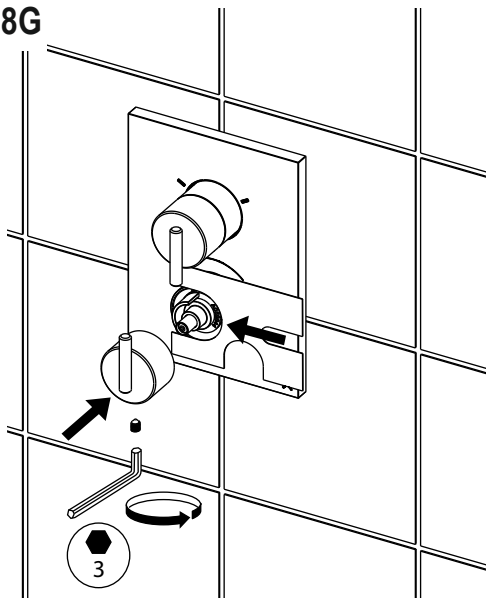


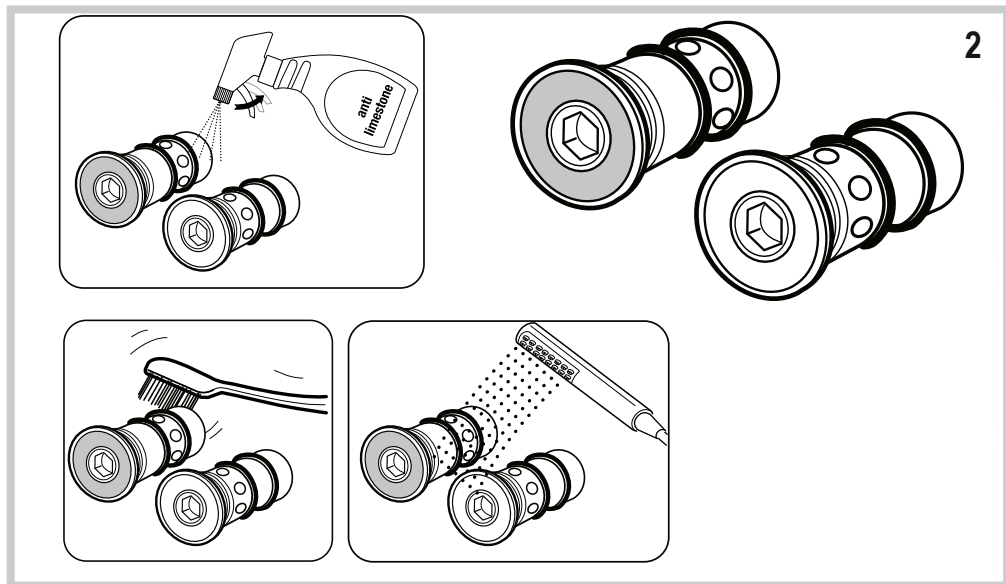
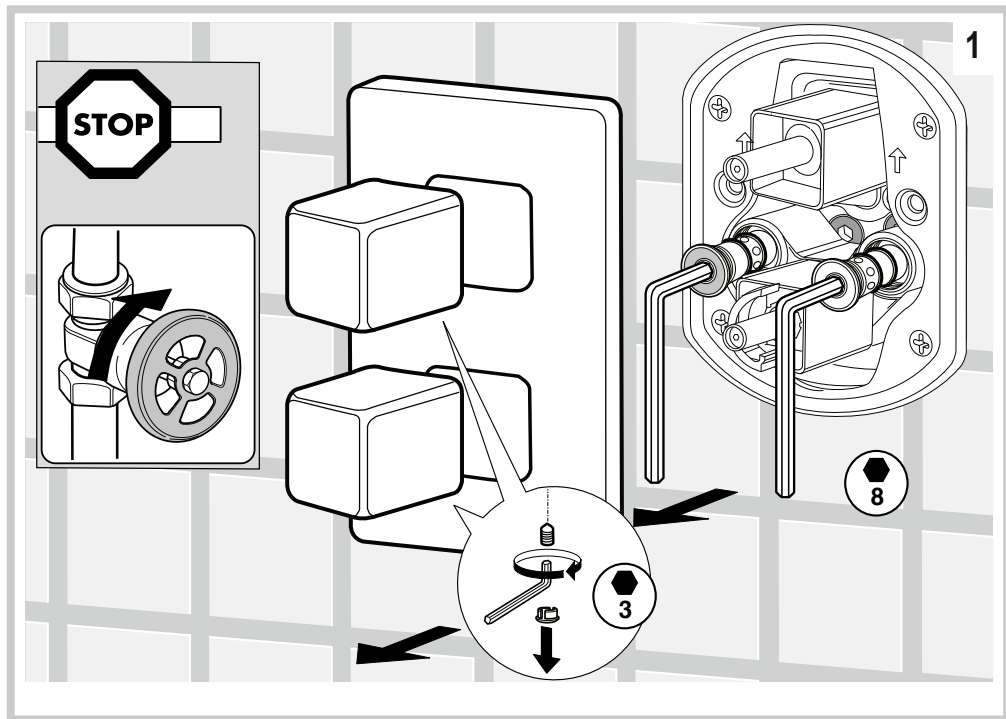
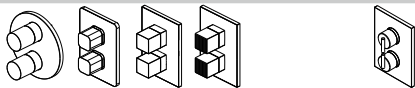


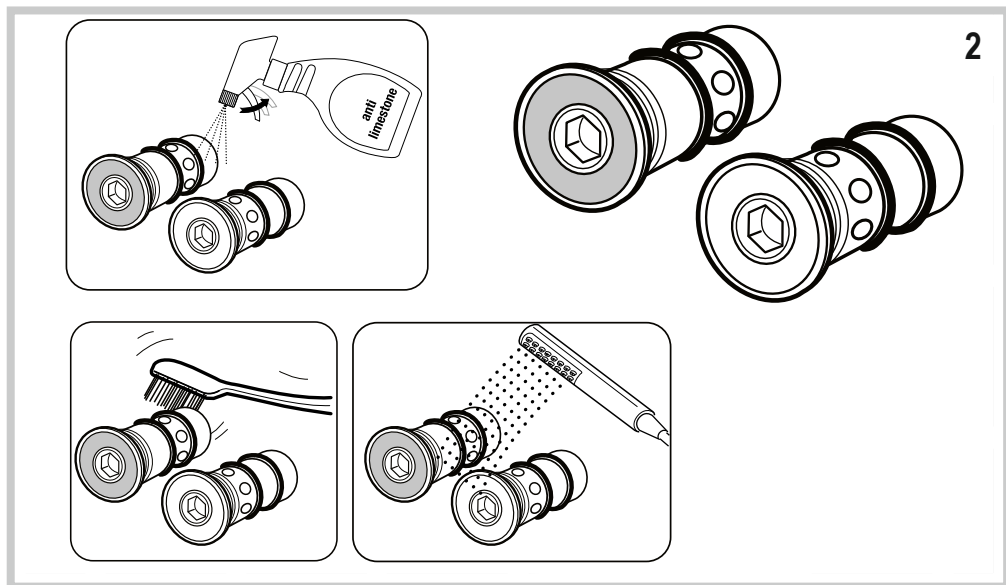
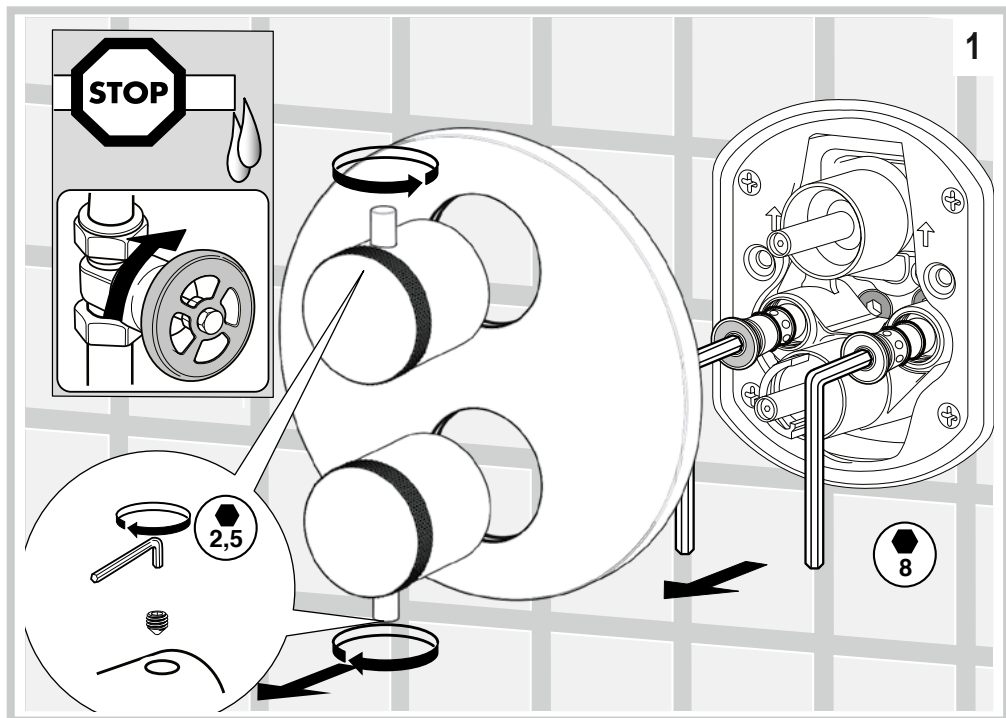
7G

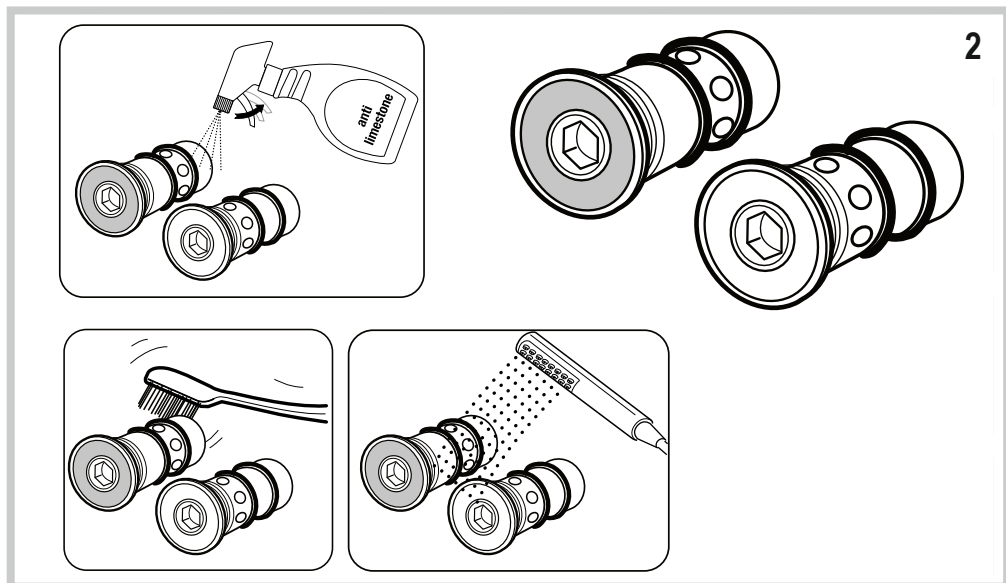
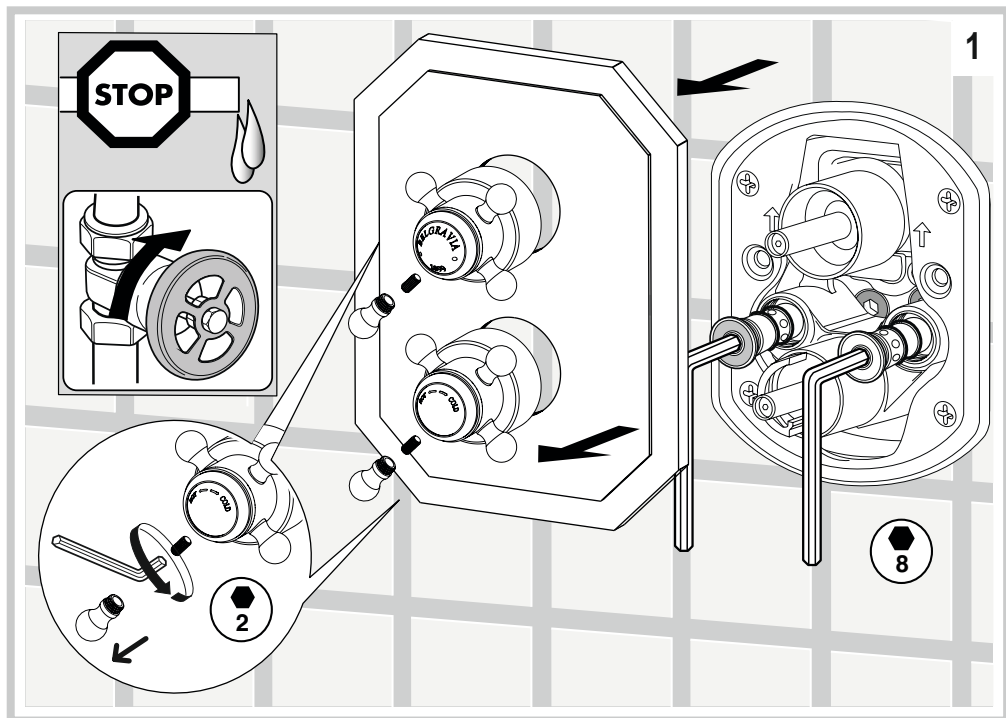


8G



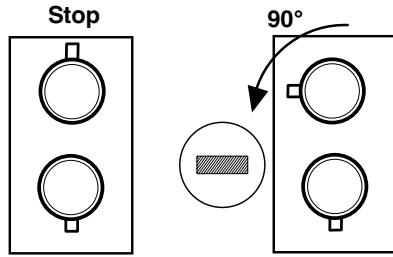




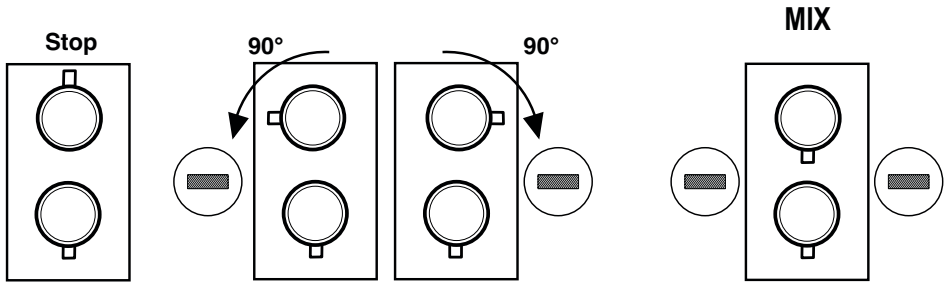




THERMOSTATIC 1 WAY



THERMOSTATIC 2 WAYS



THERMOSTATIC 3 WAYS

