

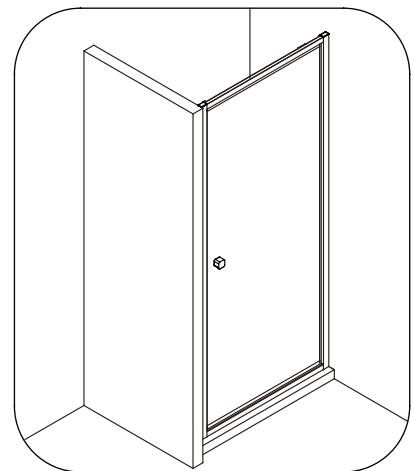
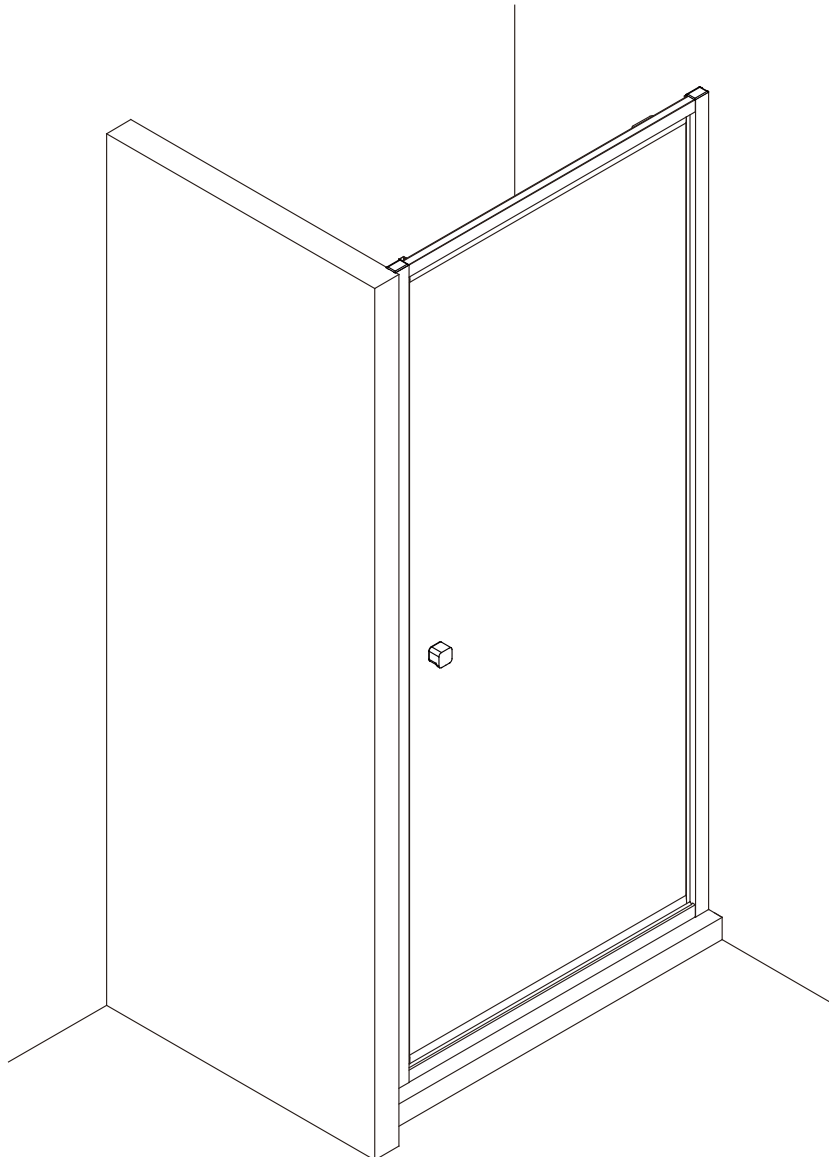
CLEAR 6 PIVOT DOOR

CAPDSC0760	CASPSC0700
CAPDSC0800	CASPSC0760
CAPDSC0900	CASPSC0800
CAPDSC1000	CASPSC0900
CAPDBC0800	CASPSC1000
CAPDBC0900	CASPBC0760
CAPDFC0800	CASPBC0800
CAPDFC0900	CASPBC0900
	CASPBC1000
	CASFBC0760
	CASFBC0800
	CASFBC0900
	CASFBC1000

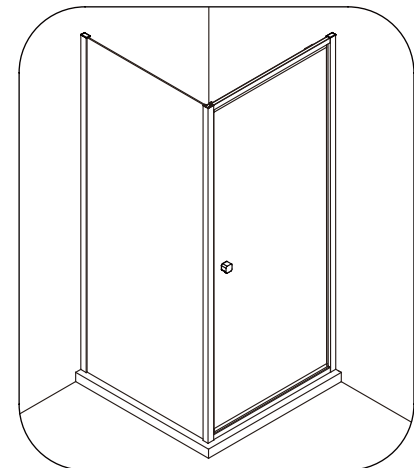
IMPORTANT

BEFORE STARTING THE INSTALLATION ENSURE ALL THE DOOR SIZE MEASUREMENTS CORRESPOND WITH THE INSTALLATION AREA INCLUDING THE FINISHED TILED/PANELLED WALLS. RETURNS DUE TO INCORRECT SIZING WILL NOT BE ACCEPTED.

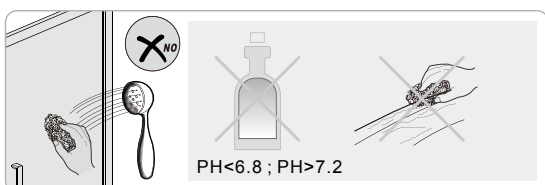
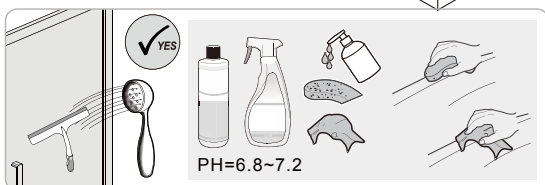
Manufactured to: BS EN 14428



PIVOT DOOR IN ALCOVE



PIVOT DOOR & SIDE PANEL



INSTALLATION INSTRUCTIONS

crosswater[®]

IMPORTANT - Please read before installation

Please read these instructions carefully before starting installation and keep in a safe place for future reference.

Check the contents of the pack carefully before installation. Crosswater will not be held responsible for any de-fit / re-fit costs where faulty product has been fitted.

If any fault is found with materials or workmanship, it must be reported immediately to the manufacturer. Remedial action will be taken, based on information received, on condition that:

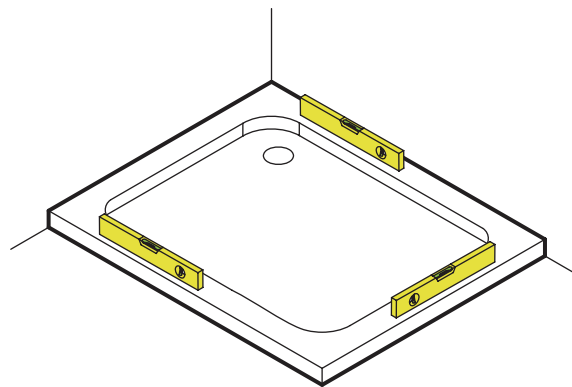
1. Full details are supplied to the manufacturer;
2. The enclosure has not been modified or tampered with;
3. The manufacturer is informed of any damage/shortages prior to installation.

We do not accept responsibility for any problems that may occur through incorrect installation.

The success of the installation and operation of any shower enclosure is, of course, dependant on the squareness, alignment and construction of the walls to which fixing is to be carried out.

VERY IMPORTANT

You must complete all tiling and grouting, and the shower tray **MUST** be level and fully sealed to the tiles before installation. If you do not fit the enclosure onto a tiled surface, or seal the tiles to the tray before installation, water may soak into the wall behind the wall profiles.



INSTALLATION - Advice and safety

These products come with the two wall channels pushed onto each side of the glass panel frame. The side panels do **NOT** come with wall channels, you must use one of the channels from the door.

The installation instructions are based on typical use and conditions.

The infold door is designed to open outwards only.

Please follow the installation instructions relevant to your enclosure.

These hints have been prepared for your guidance, you must exercise due care at all times.

For Health and Safety 2 people must carry out the installation of this enclosure.

Handle glass with care. Although the glass supplied is toughened safety glass (EN12150), impacts can damage both

Warning!

Please check for any hidden pipes or cables before drilling holes in the wall.

To stop the drill bit slipping, masking tape can be applied to the tiles when preparing the holes.

When using power tools always follow the manufacturers user instructions.

Do not sit the enclosure on a bed of silicone, as this will also stop any water from draining back into the tray.

DO NOT SEAL THE ENCLOSURE TO THE TRAY ON THE INSIDE.

If the enclosure is sealed to the tray on the inside, any water that may get into the framework will not be able to drain back into the tray, this may cause the enclosure to leak.

Leave the silicone sealant to dry for 24 hours before using the enclosure.

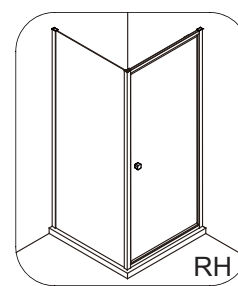
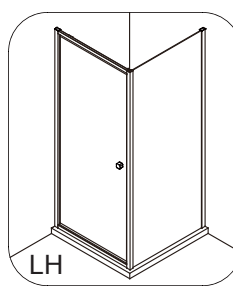
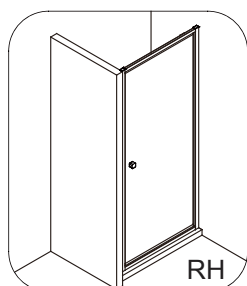
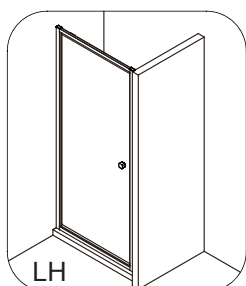
CARE AND CLEANING

Do not use solvents or abrasive material or chemicals to clean the enclosure.

Only clean using soapy water and a soft cloth, rinse thoroughly afterwards.

INSTALLATION - left & right

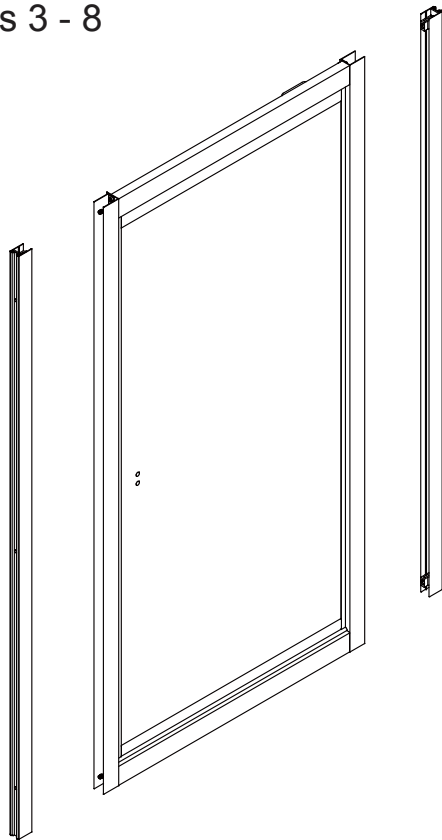
These products are reversible for left or right hand fitting, simply turn the door or panel up side down.



CONTENTS

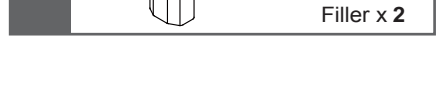
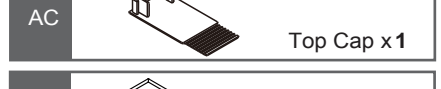
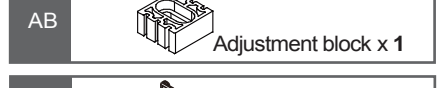
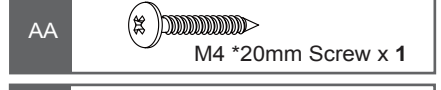
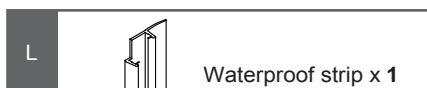
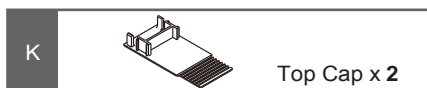
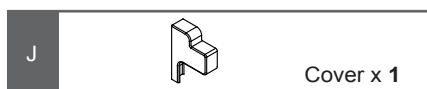
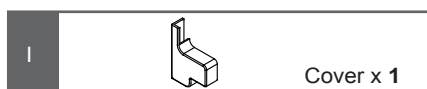
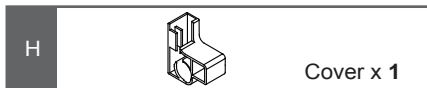
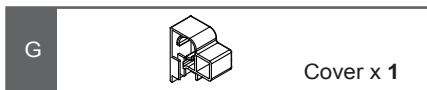
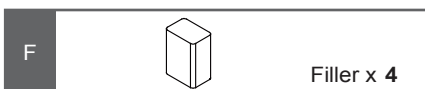
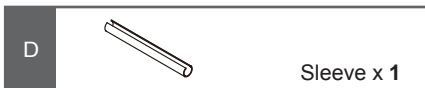
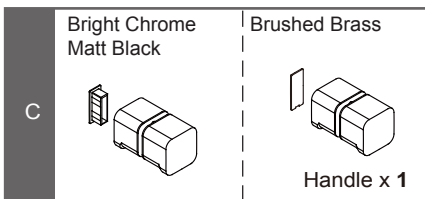
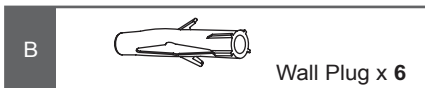
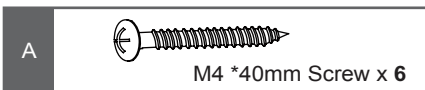
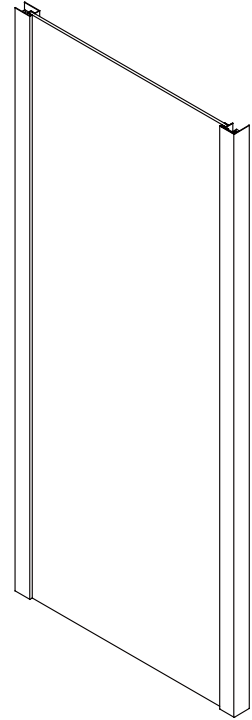
PIVOT DOOR IN ALCOVE

See pages 3 - 8



PIVOT DOOR & SIDE PANEL

See pages 9 - 14

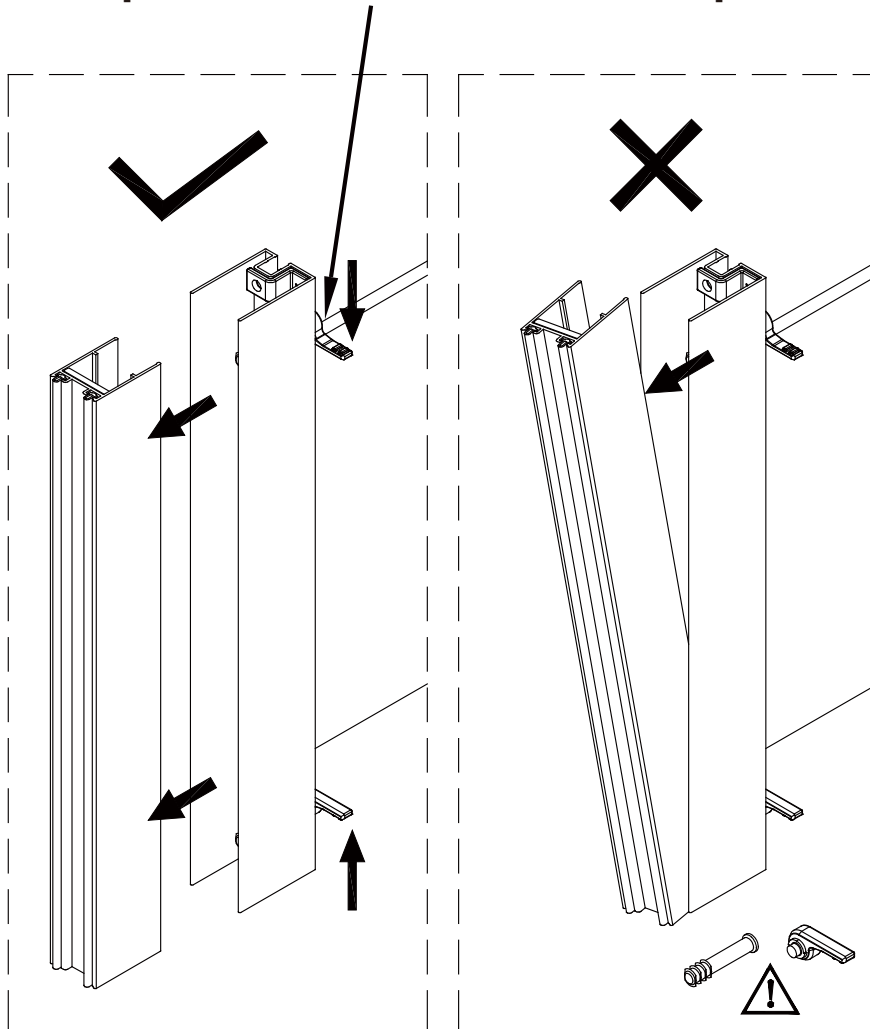


Tools and equipment needed

Drill, 6mm Masonry drill bit, Philips screwdriver, Spirit level, Pencil, Tape measure, Silicone sealant.



Before removing the wall profile for installation please ensure the locking pin lever is in a horizontal position.

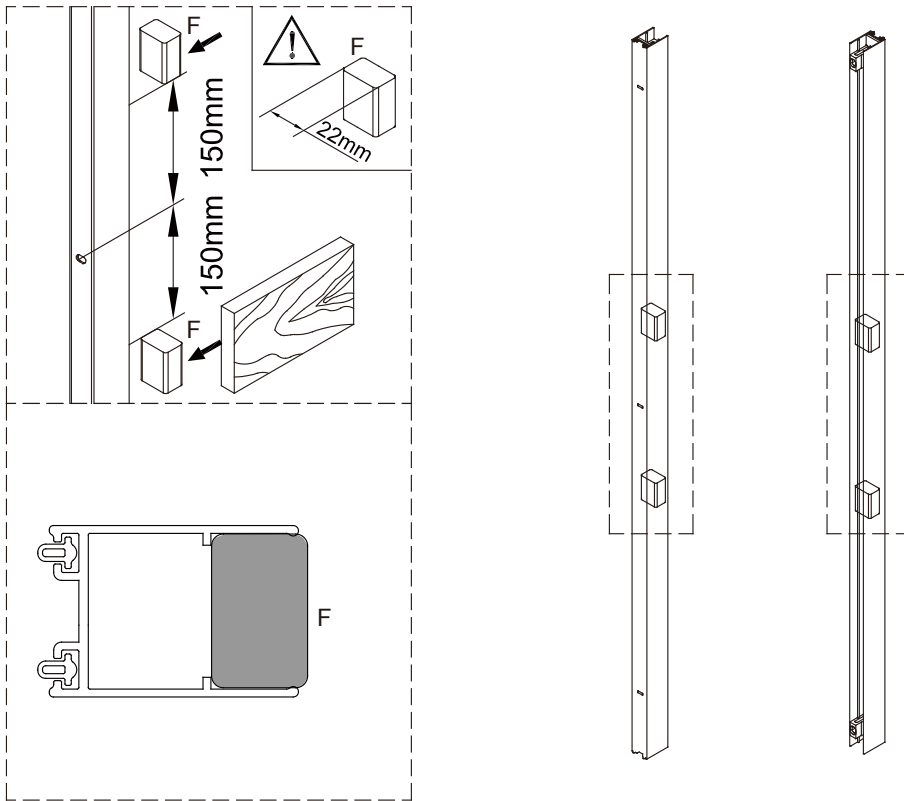


CAUTION

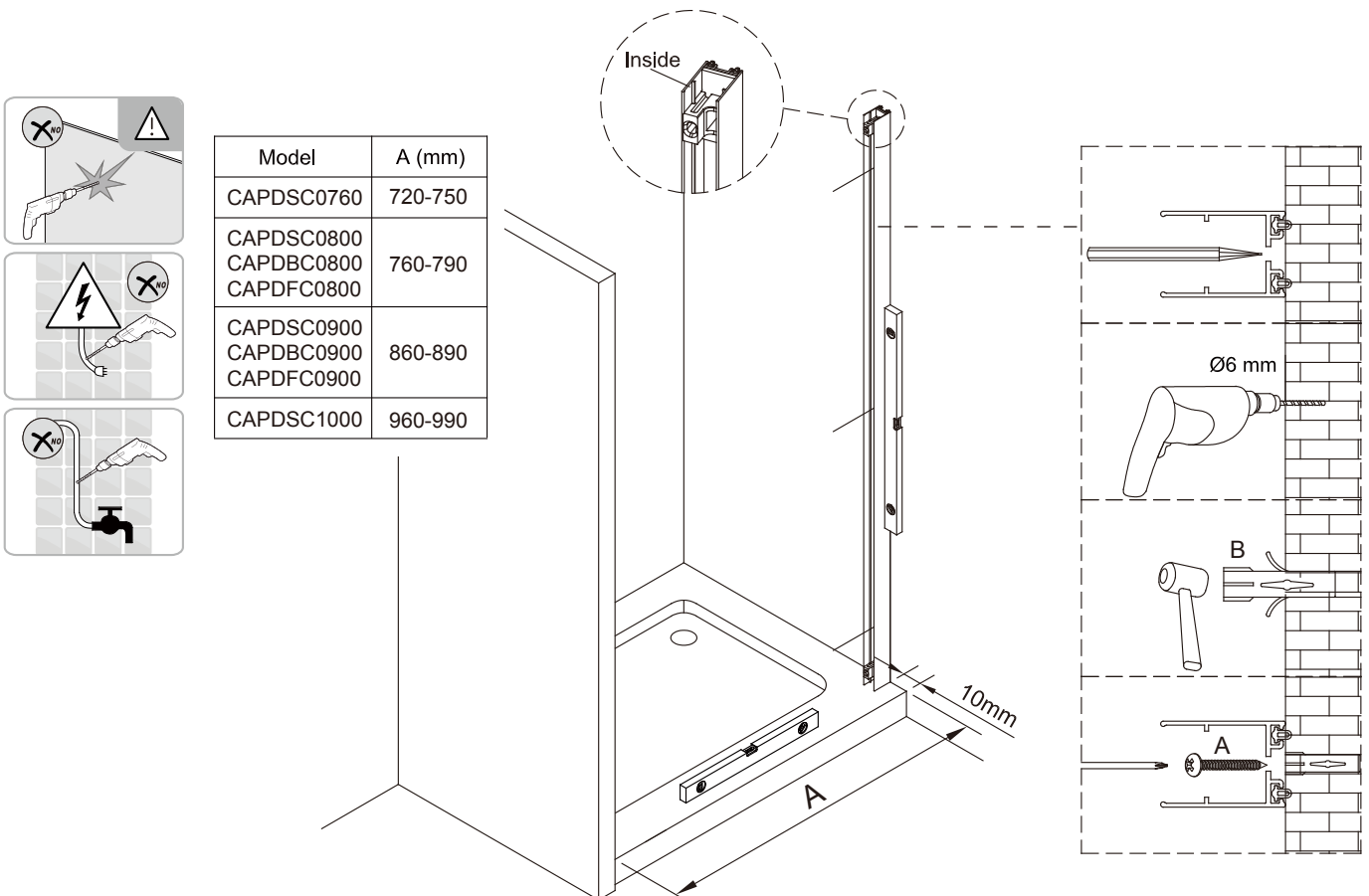
THE WALL PROFILE MUST BE REMOVED PARALLEL FROM BOTH ENDS AT THE SAME TIME

PIVOT DOOR IN ALCOVE

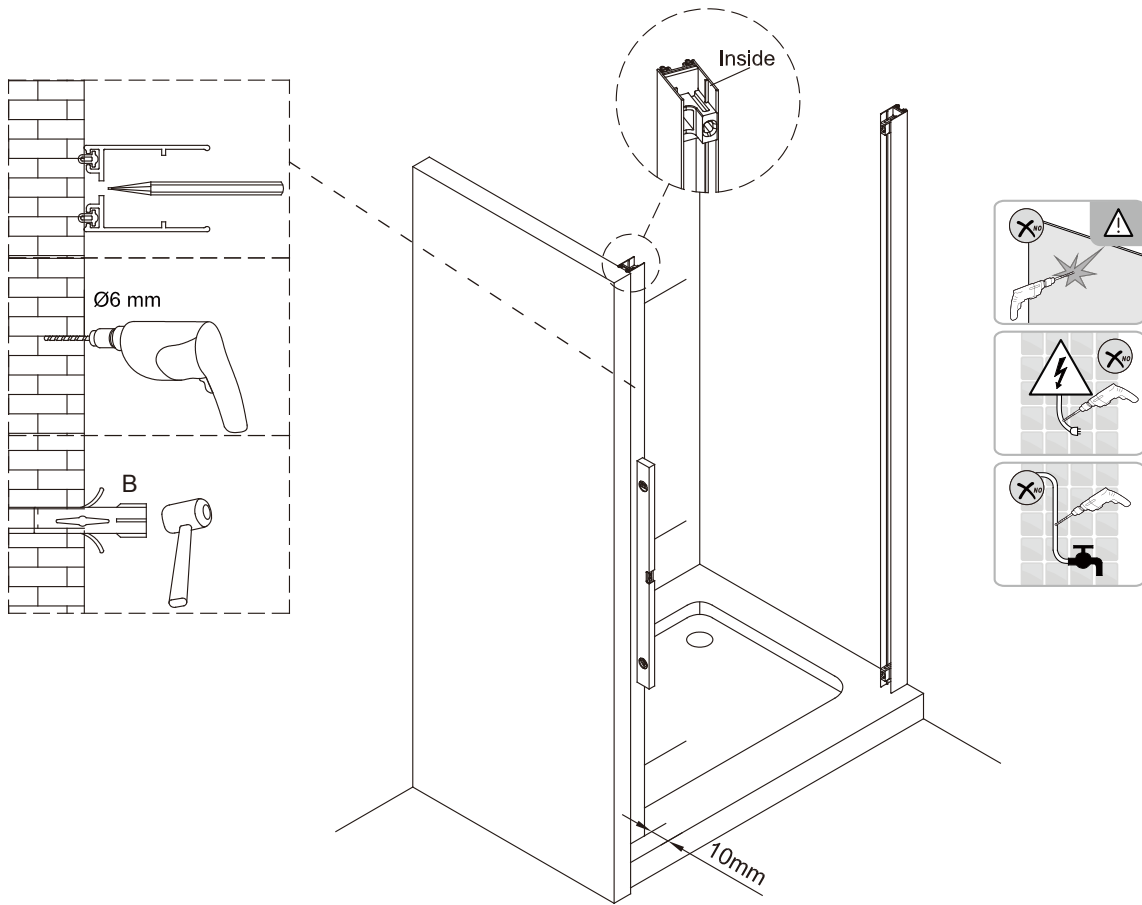
Step 1



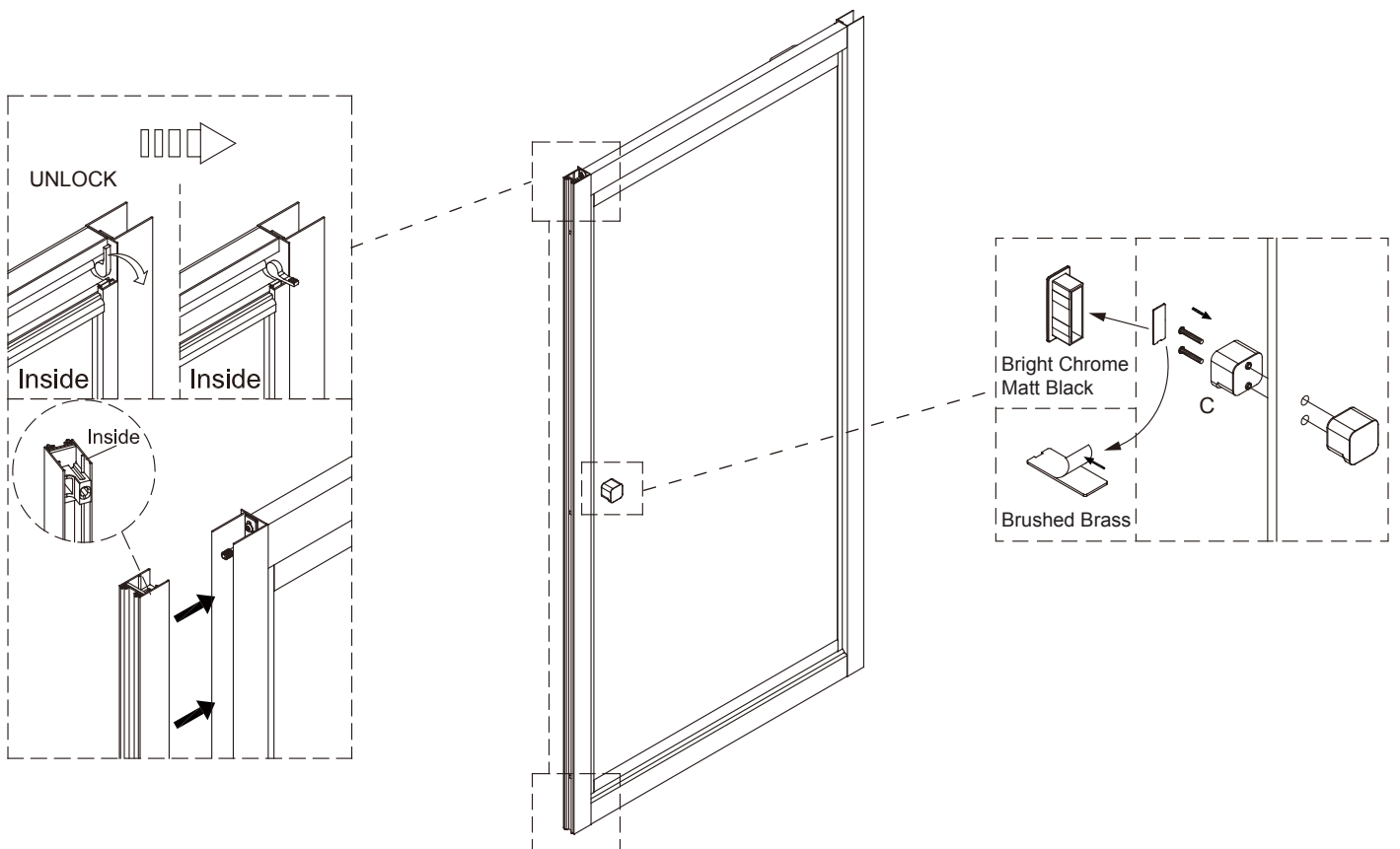
Step 2



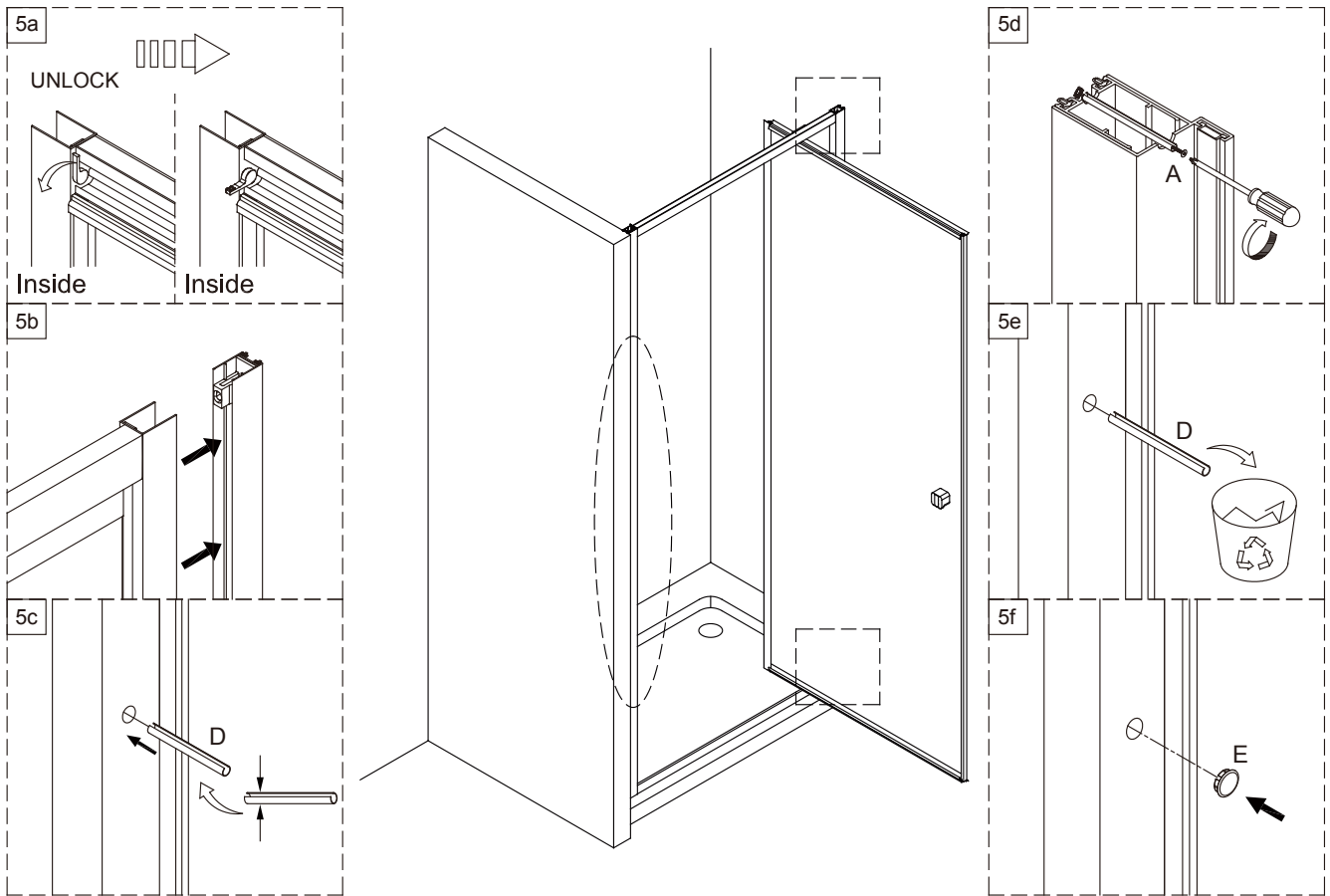
Step 3



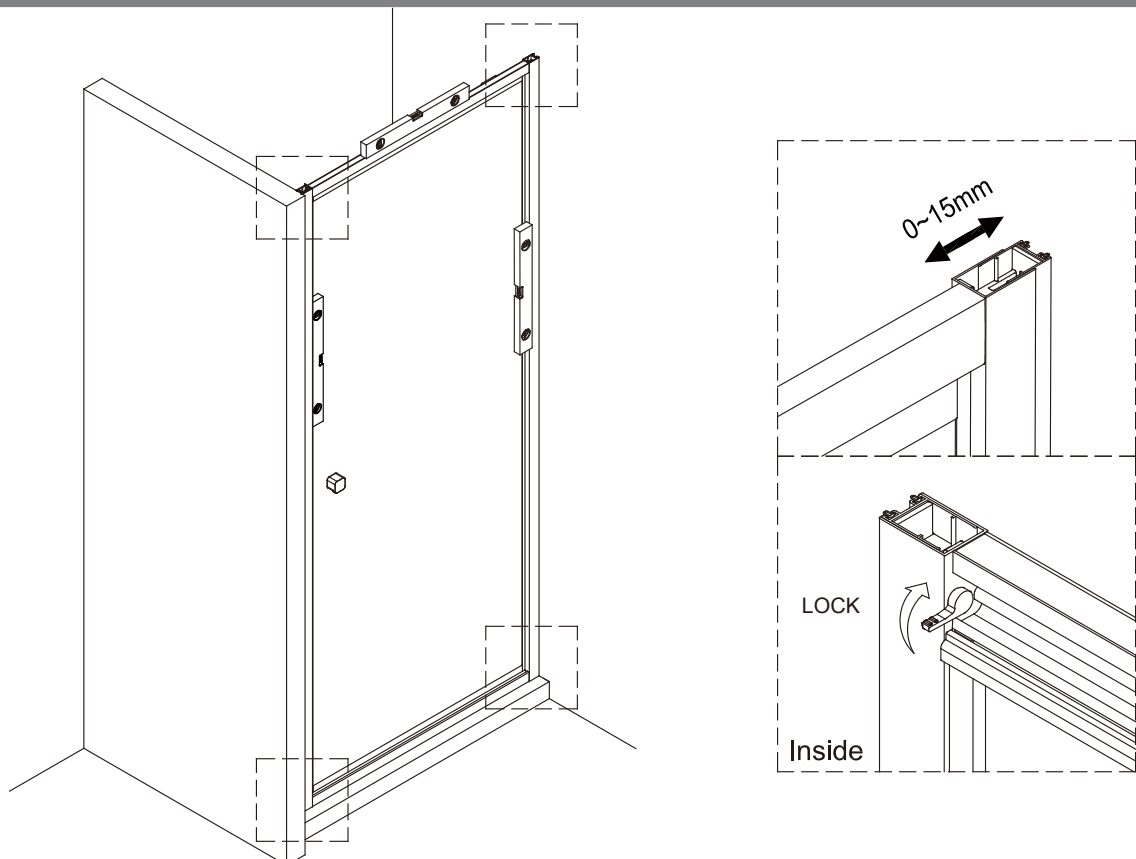
Step 4



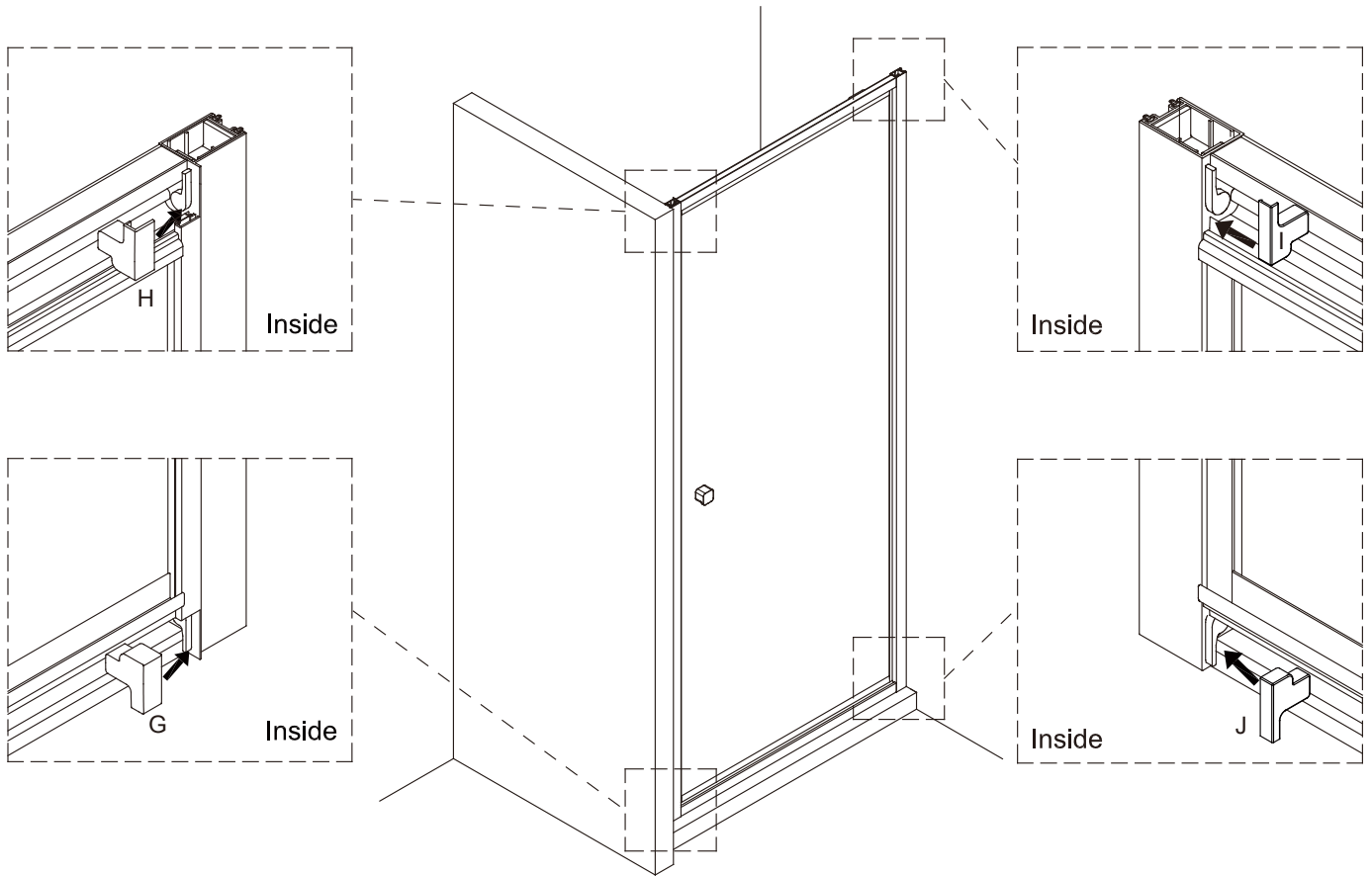
Step 5



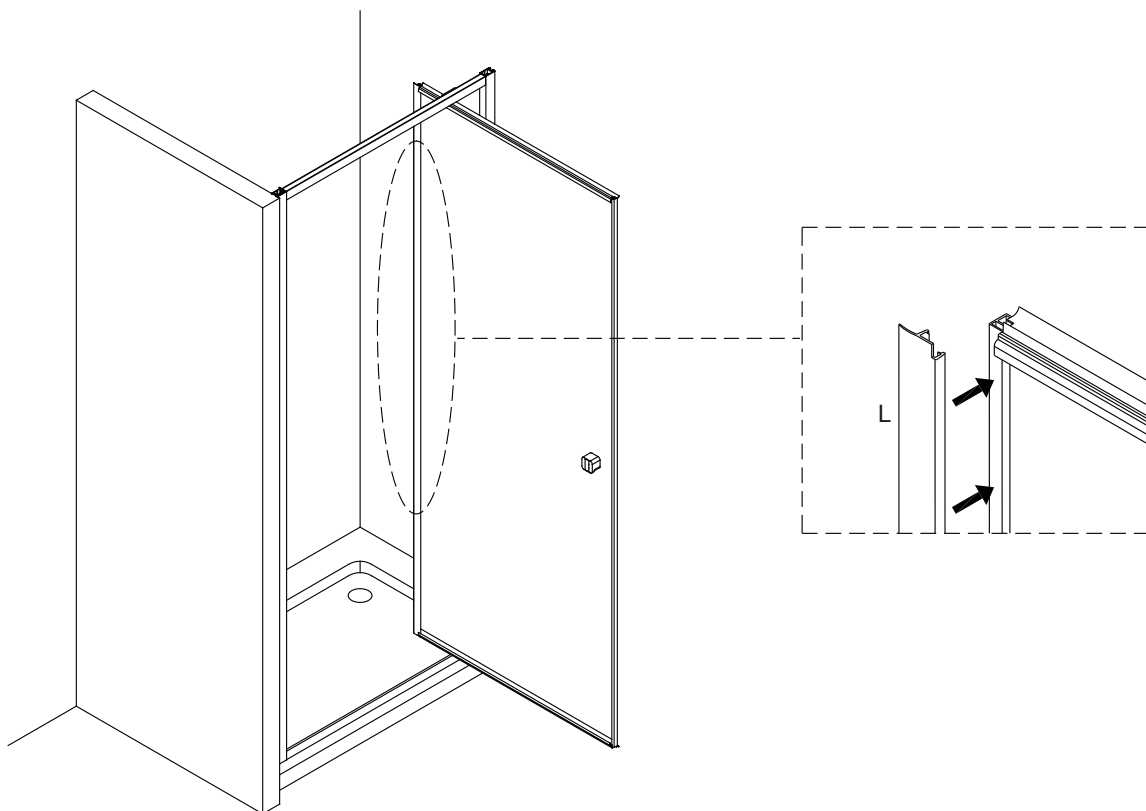
Step 6



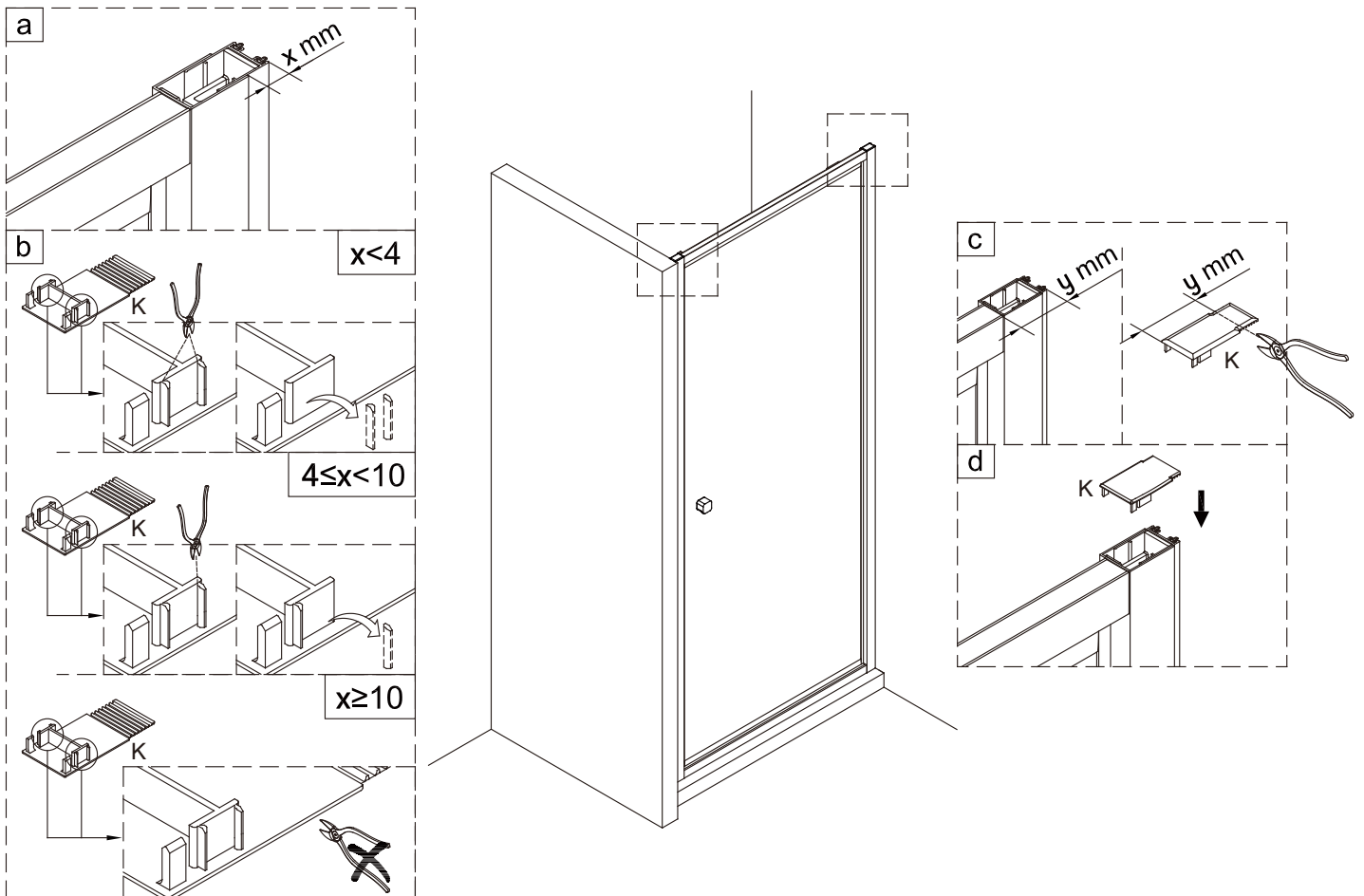
Step 7



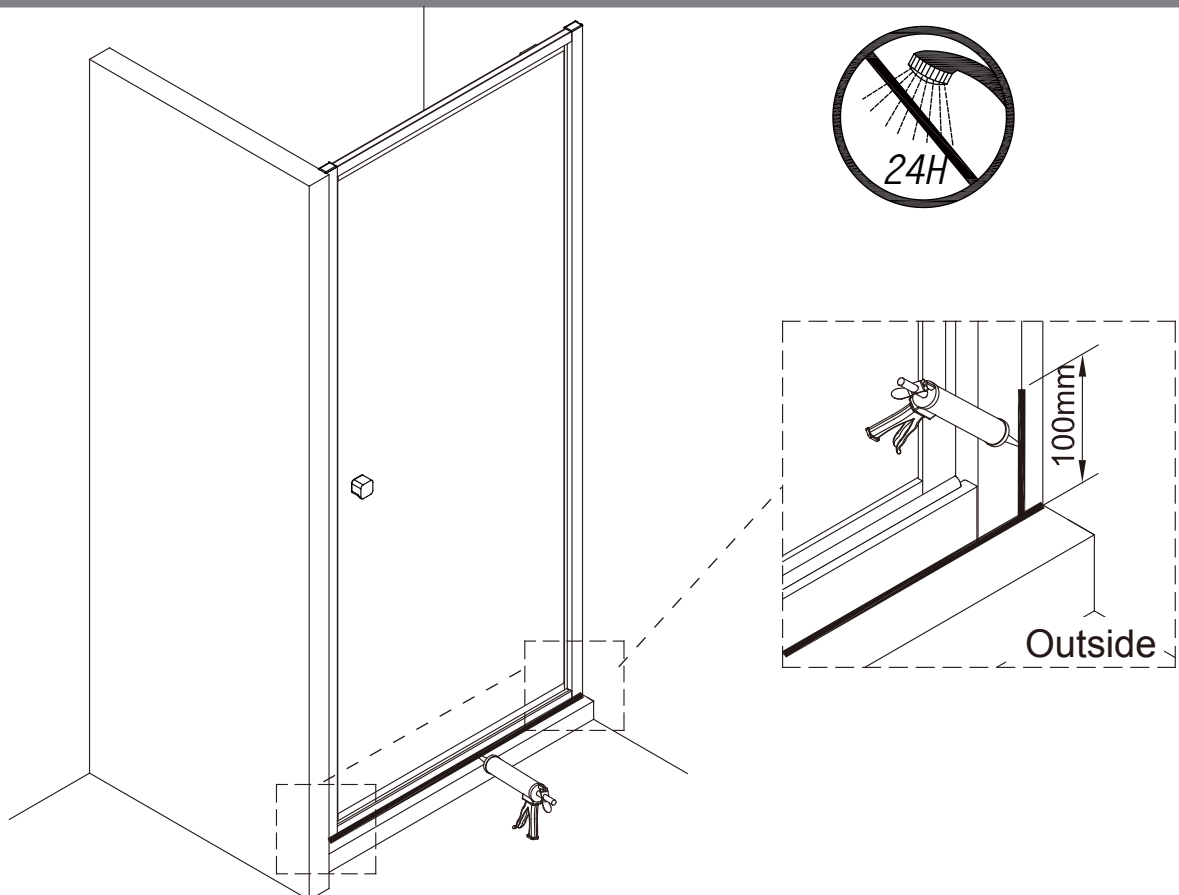
Step 8



Step 9

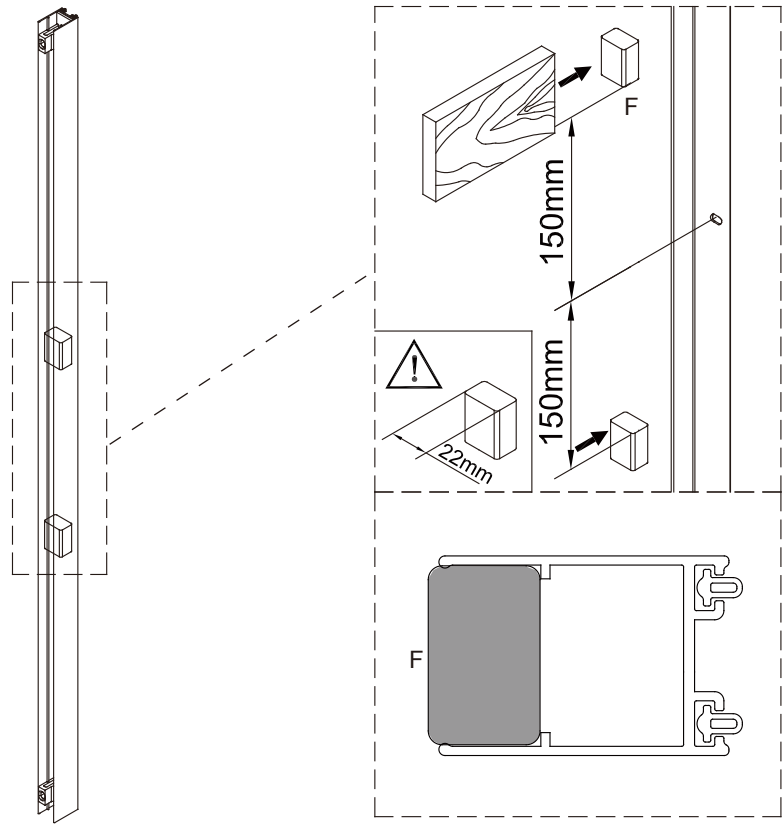


Step 10

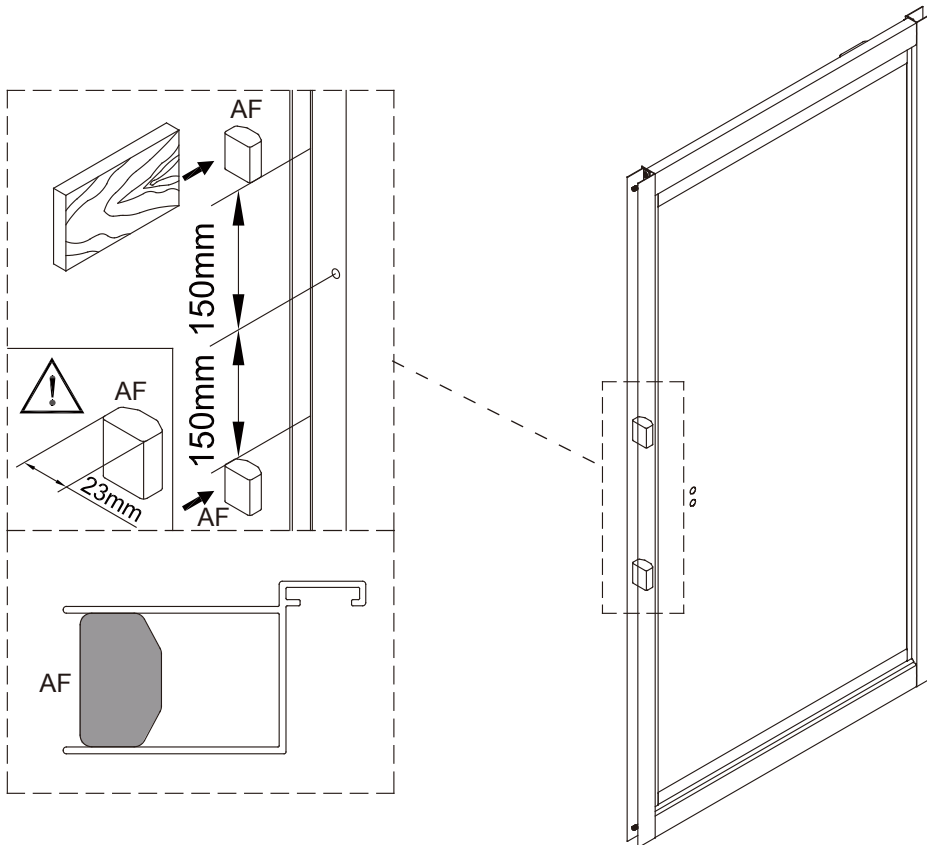


PIVOT DOOR & SIDE PANEL

Step 1



Step 2



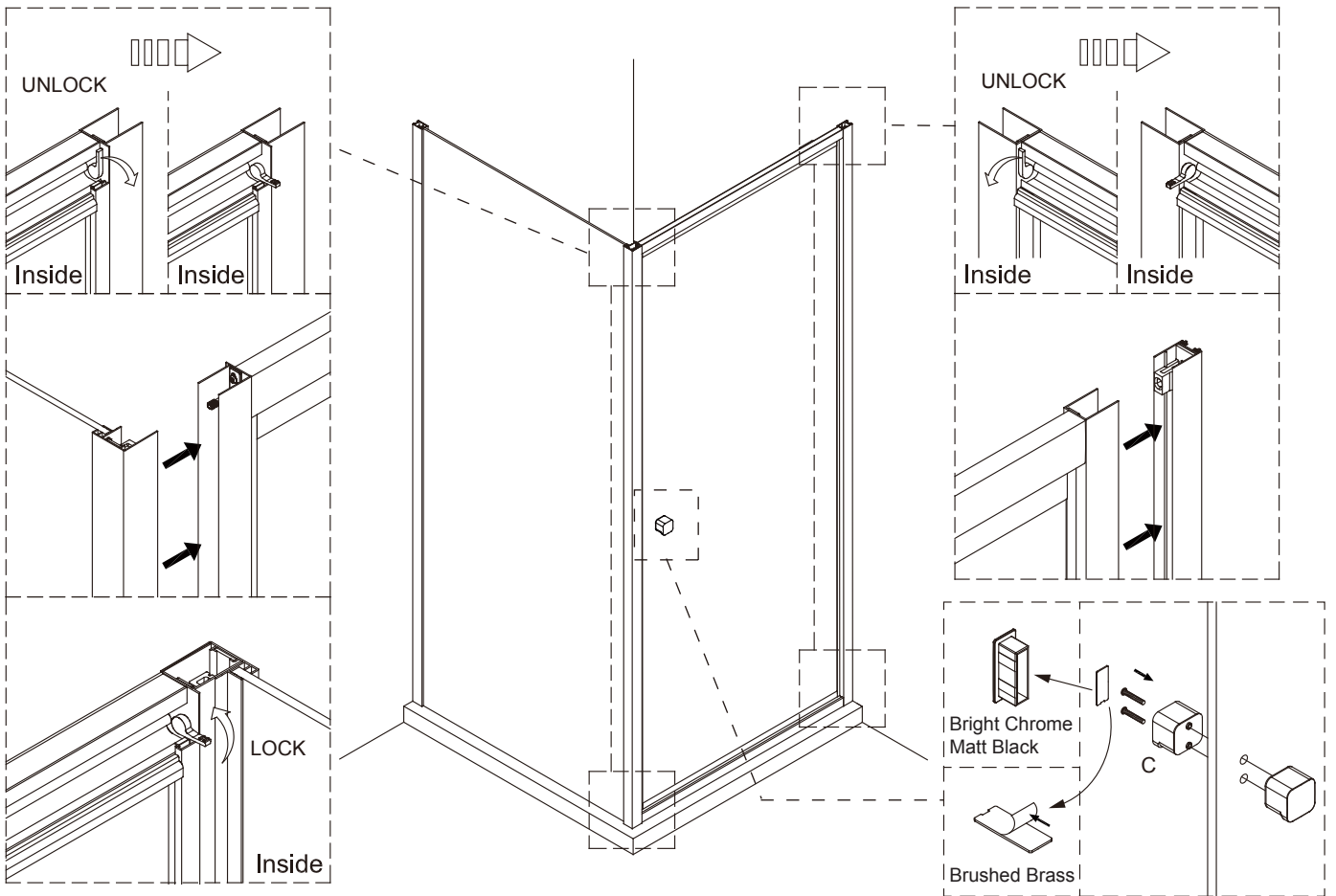
Step 3

Model	A (mm)
CAPDSC0760	720-735
CAPDSC0800 CAPDBC0800 CAPDFC0800	760-775
CAPDSC0900 CAPDBC0900 CAPDFC0900	860-875
CAPDSC1000	960-975

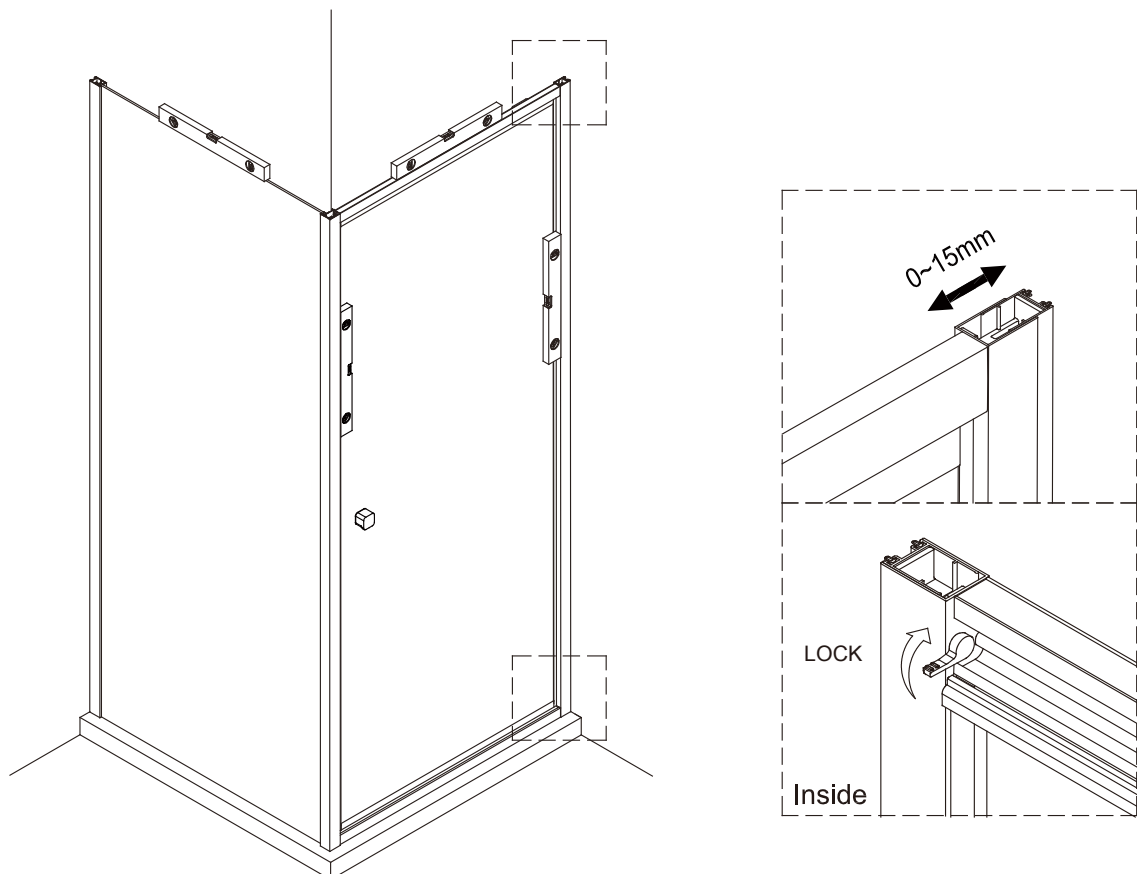
Model	B (mm)
CASPSC0700	673-688
CASPSC0760 CASPBC0760 CASFBC0760	733-748
CASPSC0800 CASPBC0800 CASFBC0800	773-788
CASPSC0900 CASPBC0900 CASFBC0900	873-888
CASPSC1000 CASPBC1000 CASFBC1000	973-988

Step 4

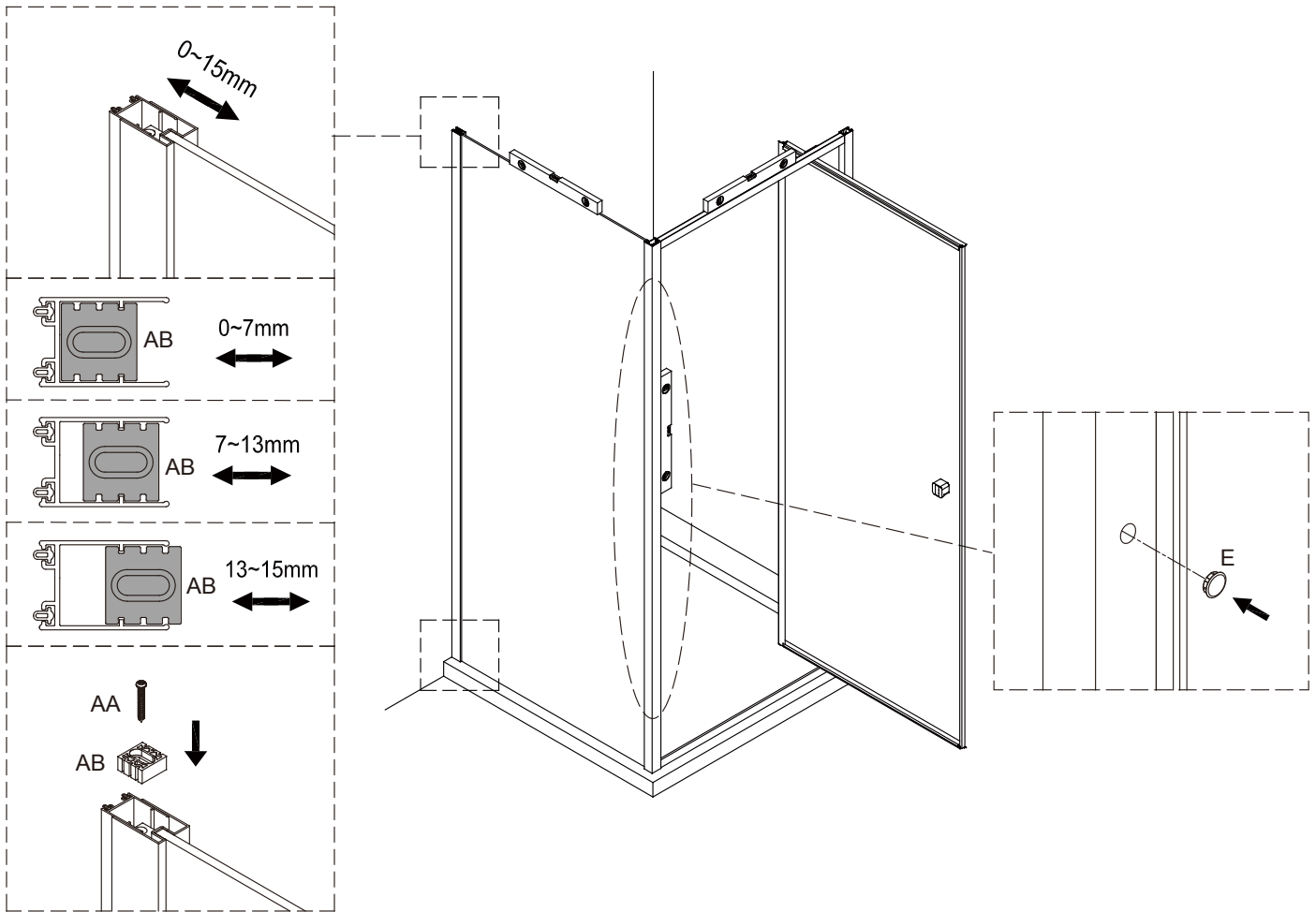
Step 5



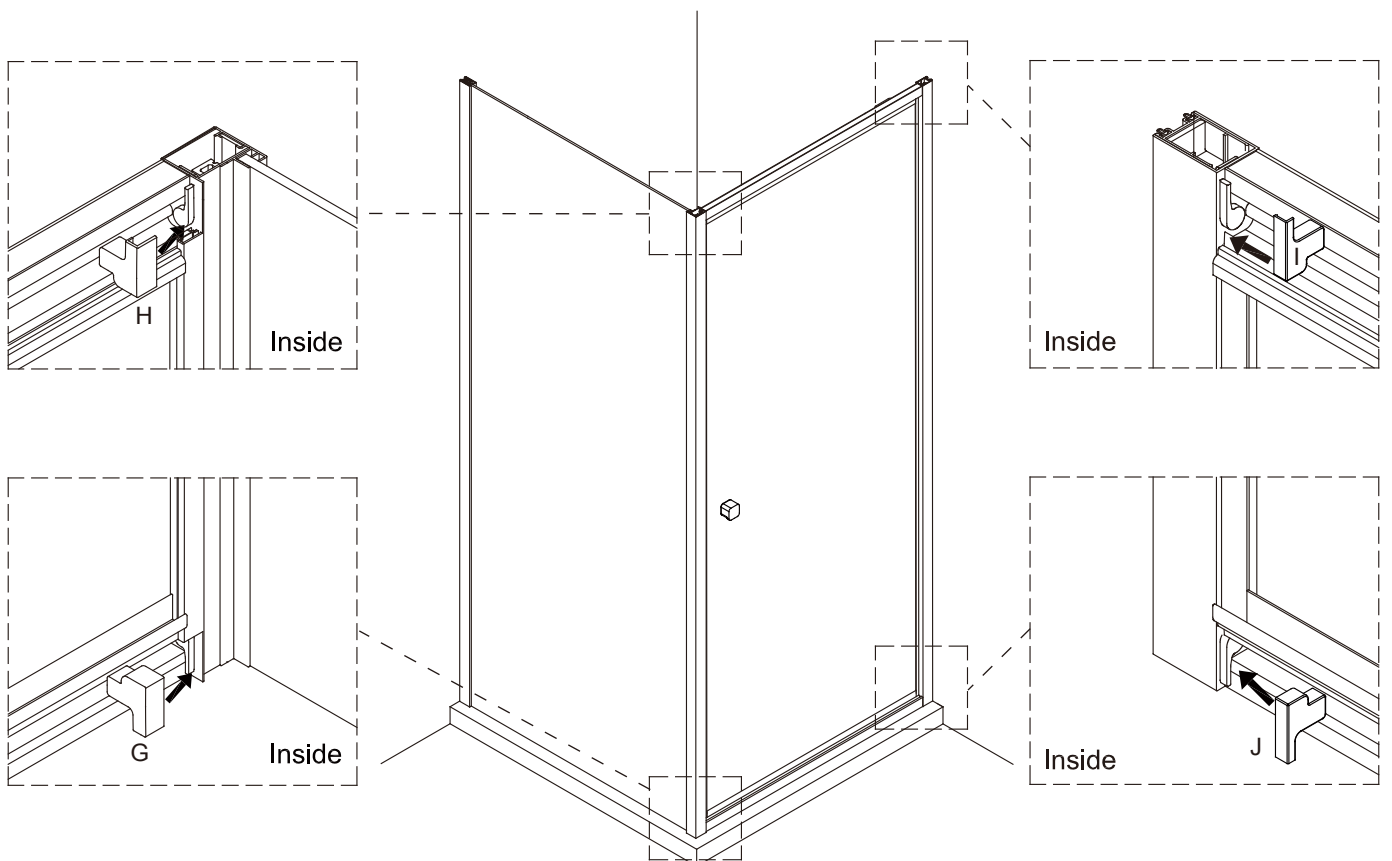
Step 6



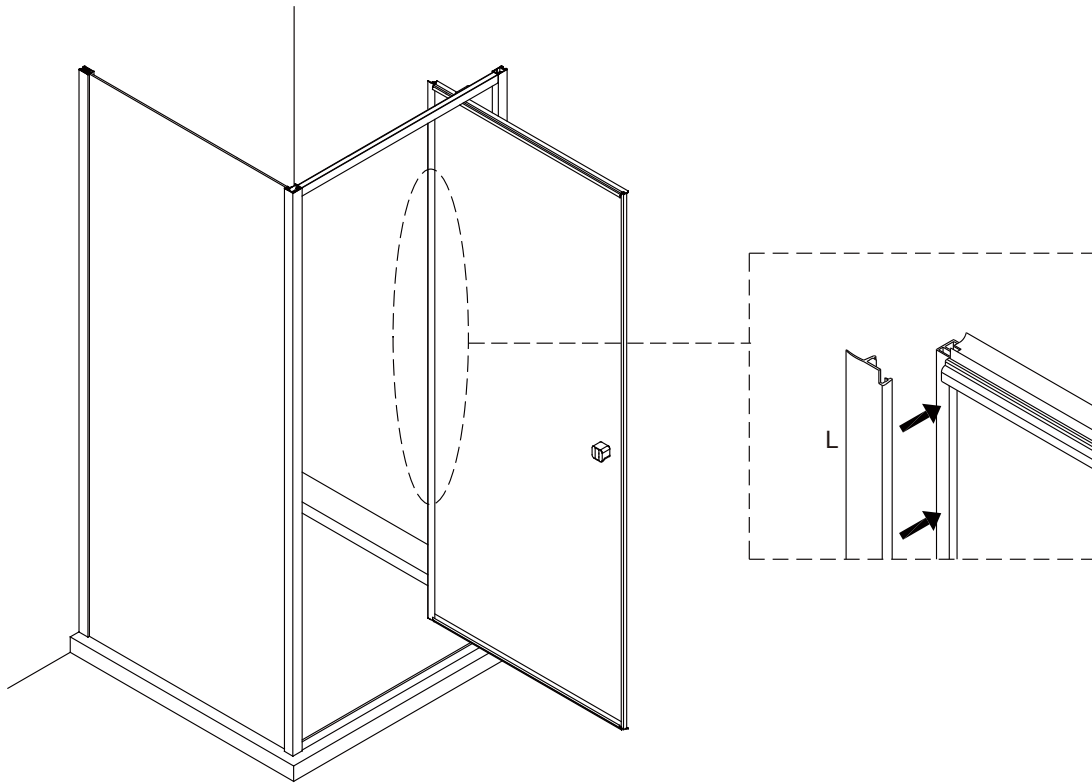
Step 7



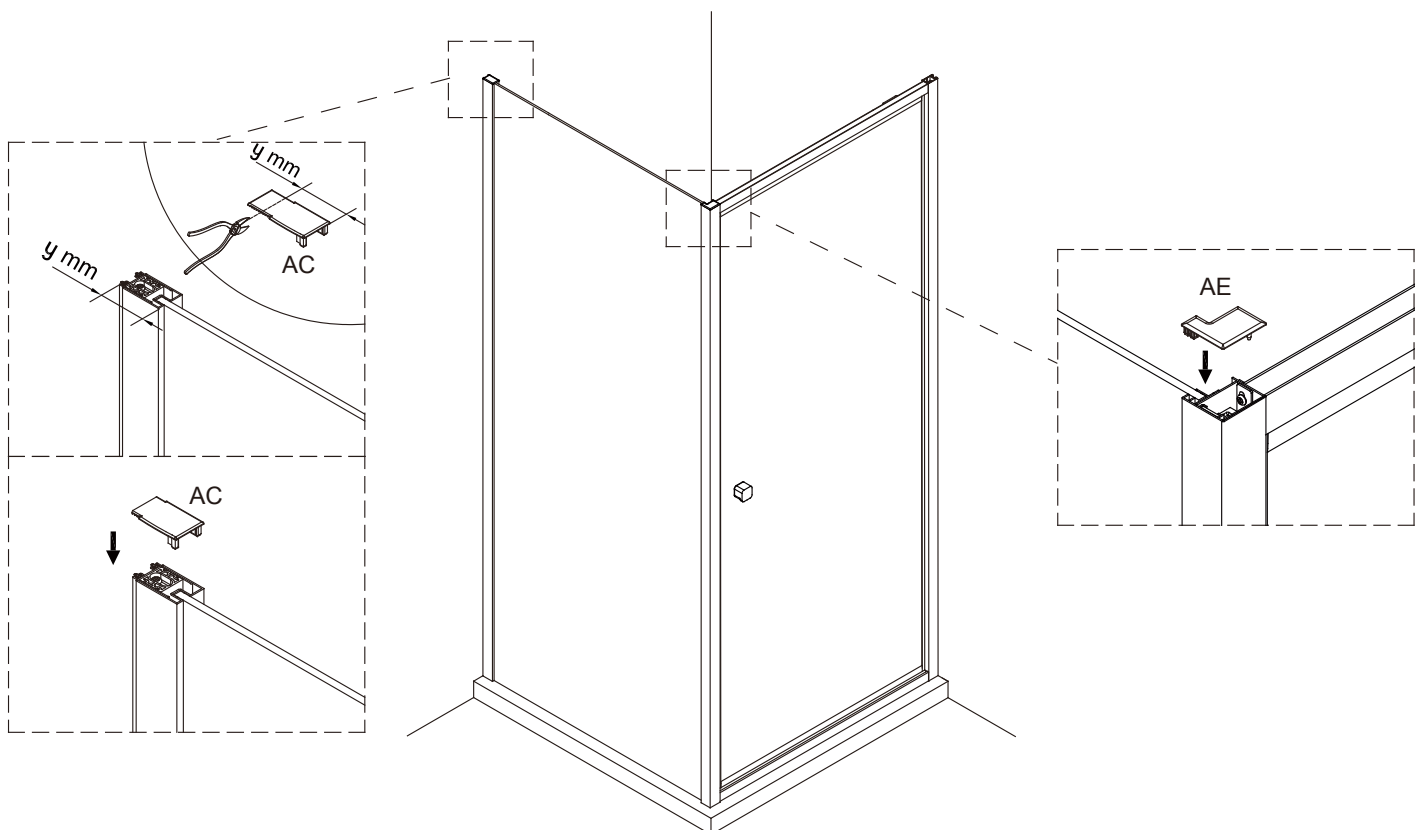
Step 8



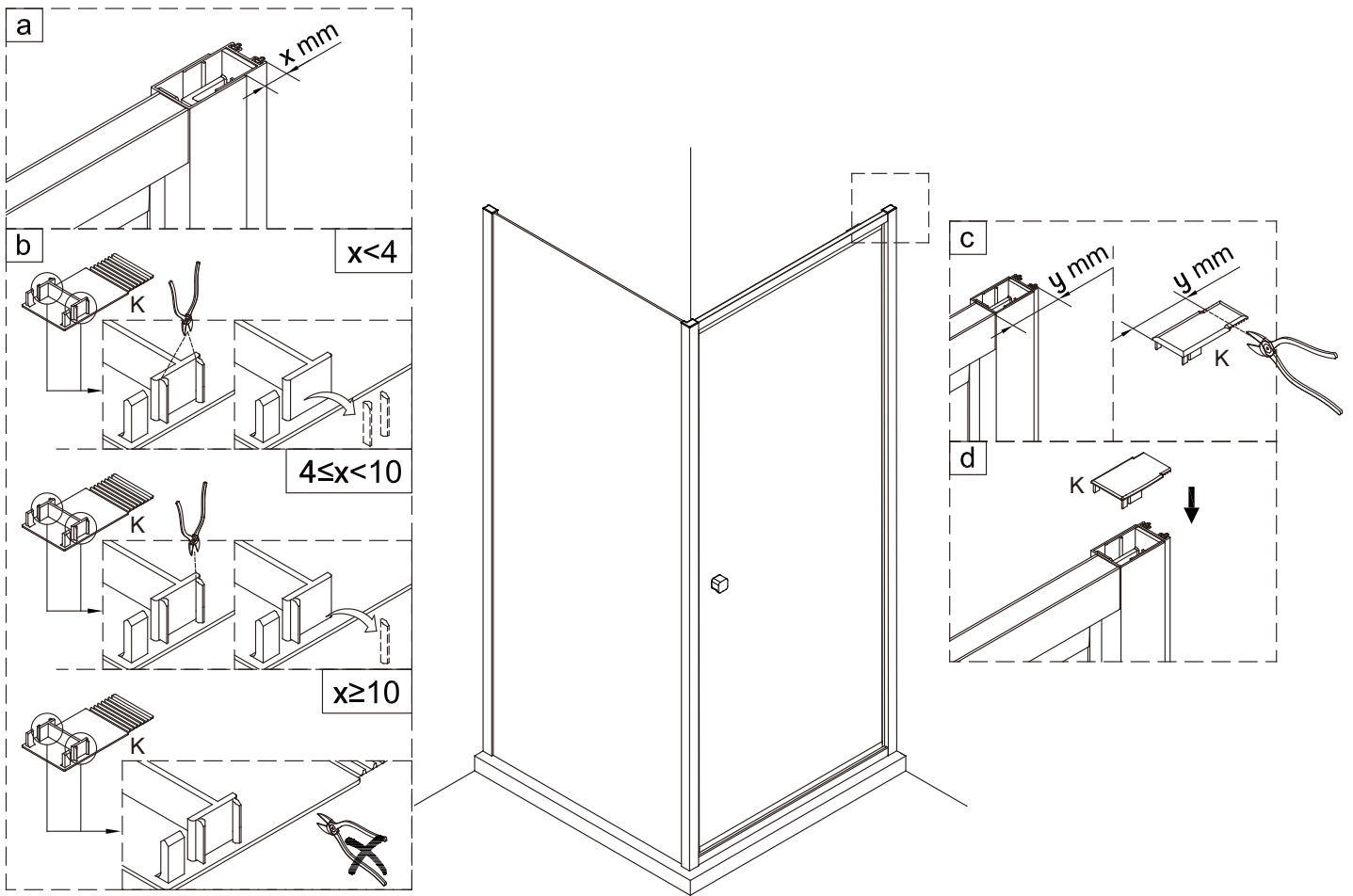
Step 9



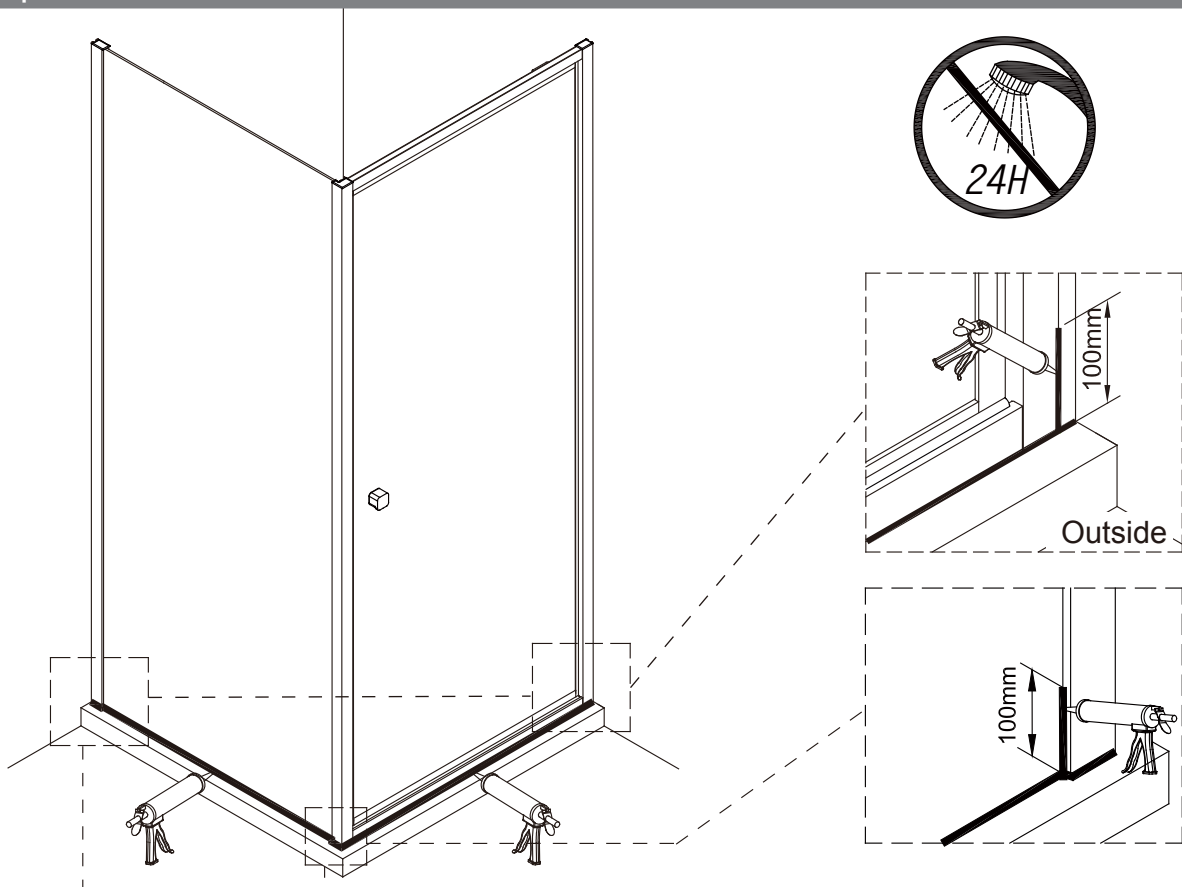
Step 10



Step 11



Step 12



crosswater[®] 

For any further information please contact Crosswater
Phone number, 0345 873 8840
Website, crosswater.co.uk
Email address, sales@crosswater.co.uk
The manufacturer reserves the right to make technical
modifications without prior notice.