

Canvass Basin Unit 700

LV CV7000
40 Kgs

LV CVLEGS
0,4 Kgs

Note:
Vanity Unit and Carcass are supplied separately.

x1 x1
x4

Worktop

IF7100TMC

For complete worktop, please see installation guide supplied with worktops.

To ensure full working use of drawers we recommend the use of basin furniture trap .

Tools & equipment needed: Drill, 8mm Suitable drill bit, Phillips screwdriver, spanner , Spirit level, Ruler/tape measure, Pencil, free silicone



IMPORTANT - Advice and safety - Please read before installation

Please read these instructions carefully before starting installation and keep in a safe place for future reference. ENSURE the room is well heated and ventilated.

Check the contents of the pack carefully before installation. Crosswater will not be held responsible for any de-fit / re-fit costs where faulty product has been fitted.

If any fault is found with materials or workmanship, it must be reported immediately to the manufacturer. Remedial action will be taken, based on information received, on condition that: 1. Full details are supplied to the manufacturer. 2. The product has not been modified or tampered with; 3. The manufacturer is informed of any damage/shortages prior to installation. 4. The product has not been installed, or attempts have been made to install.

We do not accept responsibility for any problems that may occur through incorrect installation.



Advice & Safety

This product should only be installed by a suitably qualified Plumber/installer. Should the installation be completed by a non-qualified person any product guarantee maybe considered invalid. For a claim made under our warranty written certification of your installers qualifications can be required.

It is advised that all doors and drawers are removed prior to fitting to avoid unnecessary damage occurring.

It is recommended that the furniture and accessories are installed after tiling, ensuring that the product is installed flat to the tile face and allows product to be easily removed if required in the future.

This document has been prepared for your guidance, you must exercise due care at all times.

Please note that some units are heavy. Always take care when lifting, and follow health and safety guidelines. It is recommended that 2 people carry out the installation of larger basin/vanity units over 30Kgs gross weight.

Warning! ! Please check for any hidden pipes or electrical cables before drilling holes in the floor or walls.

When using power tools always follow the manufacturer's user instructions.

This installation guide details fitting to a solid wall. If your bathroom has studded/ plasterboard walls, please use appropriate plasterboard fixings. Please ensure the wall can take weight of units detailed above. Before installing a wooden bathroom unit into a new property, extension or recently plastered room we strongly advise the building/room is completely dry, well ventilated and adequately heated.

Important pre-installation notes

To ensure full working use of the drawers we recommend the use of basin furniture trap BTR0410W.

Care & Cleaning

Ceramic, glass and cast mineral marble basin products should be cleaned regularly with warm soapy water, then rinsed with clean water and, if desired, dried and polished with a soft cloth. Lime scale deposits can be removed using a 50:50 solution of warm water and lime scale remover and soft clean cloth.

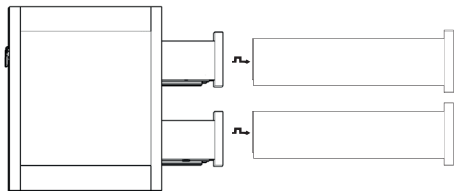
Regularly clean worktop, carcass, legs and drawer using a well wrung chamois leather or micro fibre cloth. The solid wood worktop should be treated twice a year using a natural bees wax.

Do not use abrasive cleaners or bleach in this will permanently damage the lacquered and varnished surfaces.

If any maintenance is required then it must be carried out by a qualified Plumber.

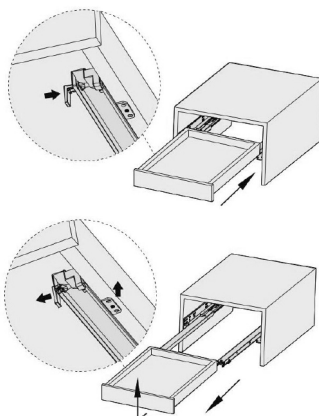
700 Drawer Basin Unit Installation

Step 1



Remove the drawers

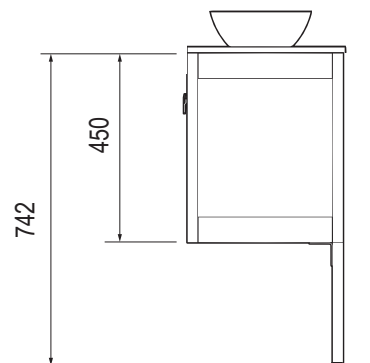
Remove the drawer before installation.



Pull out the drawer to its full extension, gently squeeze the locking levers outwards on both sides and pull the drawer off the runners at the front.

Step 2

Plan unit position



Step 3

'Wall bracket' installation

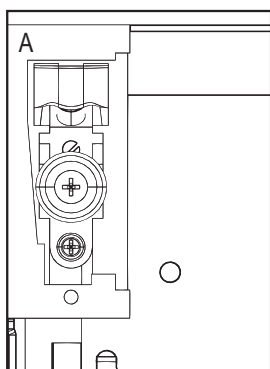
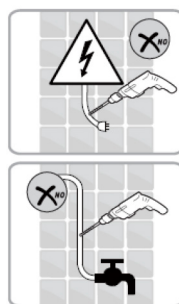
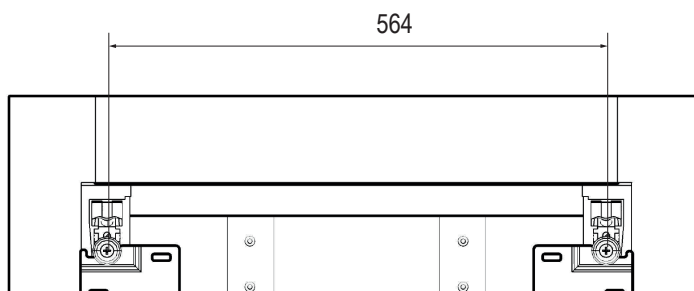
Use the measurements above, to position the 'wall brackets'.

a: Important: The measurements given above are the maximum the brackets can be spaced apart, the brackets must fit within that measurement.

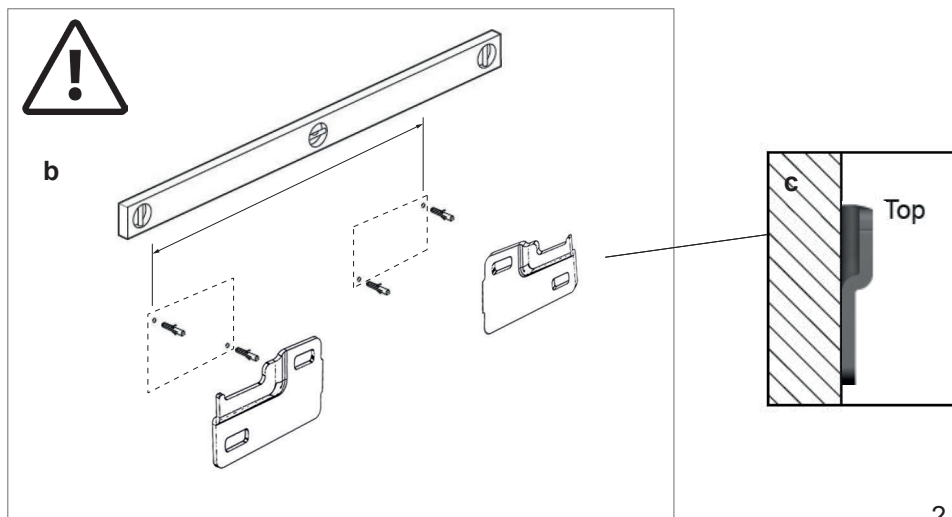
b: Mark the bracket fixing holes onto the wall. Drill \varnothing 8mm holes, insert the wall plugs on solid walls and attach the brackets

Important: If the basin unit and/or basin are not fitted level this may result in the basin not draining correctly.

Position the unit on the brackets.



weight capacity per set of brackets is 172Kg



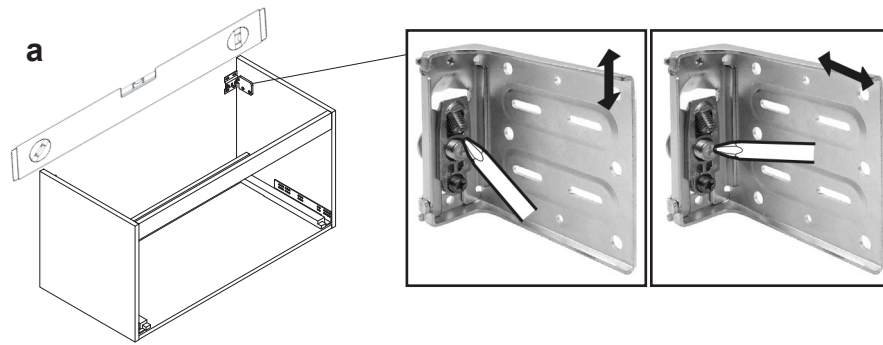
Step 4

a: Check the unit is level.

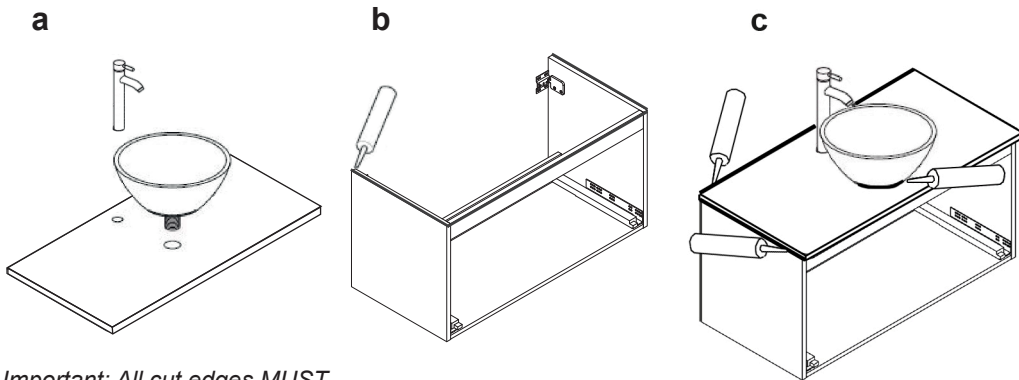
If levelling is required, use a screwdriver to adjust the hanging position, as follows

b: To lift or lower the unit, adjust the screw shown.

c: To move the unit closer or further from the wall, adjust the screw shown.



Step 5



Important: All cut edges MUST be sealed with water proof sealant or exterior wood varnish.

a: Prepare worktop for tap/s and basin. Cut holes where required using a suitable sized hole cutter to suit the basin waste diameter, tap fitting and worktop material.

b: Carefully apply clear silicone to the top edges of the unit.

c: Carefully position the worktop down onto the unit, ensure it is centrally positioned and flush at the back.

Connect the tap and waste.

Apply silicone to the join between the worktop and wall, down sides of the unit and around the base of the basin.

Apply silicon where the basin overhangs the carcass.

Leave silicone, 24 hours to dry.

Basin waste and tap fitting when over tightener can create stress within the basin material which may in time cause the failure of the product. Waste fittings should be carefully bedded in silicone and the back nut hand tightened an additional

quarter turn using a suitable spanner is sufficient to create the required watertight seal. Care should also be taken when fitting brassware to tap platforms in order to prevent similar stress related failures.

Step 6

Inserting the drawer:

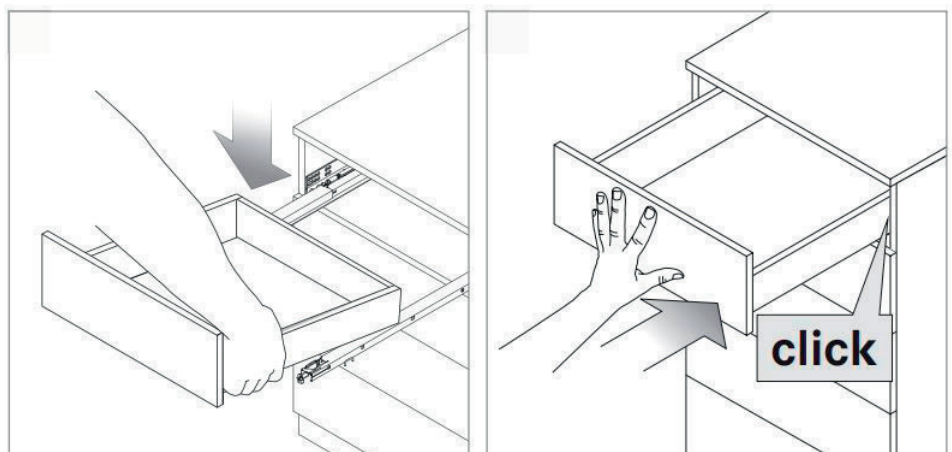
Place the drawer on the extended slides.

Slightly lift the drawer at the front and then push fully closed.

Drawer engages automatically!

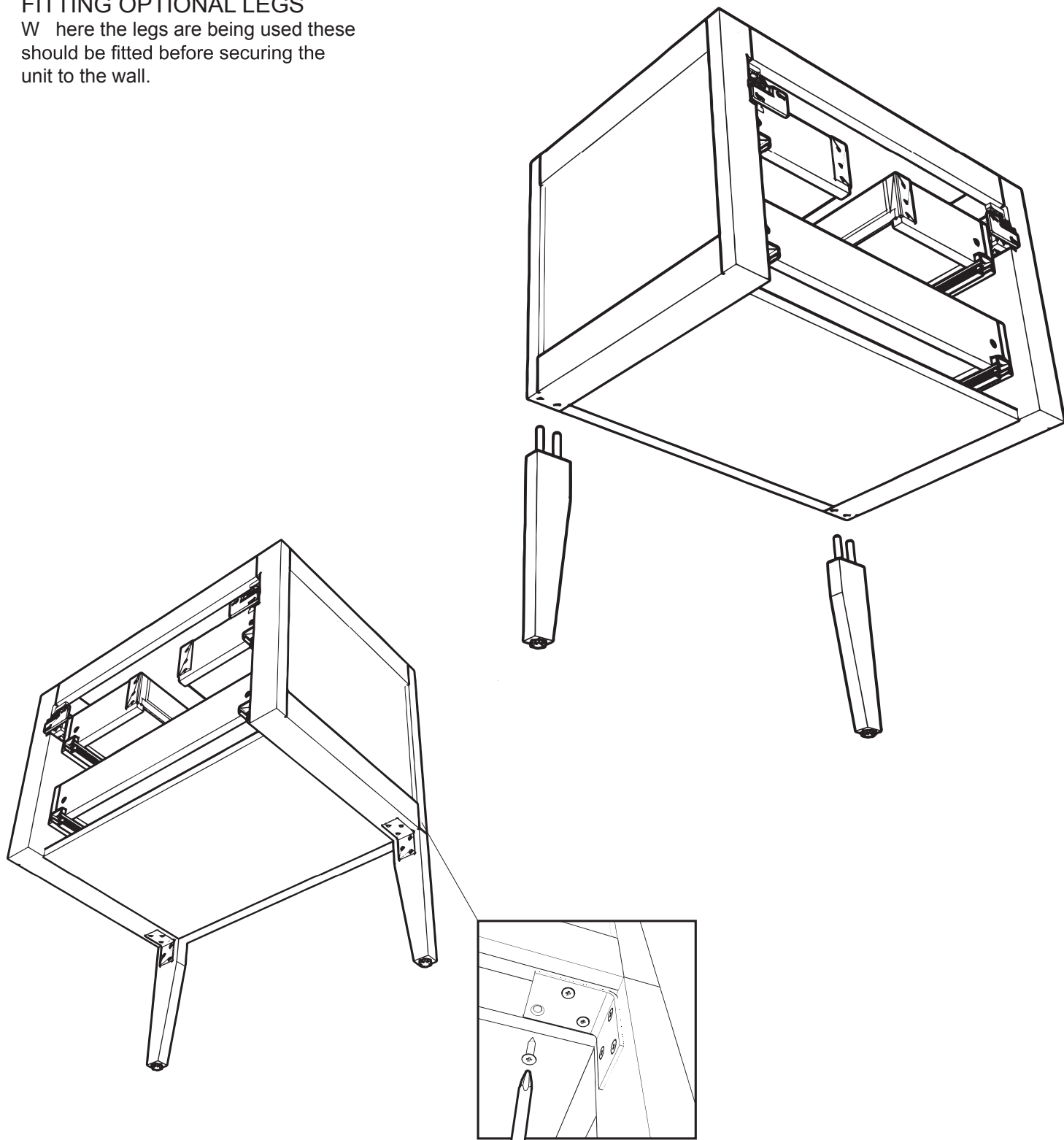
Test to make sure the drawer operates correctly.

The hook situated on the back of the runner has to be fixed in the metal side of the drawer.



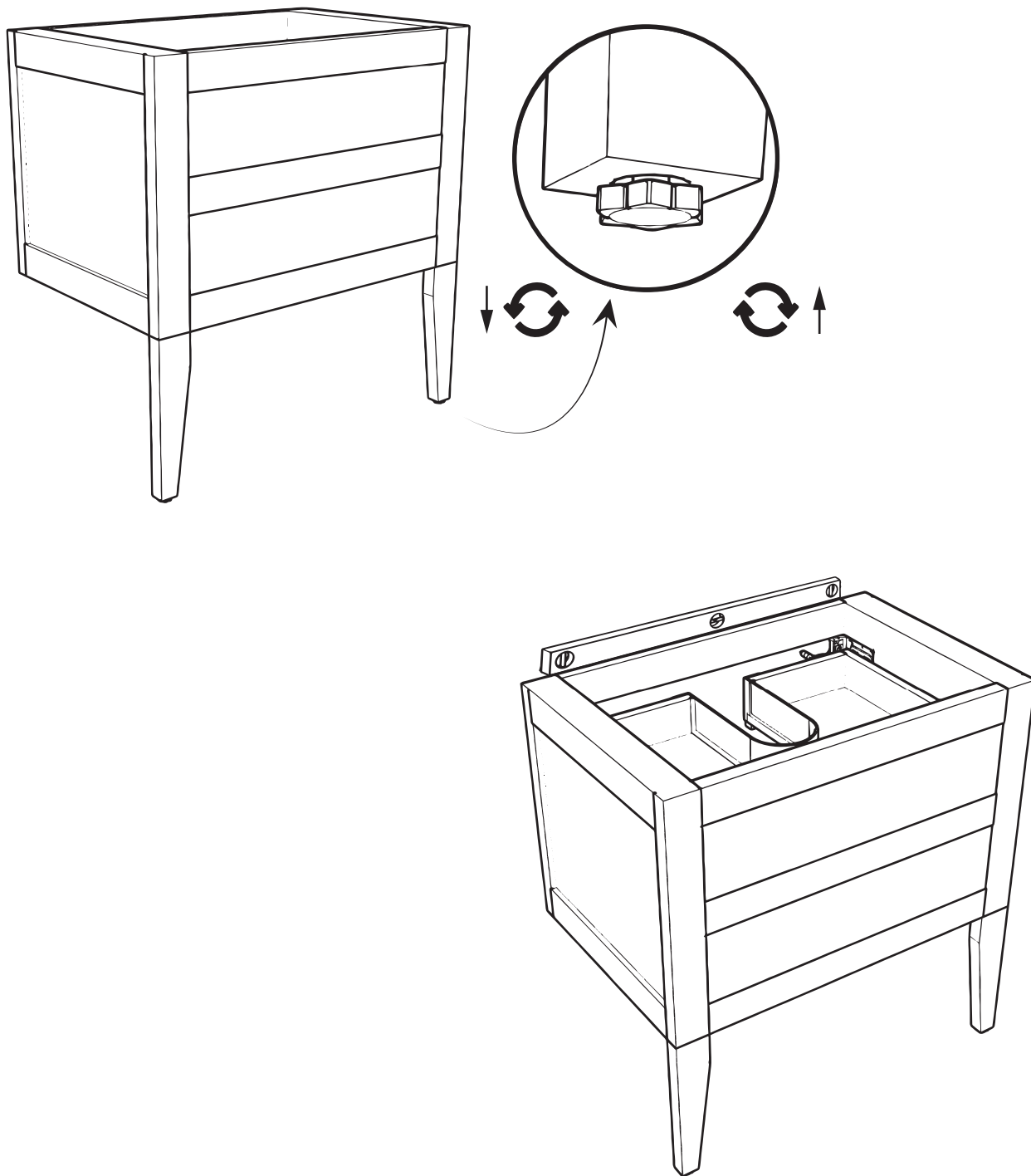
FITTING OPTIONAL LEGS

When the legs are being used these should be fitted before securing the unit to the wall.

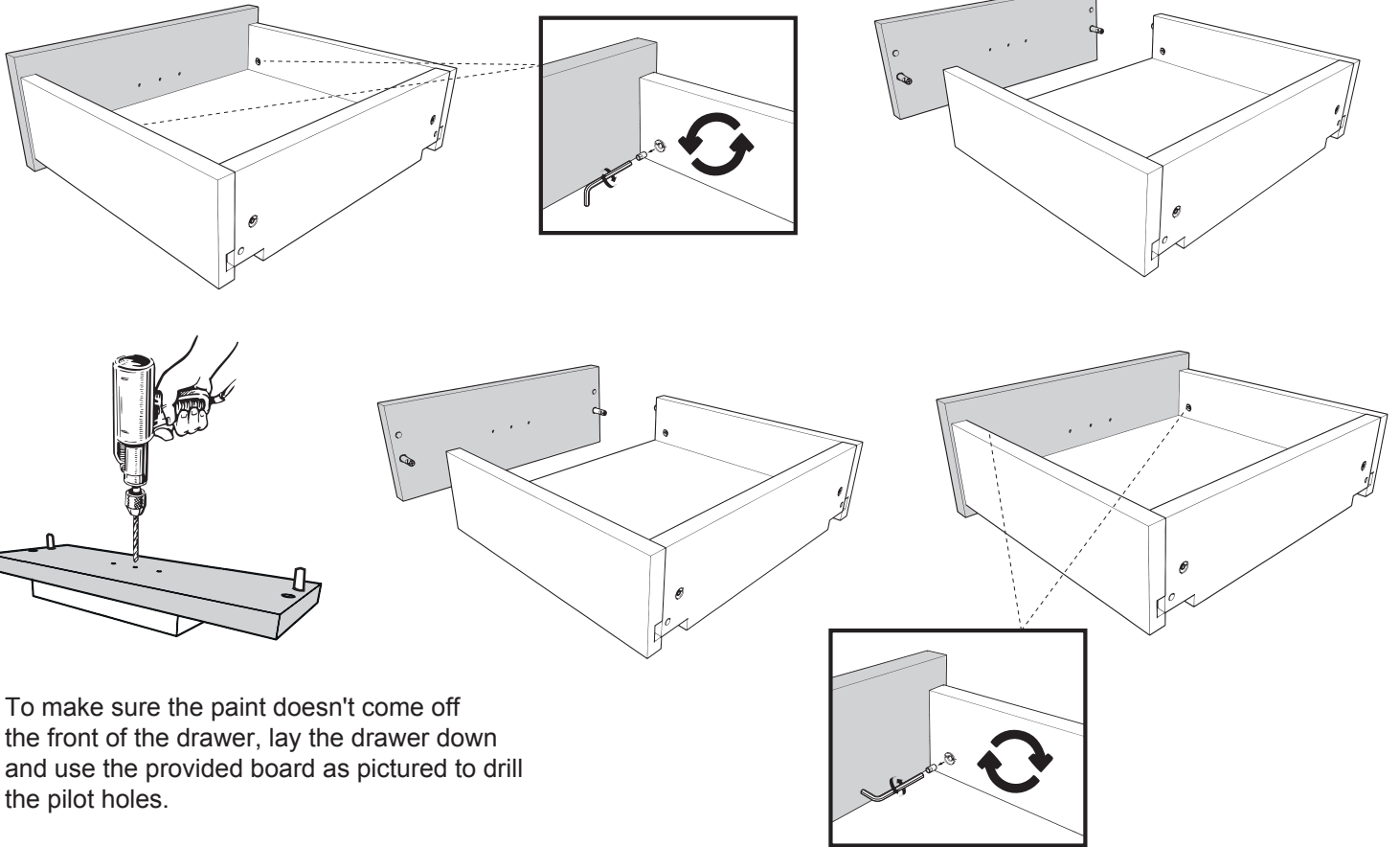


LEVELLING & HEIGHT ADJUSTMENT

Ensure the unit is straight and level by adjusting the feet with a suitable spanner. Once level the unit can be secured to the wall.



Remove the drawer border to insert the handle



To make sure the paint doesn't come off the front of the drawer, lay the drawer down and use the provided board as pictured to drill the pilot holes.

Attach drawer handle
(should be after re-fit drawer but before drawer adjustment)
(pre-fitted on inside of drawer)
Attach the handle to the drawer front.

