

# ALLURE LED ILLUMINATED ALUMINIUM CABINETS



Please read these instructions carefully before starting installation and keep in a safe place for future reference.

Check the contents of the pack carefully before installation. Responsibility will not be held by Crosswater for any de-fit / re-fit costs where faulty product has been fitted. If any fault is found with materials or workmanship, it must be reported immediately to the manufacturer. Remedial action will be taken, based on information received, on condition that: 1. Full details are supplied to the manufacturer; 2. The product has not been modified or tampered with; 3. The manufacturer is informed of any damage/shortages prior to installation. 4. The product has not been installed, or attempts made to install. We do not accept responsibility for any problems that may occur through incorrect installation. ENSURE the room is well heated and ventilated.

Before drilling ensure there are no hidden cables or pipes(water, gas or electrical) behind hanging points. Always wear suitable eye protection when drilling. Ensure the wall surface is able to take the weight of the complete product.

It is important to install electric fittings in the correct bathroom zone i.e. the zone referred to in the IP rating of the element. Reference should be made to the latest edition of the IET Wiring Regulations or a qualified electrician member of NICEIC/IET.

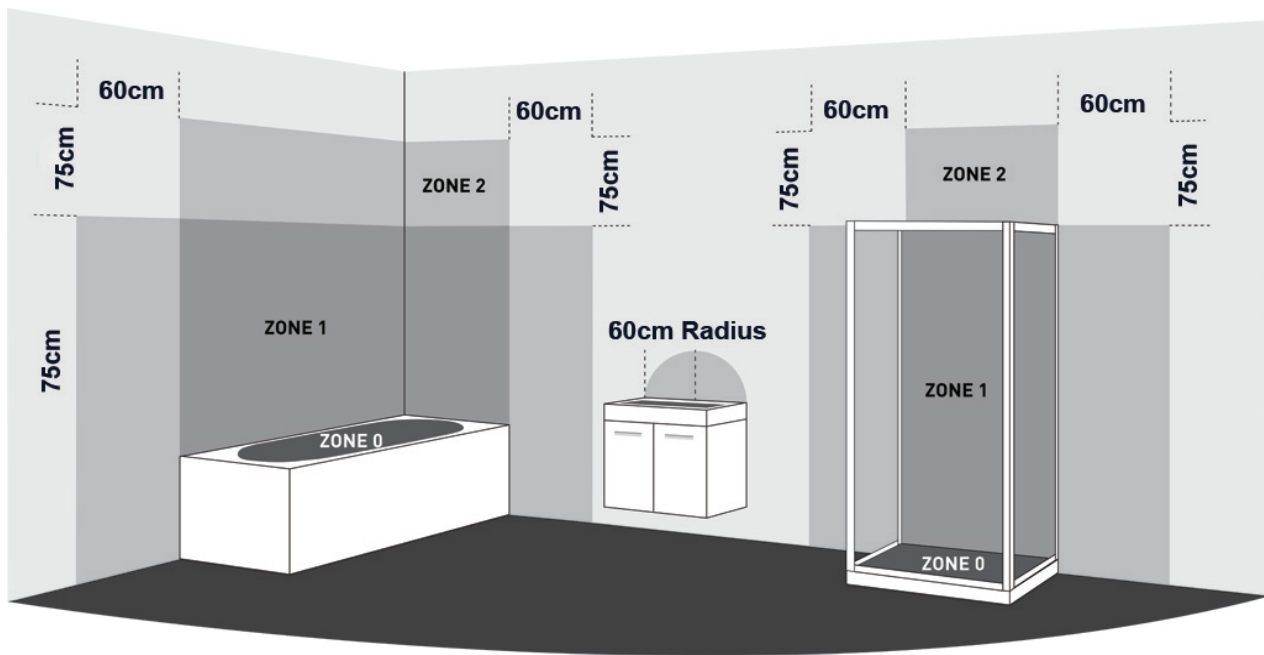
ZONE 0 is inside the bath or shower tray itself. Any appliance used in this zone must be rated at least IP67 which is total immersion proof.

ZONE 1 is the area above the bath or shower tray to a height of 2.25m from the floor. In this zone a minimum rating of IPX4 Splash-proof is required and elements must also be protected by a 30mA residual current device (RCD) to protect the circuit.

The electrical connection to the power supply for these appliances must be in Zones 2/3 of the bathroom in compliance with BS 7671:2008(2011) - IET Wiring Regulations.

ZONE 2 is an area stretching 0.6m outside the perimeter of the bath and to a height of 2.25m from the floor. In this zone an IP rating of at least IP44 is required. In addition it is good practice to consider the area around a washbasin, within a 60cm radius of any tap to be considered as zone 2.

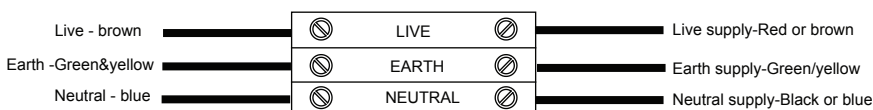
Failure to have electrical products installed and certificated by a qualified electrical engineer will invalidate any product guarantee. For full details reference should be made to the latest copy of the IET wiring regulations and all applicable British Standard and European norm specifications.



## IMPORTANT ADVICE & SAFETY

This product is IPX4 rated and suitable for installation with zone 2 and 3 as above. The product complies with electrical safety standards BS EN 60598-1:2008=A11: 2009 and BS EN 60598-2-1:1989

### WIRING DIAGRAM

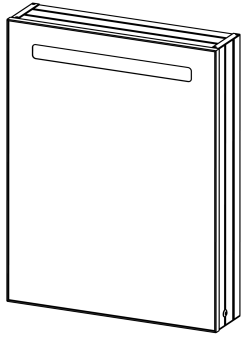


This product is Class I rated and MUST be earthed. Supply 240v/50hZ maximum

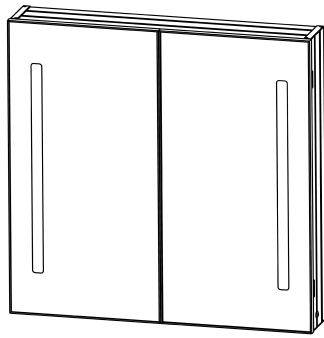


# INSTALLATION INSTRUCTIONS

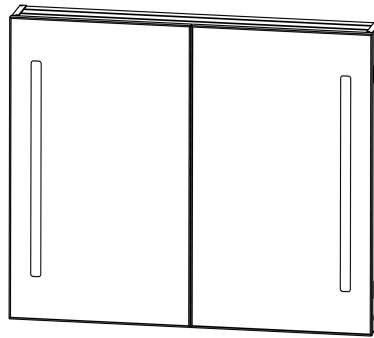
It is recommended that walls are fully tiled before cabinet installation. This ensures that the product is installed flat to the tile face and allows product to be easily removed if required in the future. Remove all outer packing and carefully check the product is in perfect condition. The mirror is supplied with a protective film DO NOT remove this until installation is complete.



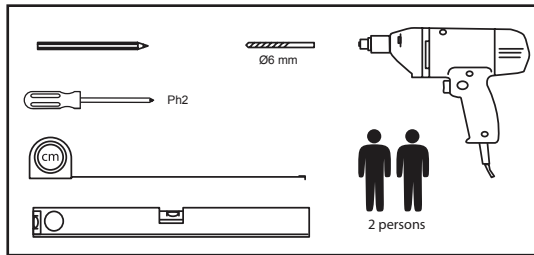
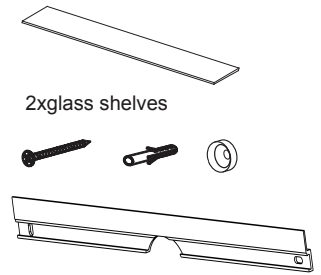
AL5070AL



AL7070AL

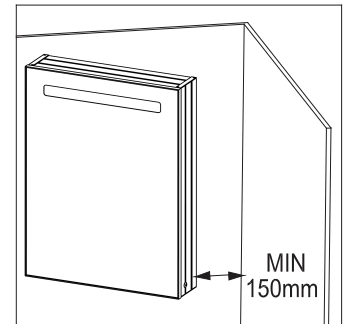


AL9070AL



## IMPORTANT

The product must be installed with a minimum distance of 150mm between the infrared sensor and an adjacent wall surface, countertop or other object to ensure correct function of the sensor.

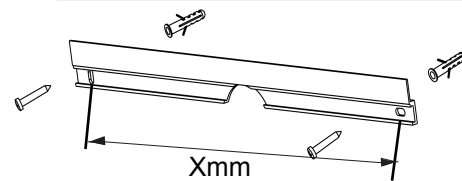
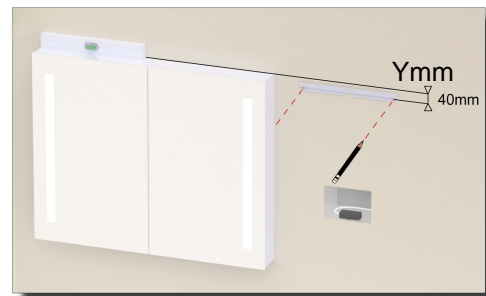


## STEP 1

Offer the cabinet up to the desired wall location considering the safety zone requirements. We recommend that the cabinet is hung at least 200mm above any washbasin/countertop. Using spirit level ensure the cabinet is level and upright. Using a soft pencil mark carefully draw a horizontal line on the wall corresponding with the top of the cabinet.

Take note of the electrical supply point(s) for the cabinet, mark this detail on the wall. Place the cabinet in a safe place.

On the wall surface measure down from the pencil line the distance detailed right. Measure the distance A between hanging bracket centres, then mark the drilling points for the hanging brackets as shown below.



AL5070AL/AL7070AL/AL9070AL : Ymm=40mm

AL5070AL / AL7070AL/AL9070AL : Xmm=340/470/670mm

## STEP 2

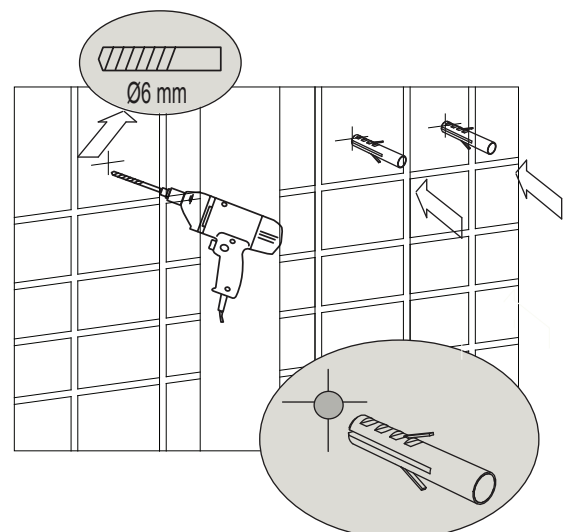
Carefully drill the required holes and insert wall plugs. Note screws and plugs supplied are suitable for solid walls only.

Prepare the power supply, 240V/50HZ maximum.



**ENSURE THAT THE MAINS VOLTAGE SUPPLY TO WHICH THE CABINET IS BEING CONNECTED IS ISOLATED**

The cabinet is manufactured to Class 1 and requires an earth connection. All electrical work and testing must be completed by a qualified electrical engineer in accordance the latest IET Regulations.



### STEP 3

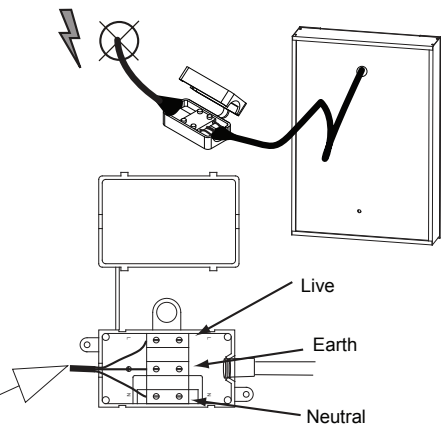
Remove the cover from the electrical connection box. Using a suitable terminal screwdriver make secure connections as follows:

Colour Coding:  
L - Live = Brown  
N - Neutral = Blue  
Earth = Green & Yellow



THIS PRODUCT IS MANUFACTURED TO CLASS I CATEGORY AND MUST HAVE AN EARTH CONNECTION

Close the connection box cover. Restore the mains supply and test the function of the lights and shaver socket. See operating instructions below.

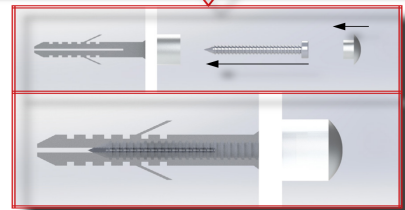
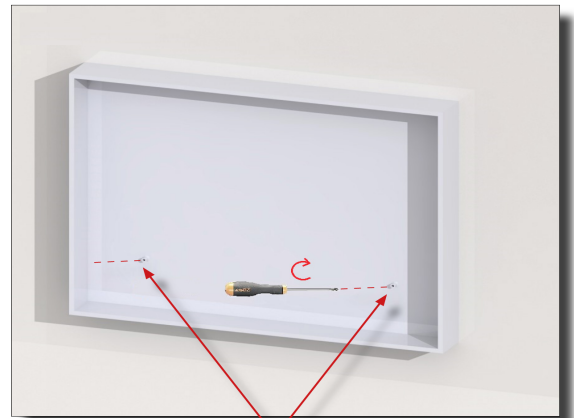
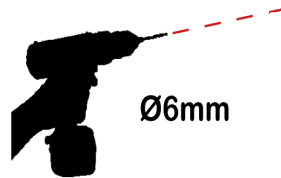
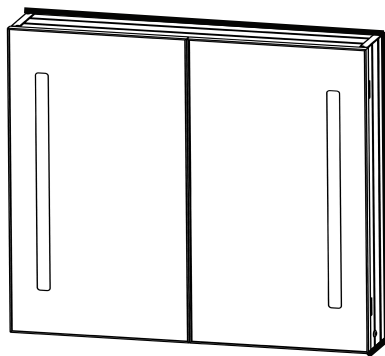


Mains supply and cabinet cable to correct end

### STEP 4

Re-hang the cabinet ensuring correctly located on the hanging bracket and screw in the lower screws on the bottom to secure the cabinet and cover with the chrome caps included as shown.

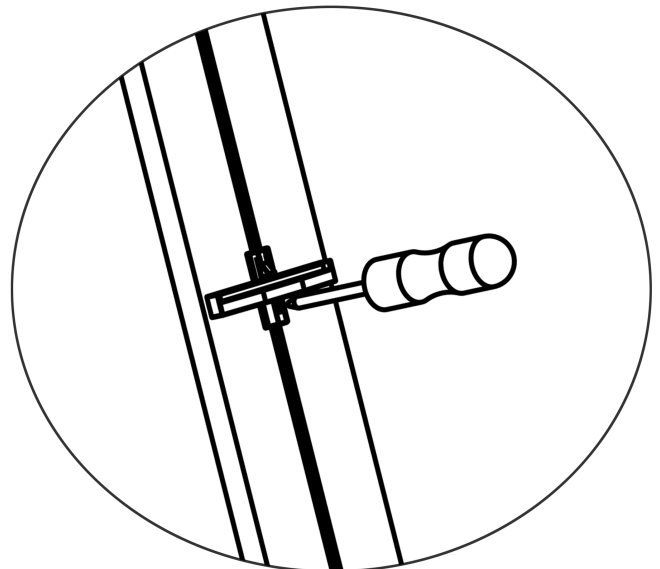
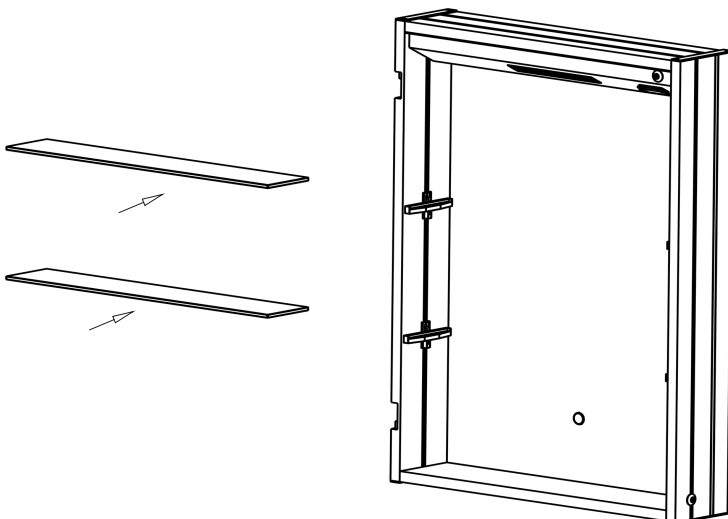
Run a bead of clear silicone sealant on all four sides between the cabinet carcass and wall surface. Allow 24 hours to set before loading or using the cabinet.



### STEP 5

Insert the glass shelves into the shelf supports on the inside profile. The shelf supports are fixed and aligned during production. However it can be adjusted to required height and re-alignment by unscrew the shelf supports.

Glass fragile, please handle with care.

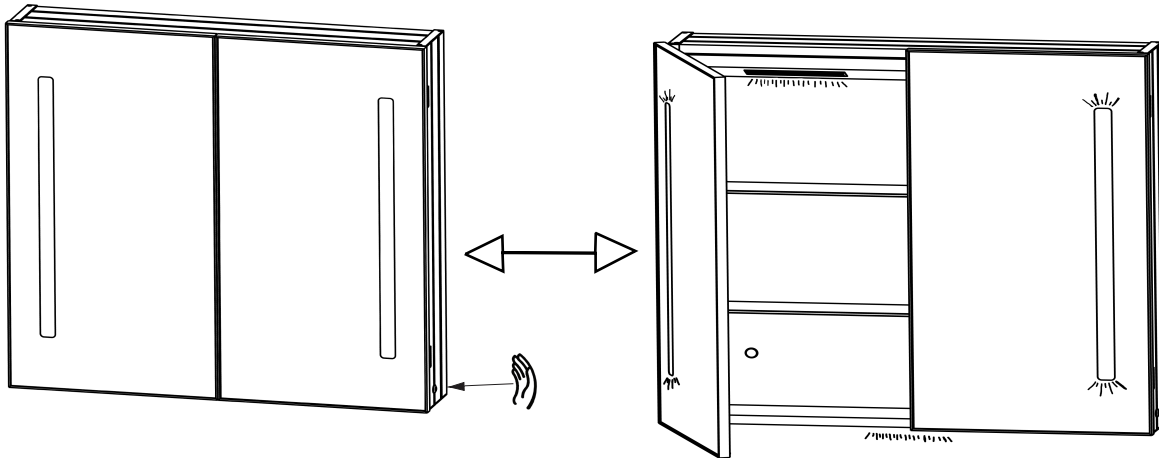


# OPERATING INSTRUCTIONS

To turn the cabinet door and under cabinet lights on or off, activate the switch by passing your hand over the sensor. It is not necessary to touch the sensor switch.

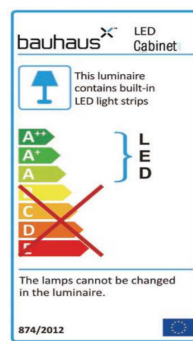
The heated pad is only on when mirror is illuminated.

The interior lights come on when the door(s) are opened, and turn off when door(s) are closed.



## Tube Type

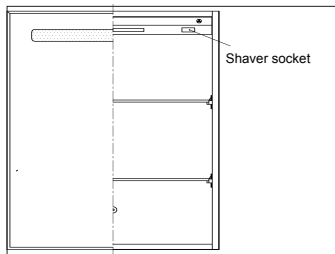
Model	Led Parameter	Led Drive
AL5070AL	88 Leds / 0.1W / 6000K	15W
AL7070AL	190 Leds / 0.1W / 6000K	30W
AL9070AL	205 Leds / 0.1W / 6000K	30W



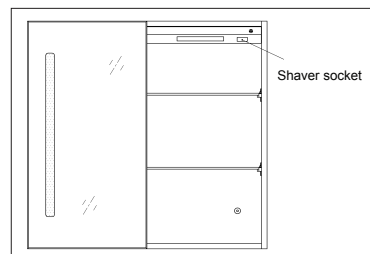
## Position of Shaver socket

Tube Type:

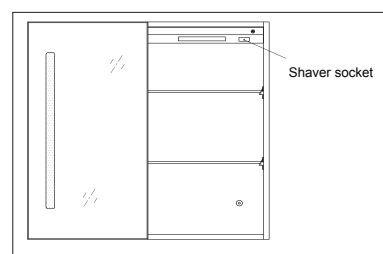
AL5070AL



AL7070AL



AL9070AL



Shaver supply unit complies with BS/EN 61558.



Waste Electrical & Electronic Equipment Regulations (WEEE) requires that any electrical products showing the mark above must not be disposed of with other household or commercial waste. To prevent possible harm to the environment or human health from uncontrolled waste disposal, please separate any such product from other waste types and recycle it responsibly at your local facilities. Check with your Local Authority, Recycling Center or retailer for recycling advice.

## Care and Maintenance

Do not strike/hit glass components with hard or pointed items. Do not place very hot or very cold items against or in close proximity to glass surfaces unless a suitably thick insulation material is used.

Do not place hot items on or against the cabinet carcass.

If the mirror door or a glass shelf becomes broken, replace immediately. For details on replacement glass and other components our contact customer services department on the number below.

Cleaning:

NEVER use products containing bleach, cleaners of a gritty or abrasive nature or so called "glass and mirror" cleaning products, that can be detrimental to the long lasting finish of the mirror or cabinet body.

ONLY use a clean, dampened micro fibre cloth.

For any further information please contact:

Bauhaus on: 0345 873 8840

Or visit our web-site at:

[www.crosswater.co.uk](http://www.crosswater.co.uk)

The manufacturer reserves the right to make technical modifications without prior notice.

**bauhaus**