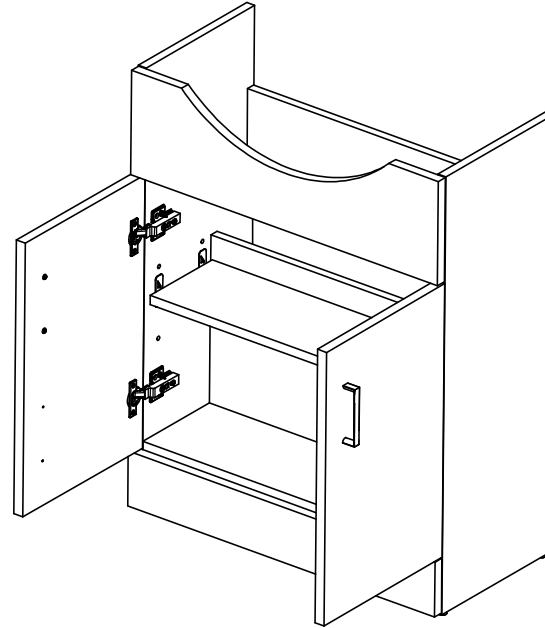



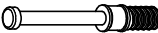

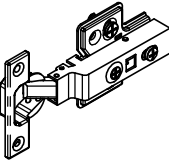



450/550/650 FLOOR STANDING UNIT

PLEASE READ. Carefully open the packs supplied and check the contents against the Panels and Fittings checklist before discarding any packaging. Lay panels on smooth level surface using outer packaging to protect the finish. To maintain the appearance of the units dust regularly with a soft cloth. For grime stains wipe with soft damp cloth using a mild detergent.


NOTE: Any additional components left after assembly may be required for installation-do not discard.
CAUTION: Some fittings are small enough to choke a child.

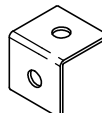
1.	End Panel LH	1
2.	End Panel RH	1
3.	Bottom	1
4.	Front Rail	1
5.	Back Rail	1
6.	Back	1
7.	Shelf	1
8.	Door	2
9.	Upper Fascia	1
10.	Plinth	1



11.		Cam	16
12.		Cam Pin	16
13.		Dowel	22
14.		Hinge Pack A	1
		Hinge Pack B	1
15.		Shelf Support	4
16.		30mm C/Sunk Screw	3
17.		16mm C/Sunk Screw	6/10

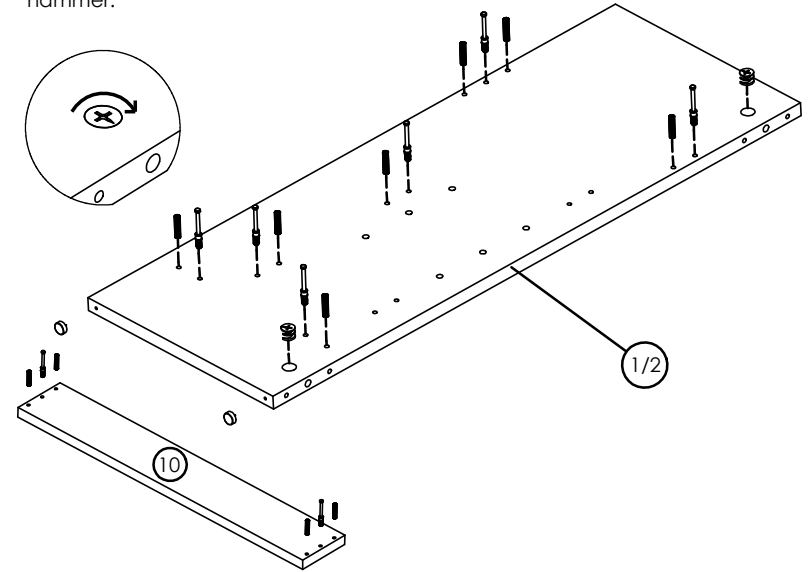
18.		Handle Inc Bolts (only one handle for 450 option)	2
-----	--	---	---

19.		Foot	4
-----	---	------	---

20.		L-Bracket (Only available on 600+ Units)	1
-----	--	--	---

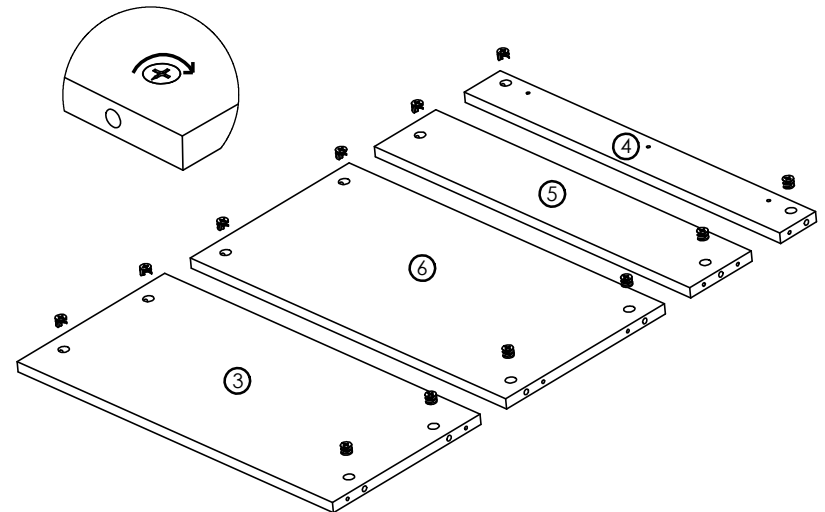
1. Fitting Cams, Cam Pins and Dowels

Insert all Cams (11), Cam Pins (12) and Dowels (13) into both of the End Panels (1/2). Knock the Feet (16) into the bottom of the End Panels (1/2) using a hammer.



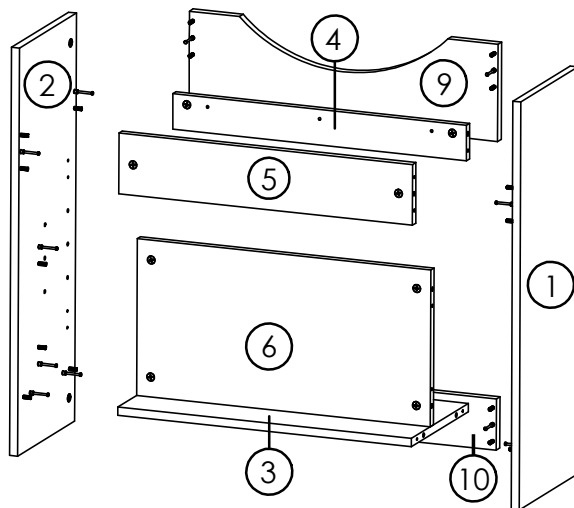
2. Inserting Cams

Insert all Cams (11). Point Cam arrow towards the intersecting Cam hole.



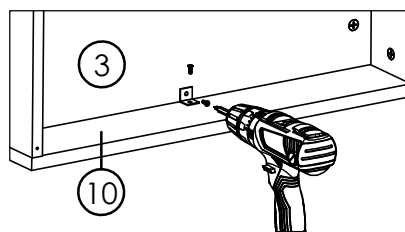
3. Assembling the Unit

Locate the panels by inserting the CAM Pins (12) into the respective holes in the positions as shown. Turn the CAMs (11) to tighten the panels together.



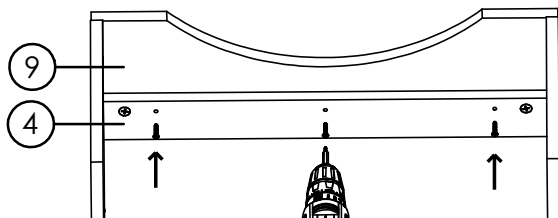
4. Fixing L-Bracket

Using the 16mm C/Sunk Screws (16) provided, fix the L-Bracket (20) between the Plinth (10) and the Bottom (3).



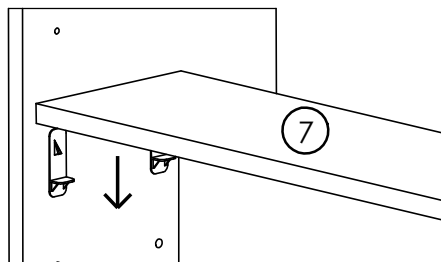
5. Fixing Front Panel

Using the 30mm C/Sunk Screws (16) provided, fix the Upper Fascia (9) to the Front Rail (4).



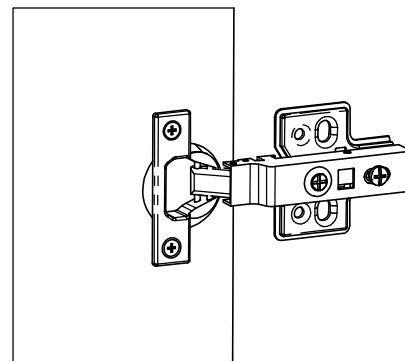
6. Shelf Supports

Select desired shelf position and insert Shelf Supports (15). Place the Shelf (7) on top of the Shelf Supports and push downwards to lock into position.



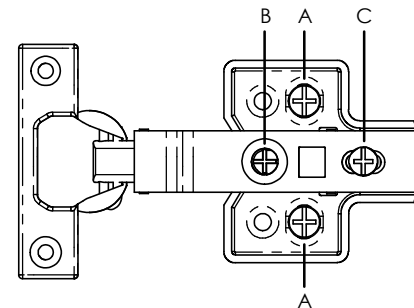
7. Hinges and Hinge Adjustment

Fix the Hinge (14) to the Doors (8) first using the 16mm C/Sunk Screws (17). Use Hinge Pack B in the bottom position on the door.



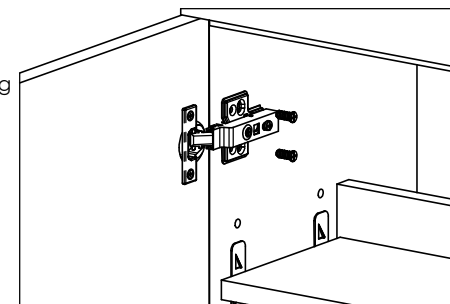
A. Adjusts door vertically
B. Adjusts door horizontally
C. Adjust door in and out

Adjustments apply when door is mounted.



8. Mount Doors

Fix the Hinges (14) to both of the End Panels (1/2) using the 16mm C/Sunk Screws (17). Ensure only one Soft Close Hinge is fixed to each door.



9. Handles

Place a block of wood on the face side of the door before drilling. Drill a 5mm hole through the top two holes on the reverse face of the door. Fix the Handles (18) onto the door panels using the Handle Bolts provided.

