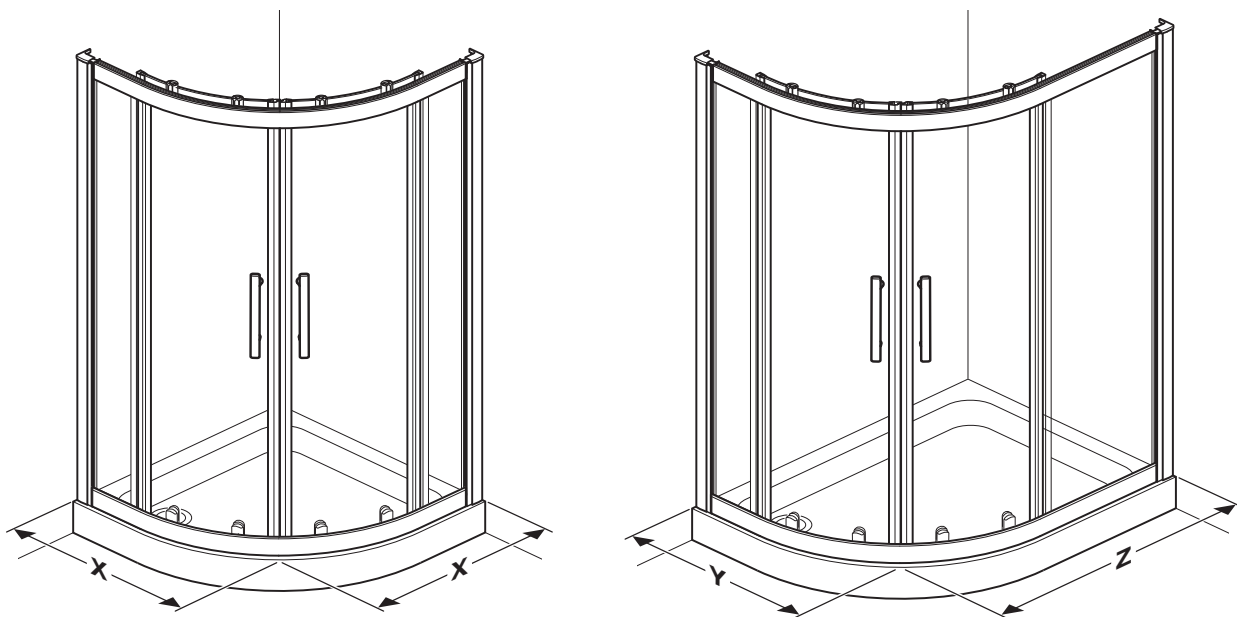


OPTIMA QUADRANT / OFFSET QUADRANT



DIMENSIONS

Check the enclosure size in the table below matches the showertray installation.

X = Widths:

800 Door X = 780 - 805mm

900 Door X = 880 - 905mm

Y = Widths:

1000 x 800 Door = 780 - 805mm

1200 x 800 Door = 780 - 805mm

1200 x 900 Door = 880 - 905mm

Z = Widths:

1000 x 800 Door = 980 - 1005mm

1200 x 800 Door = 1180 - 1205mm

1200 x 900 Door = 1180 - 1205mm

**Please read these instructions carefully and keep for future reference.
Incorrect fitting will invalidate the guarantee.**

⚠ SAFETY

- Handle glass with great care. Although the glass is very tough, sharp impacts can damage both the glass and metal frame.
- Make sure there are no hidden pipes or cables hidden in the wall where you intend to drill.
- Wear safety goggles, shoes and appropriate clothing.

⚠ BEFORE INSTALLATION

- Check that the shower tray is level in all directions. The enclosure will not sit correctly on an uneven surface. If uneven, the wall channels may not fit and the doors may not shut correctly.
- The enclosure should be fitted on tiled walls which are sealed with waterproof grout.
- There must be a good silicone seal between the rim of the shower tray and the wall.
- The shower tray and the enclosure must match in size. Attempting to fit the incorrect size of enclosure to the shower tray will result in water leaks.
- Always check very carefully that components are vertical.

Equipment needed:

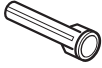
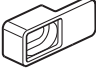
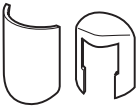
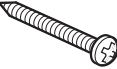

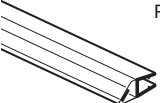




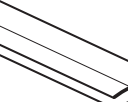



Drill, 6.5mm Masonry Bit, 4.5mm & 3mm Metal Bits (general), Crosshead Screwdriver, 16mm Spanner, Spirit Level, Pencil, Tape Measure, Masking Tape, Silicone Sealant.

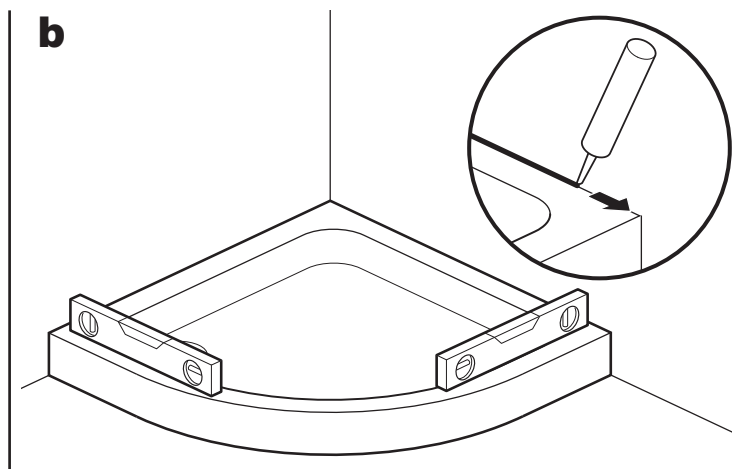
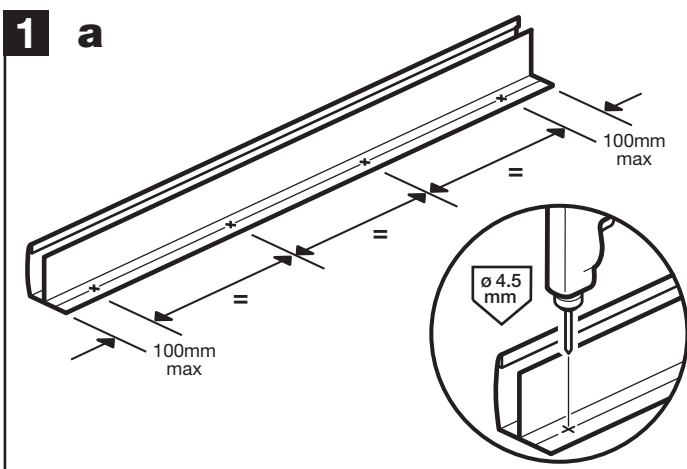
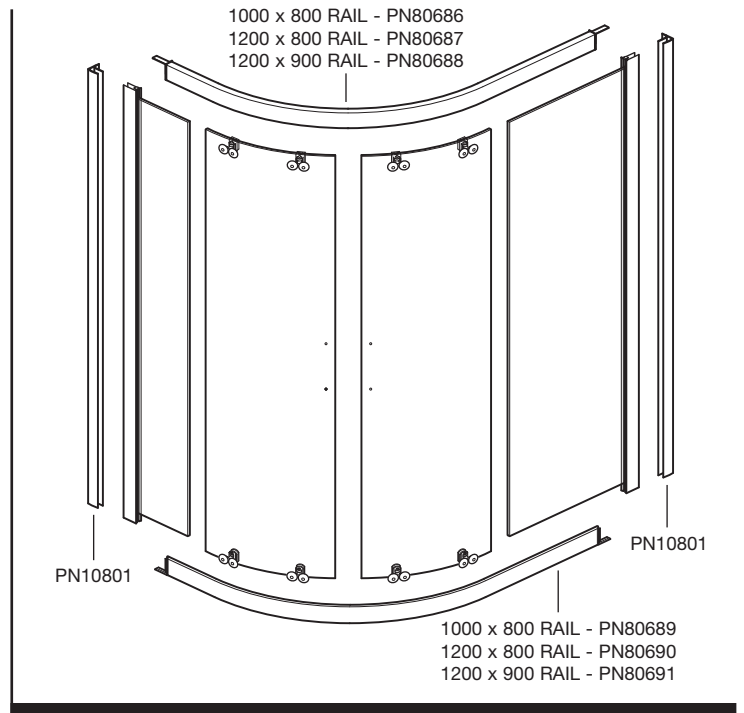
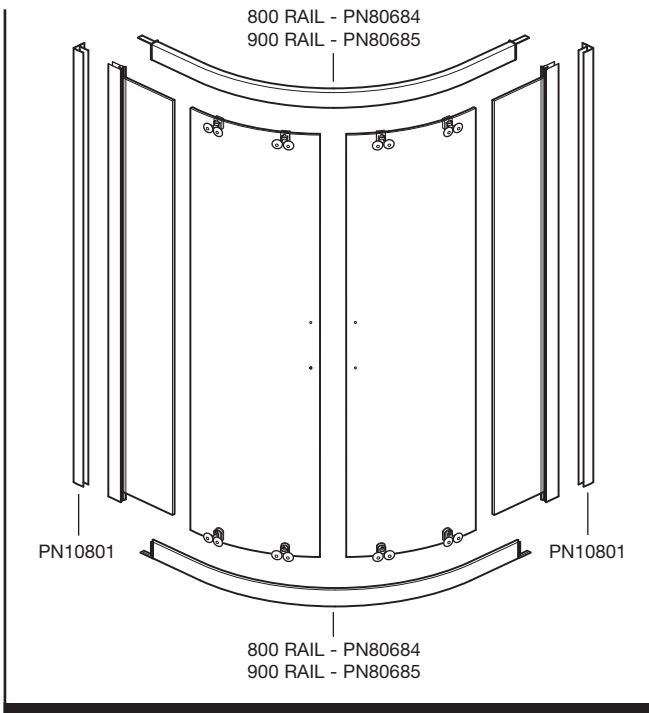
Note: The screws and wall plugs supplied are for masonry walls. For lightweight walls i.e. stud partition, plasterboard etc, use the correct type of fixings.

CUSTOMER CARELINE 01746 713410

Check contents of pack before installation. If anything is missing, contact our Customer Careline for assistance.

CUSTOMER CARELINE: 01746 713410

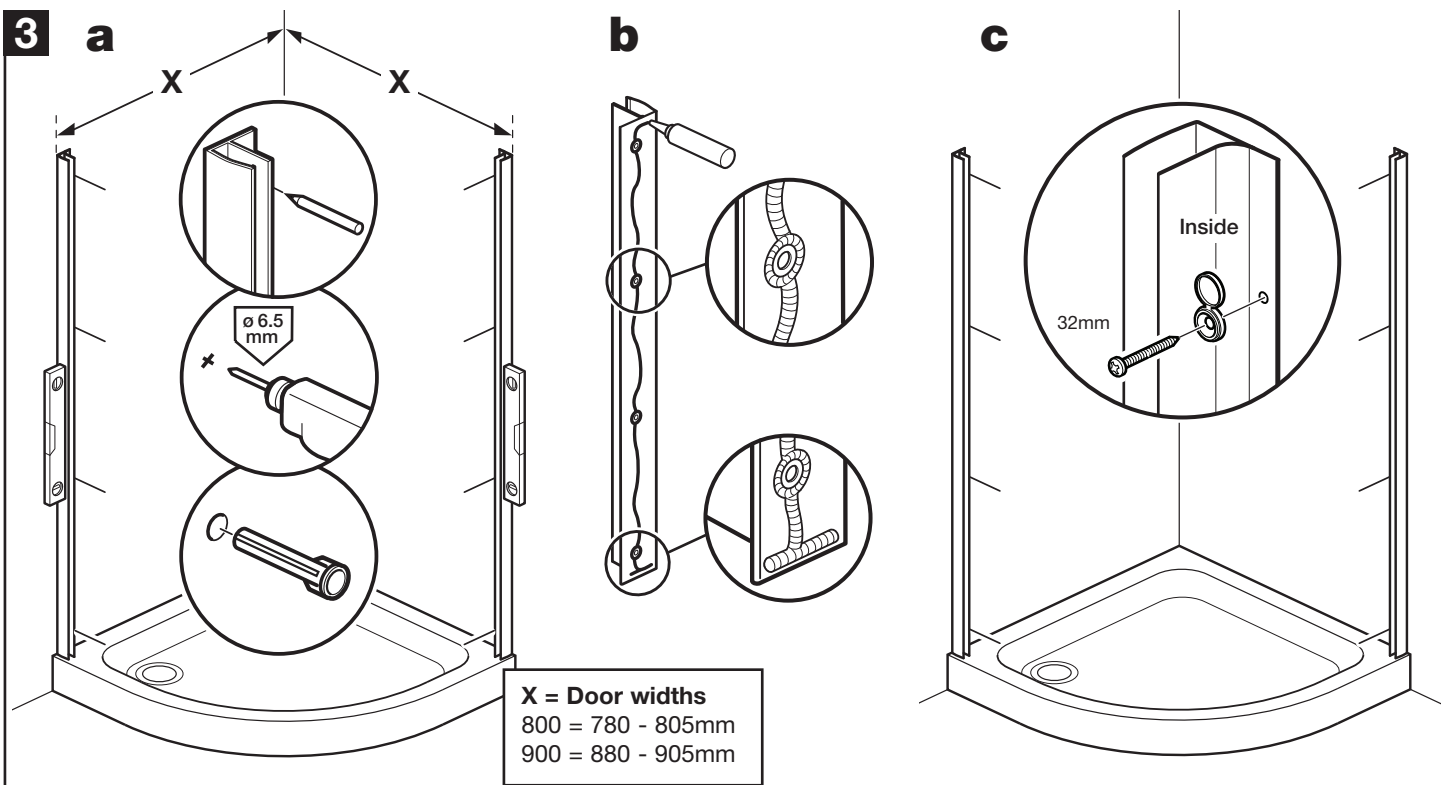
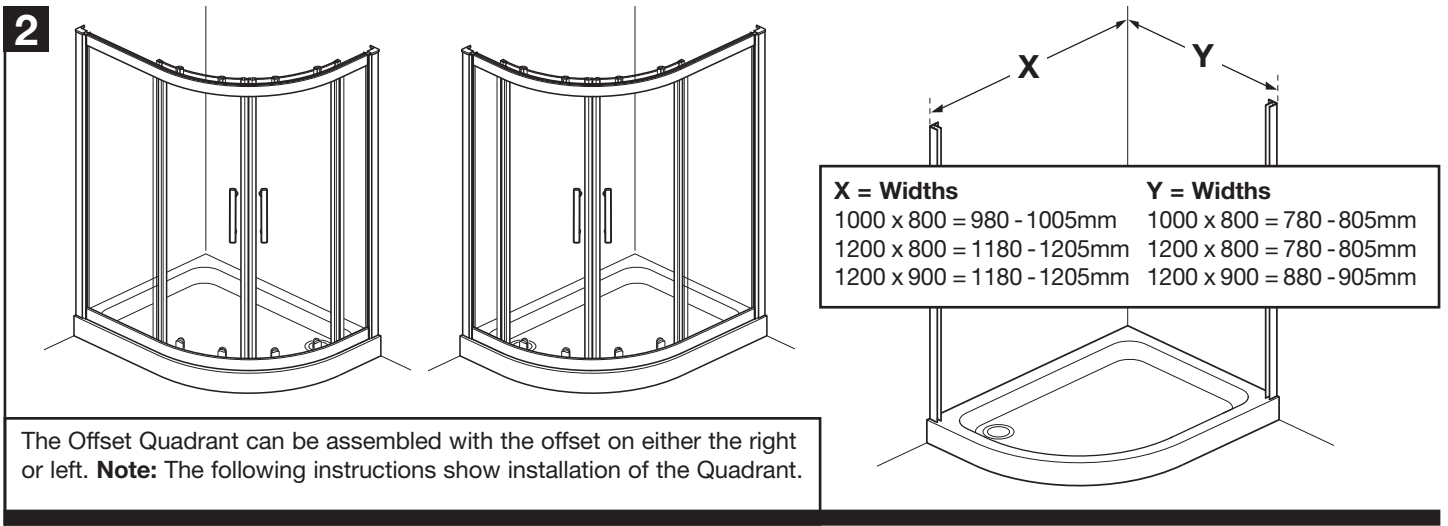
	PN3230	8		PN50490	4		Inner & Outer wheel covers	8/4	800 x 800 = PN40338	4
	PN3225	8		PN50488	4		PN80564	1/1	900 x 900 = PN40340	4
	32mm PN60524	10		PN60510	2		Short seal	2	1000 x 800 = PN40344 + PN40338	2
	10mm PN4748	14			2		Long seal	2	1200 x 800 = PN40349 + PN40388	2
							PN40335	2	1200 x 900 = PN40349 + PN40340	2
							PN50493 PN50494	1/1		



a: Drill holes in both wall channels at points shown using a 4.5mm drill bit, where shown.

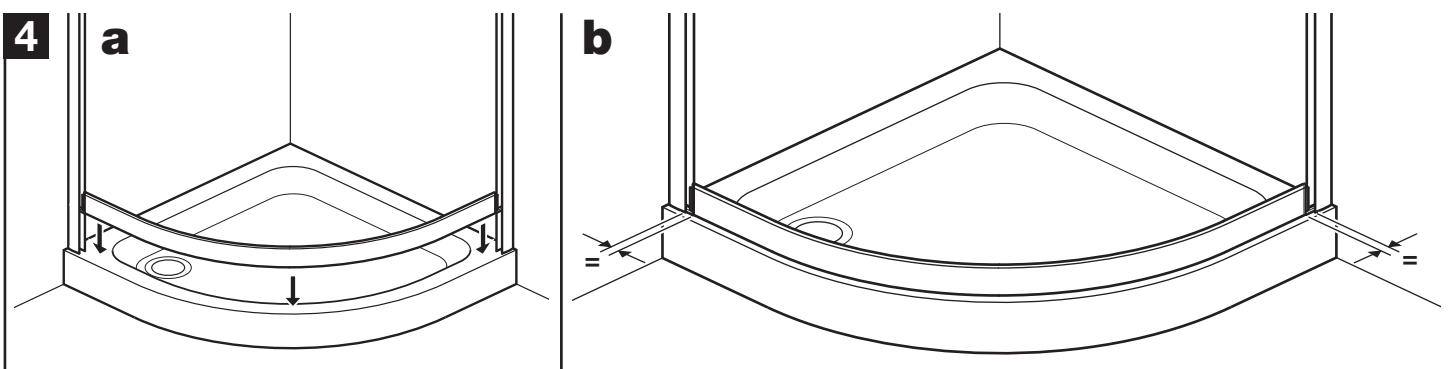
b: Ensure the shower tray is level in all directions.

IMPORTANT: Clean the tray and seal the gap between the tray surface and tiles. It is important that the tray is sealed right up to the tray edge so that the bottom of the wall channel is sealed. Failure to do this will cause water to leak under the wall channel and between the tray and tiles, resulting in damp patches on the wall and under the tray.



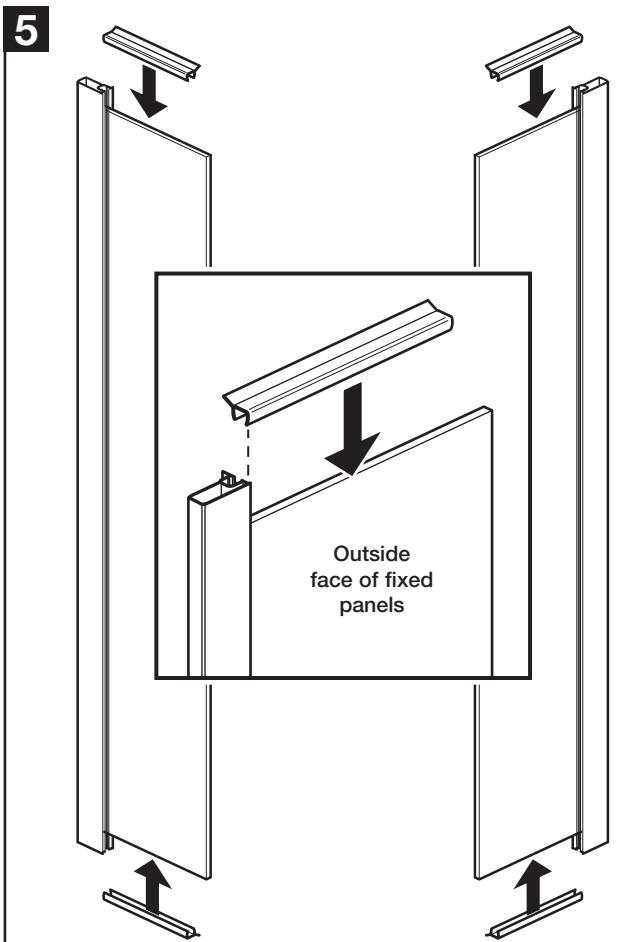
a: Place the wall channels on the tray ensuring they are vertical and an equal distance back from the front of the tray. Place masking tape against the wall before marking drill hole positions, this will help prevent the drill bit slipping. Drill 6.5mm holes, 30mm deep and insert the wall plugs.

b: Apply sealant to the back of the wall channels. **c:** Fix the wall channels to the walls using 8 x 32mm screws and screw caps.

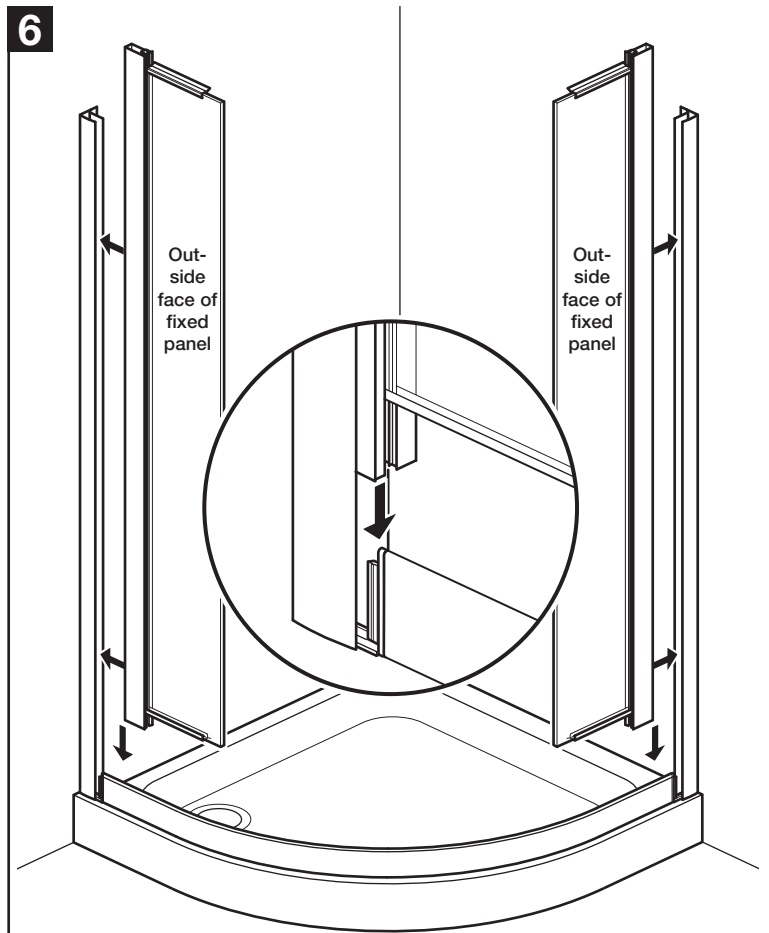


a: Place the bottom rail onto the tray with its end mouldings inserted into the wall channels.

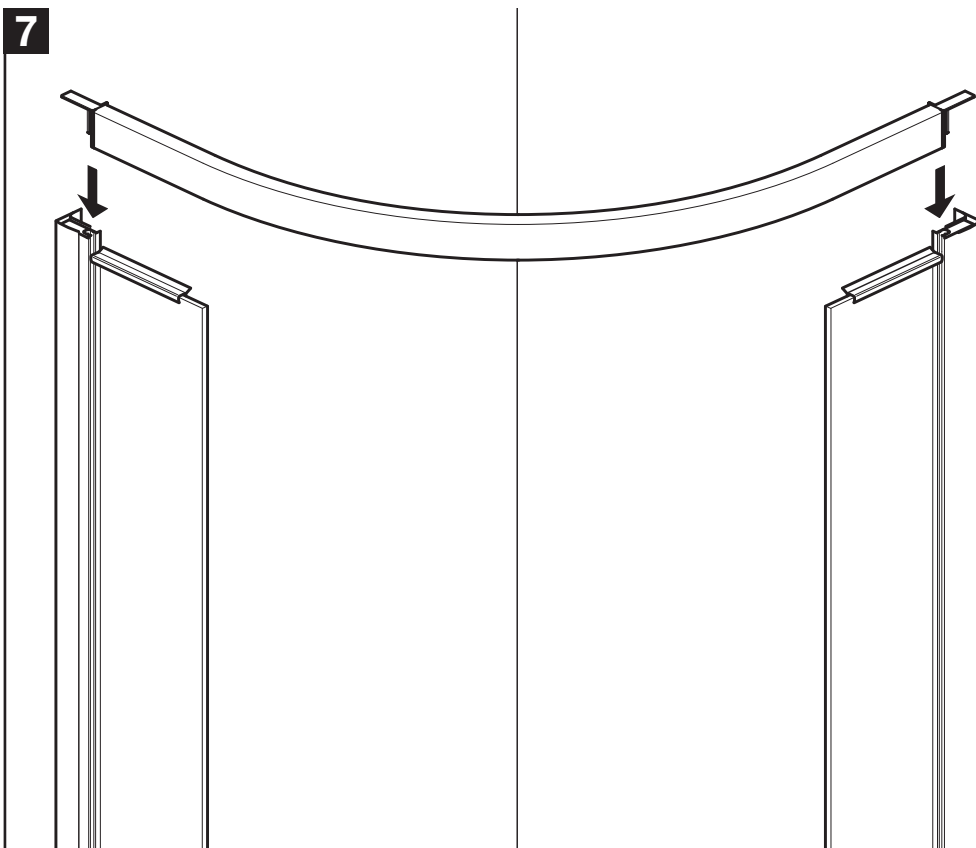
b: Centre the bottom rail between the wall channels so that there is an equal gap at each end.



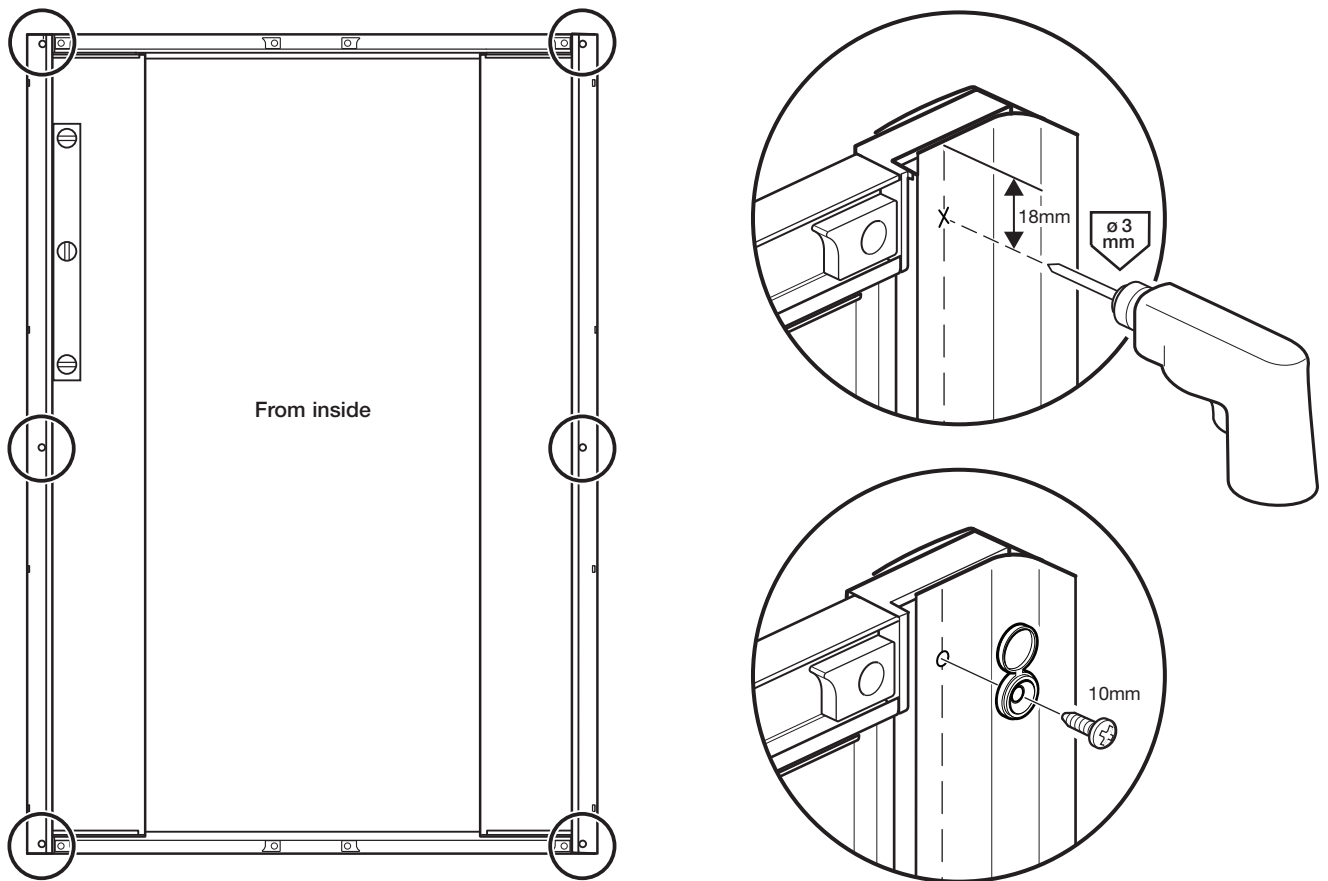
Push fit the 'flipper seals' onto the top and bottom edges of both fixed panels - flush against the metal profile. **Ensure the flipper seal 'flaps' are on the inside of the fixed panels.**
Note: Wetting the glass with water will help fit the seals.



Position the fixed panels into the wall channels and slide down so that they fully slot onto the end mouldings of the bottom rail.



Position the top rail onto the top of the fixed panels/wall channels. Ensure the top rail is fully pushed down.

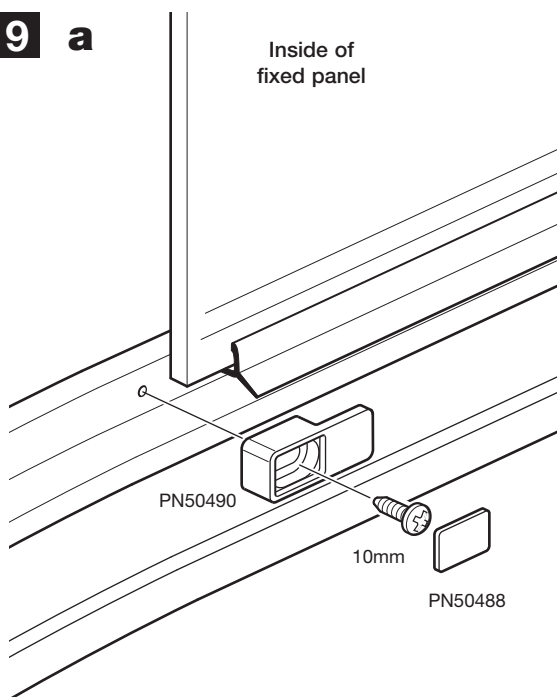
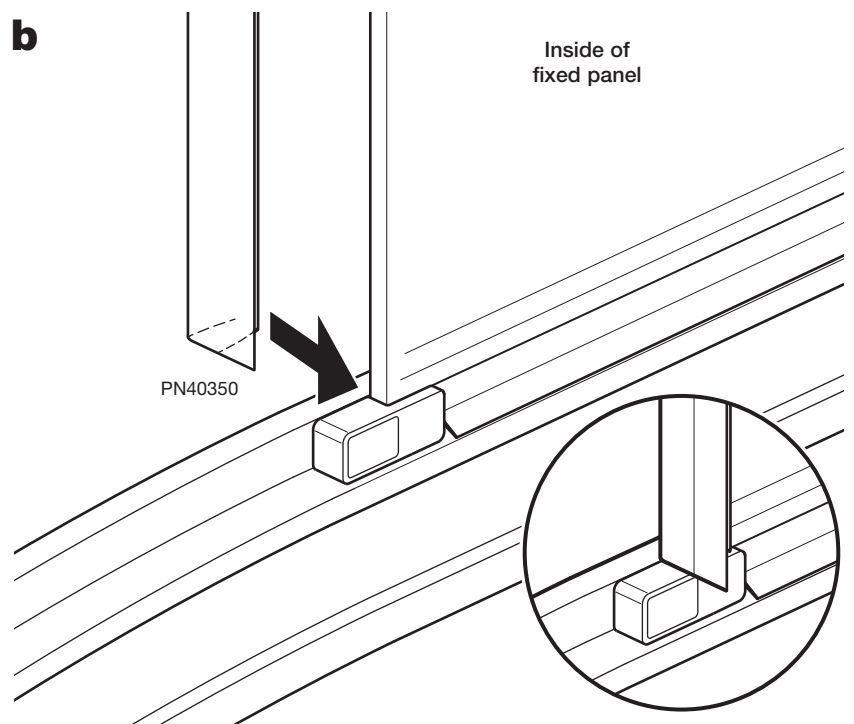
8

Check the door frame is vertical and is centrally positioned between the wall channels.

From inside the enclosure, in the 6 positions shown, drill through the wall channels into the fixed panels.

Important: The top holes MUST be 18mm down from the top. Drill using a 3mm drill bit.

Fix using 6 x 10mm screws and screw caps.

9 a**b**

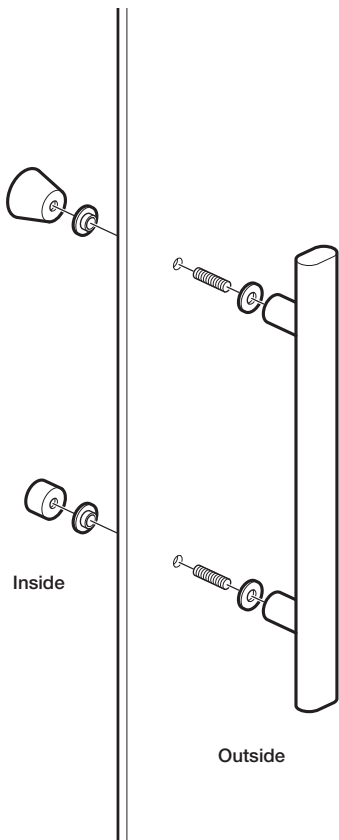
a: Attach 2 x glass clamps to each of the horizontal rails (at edge of glass) using 10mm screws, **tighten by hand only - do not overtighten**. Push fit glass clamp covers.

b: Select the short vertical seals (PN40350), fit the seals to both fixed panels.

Important: Seals must sit tight against glass clamps (top and bottom).

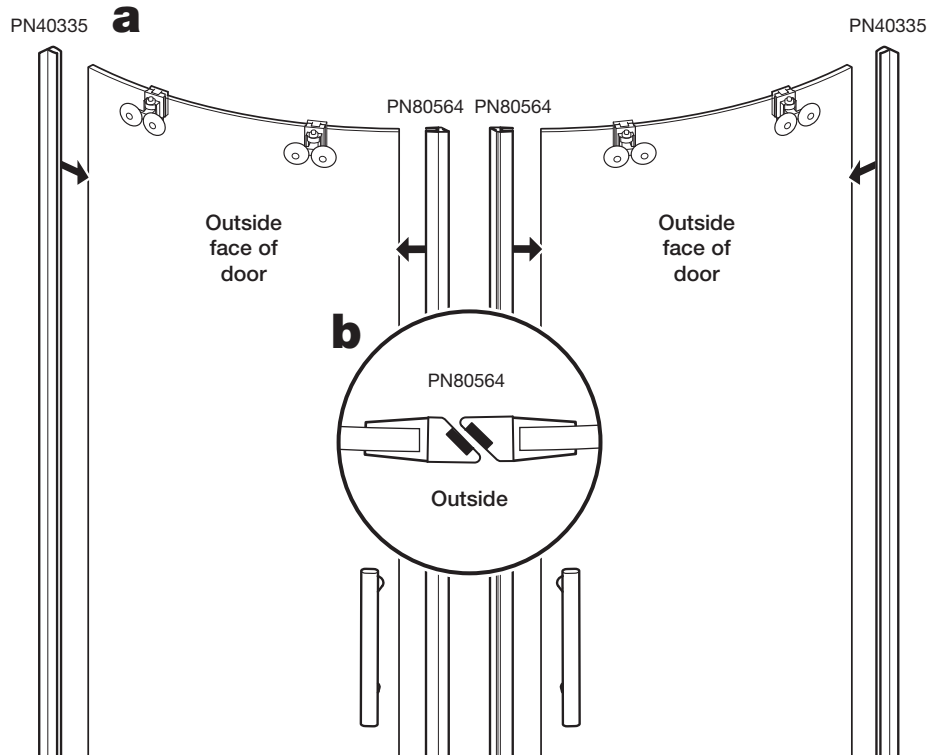
Important: Seal 'flippers' must be on inside of the enclosure. **Note:** Wetting the glass with water will help fit the seals.

10



Fit the door handles (PN60510) to the door ensuring the washers fit between the glass and handle.

11



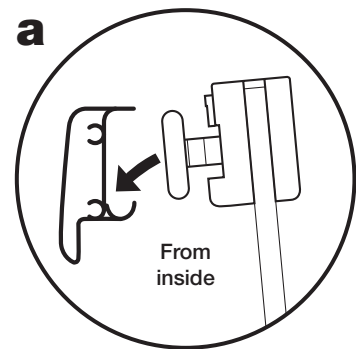
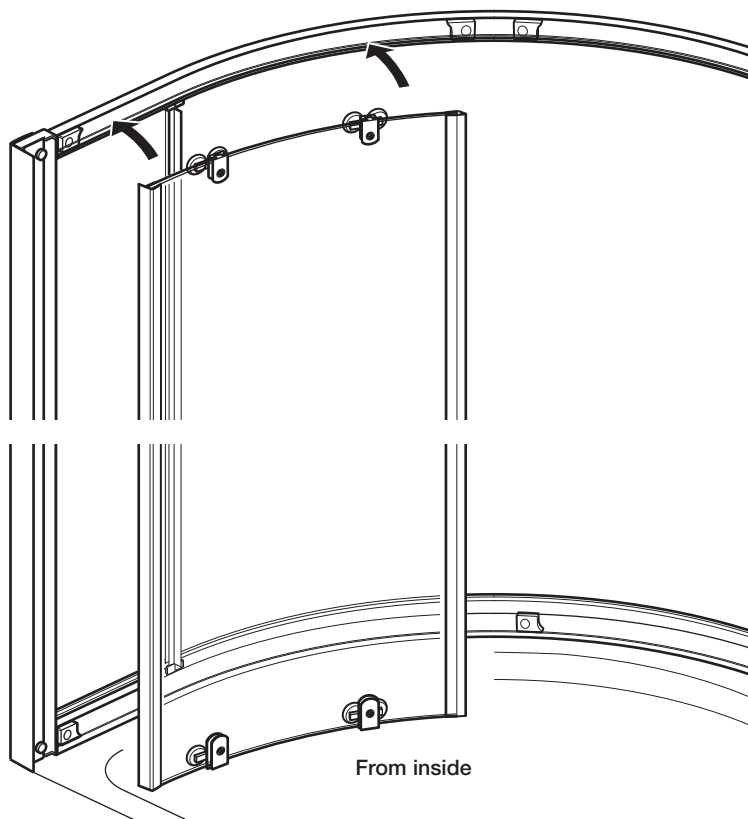
a: Select the long vertical seals (PN40335), fit the seals onto the back edge of the doors. **Ensure the flipper seal 'flaps' are on the outside of the doors.**

b: Push fit 'magnetic seals' (PN80564) onto the closing edge of the doors (**the same side as door handle**).

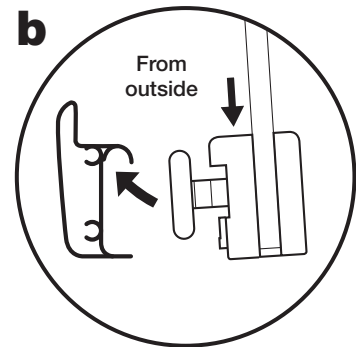
Note: Ensure the magnetic seals are positioned as shown.

Note: Wetting the glass with water will help fit the seals.

12

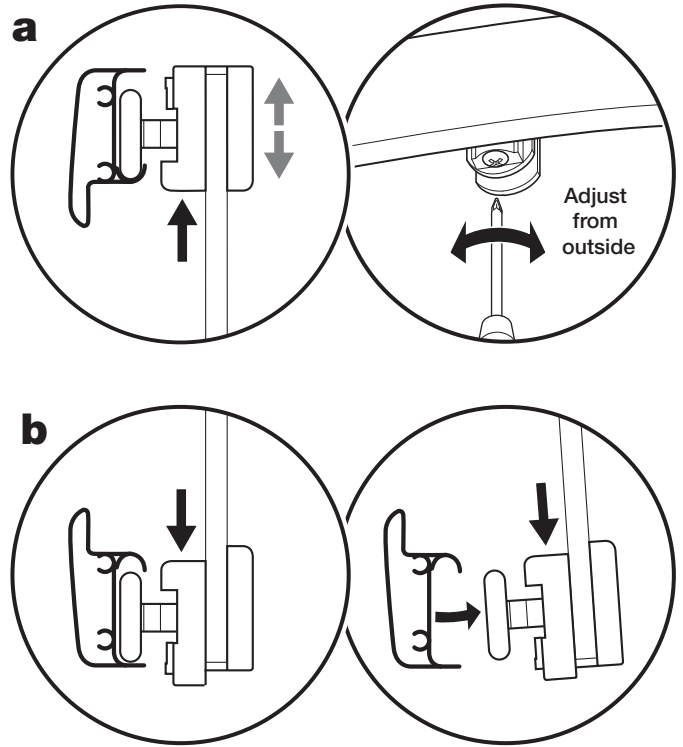
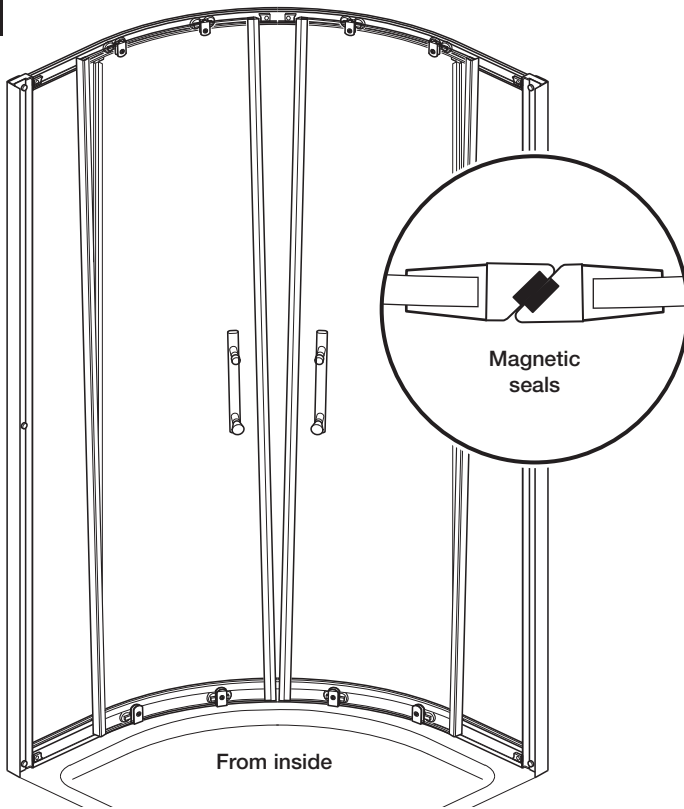


Top of doors



Bottom of doors

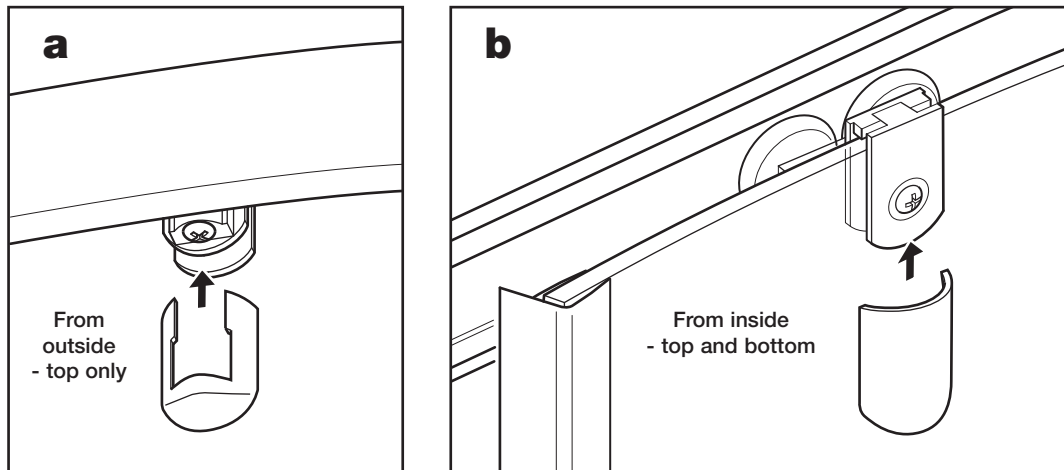
a: From inside the enclosure, position the top wheels into the top rail. **b:** From outside the enclosure with the door closed, push down the 'plungers' on both bottom wheels, position into the bottom rail and release. Repeat with other door.

13

Door adjustment: The wheels at the top of the doors may need adjusting so that the doors slide freely and the magnetic seals meet evenly when the doors are closed.

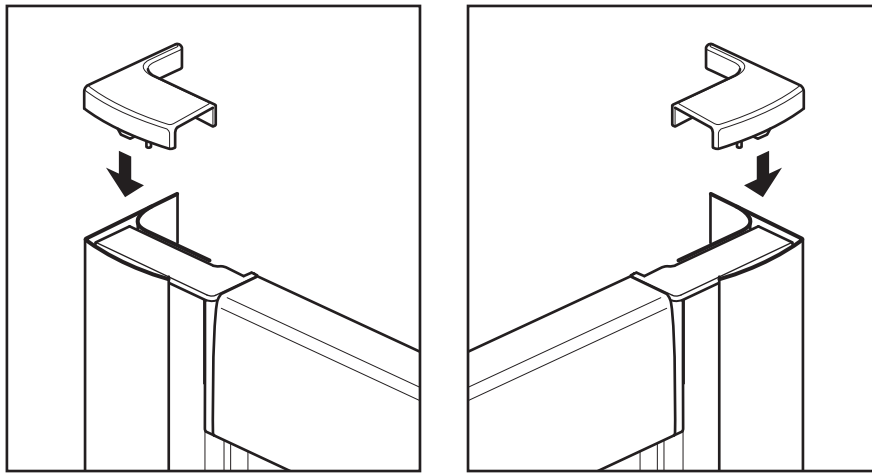
a: From outside the enclosure and with the doors closed, adjust the screws on the top wheels. The bottom wheels should be securely located in the bottom rail but the door must not be raised so high that the 'plungers' on the bottom wheels do not operate.

b: The 'plungers' on the bottom wheels can be pushed down to unclip the doors which will allow access to clean the doors and fixed panels.

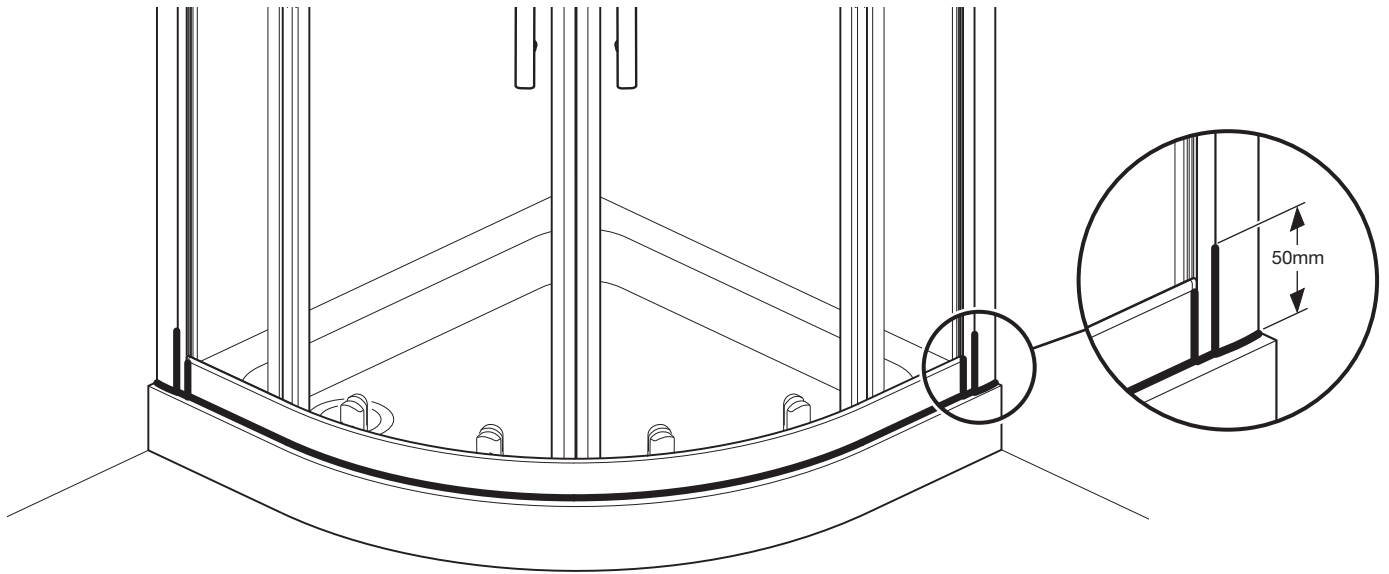
14

a: From outside the enclosure push fit the outer wheel covers onto the wheels at the top of the doors.

b: From inside the enclosure push fit the inner wheel covers onto the wheels at the top and bottom of the doors.

15

Push fit the top caps (PN50493/50494) onto the wall channels.

16

From the outside only, apply sealant to the bottom of the enclosure and 50mm up the wall channels and vertical joints as shown.

Recycling

Packaging:- The cardboard and polythene parts of this packaging can be recycled.

End of life:- This product contains materials such as aluminium and glass which can be recycled.

Please contact your local authority to find your nearest recycling centre.

IMPORTANT: You must not use the shower for 24 hours after installation of the enclosure.

DO NOT use bleach, scouring powders, solvents or other aggressive cleaning agents. To clean, use warm soapy water and a clean cloth and rinse off.

Please note: There has been a glass coating applied to this product, use a squeegee to remove water and debris.

Periodically check all fixings and tighten if necessary.

CORAM SHOWERS LTD

Stanmore Industrial Estate, Bridgnorth, Shropshire WV15 5HP, UK • Tel: 01746 766466 • Fax: 01746 764140 • www.coram.co.uk