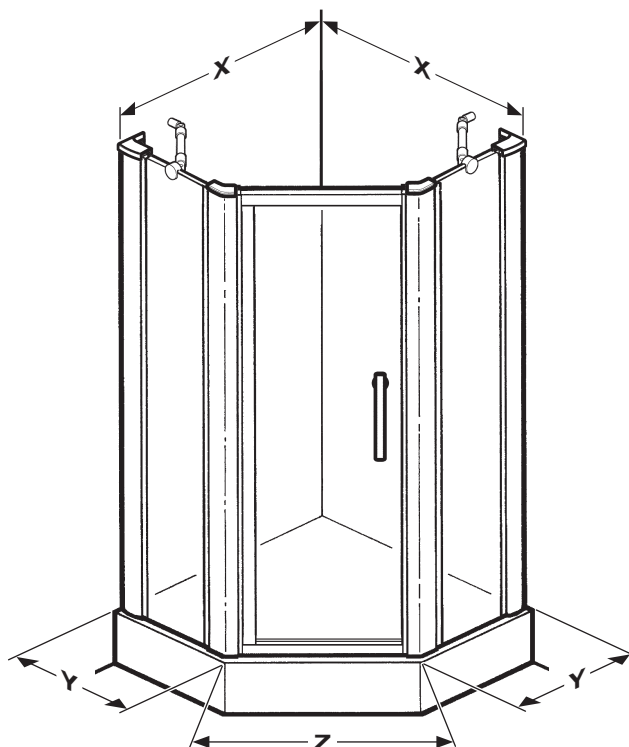


# OPTIMA PENTAGON SHOWER ENCLOSURE



## DIMENSIONS

Check the enclosure size in the table below matches the showertray installation.

**X** = 861 - 907mm

**Y** = 360 - 385mm

**Z** = 709 - 739mm (using a 760 door)

**Please read these instructions carefully and keep for future reference.  
Incorrect fitting will invalidate the guarantee.**

## SAFETY

- Handle glass with great care. Although the glass is very tough, sharp impacts can damage both the glass and metal frame.
- Make sure there are no hidden pipes or cables hidden in the wall where you intend to drill.
- Wear safety goggles, shoes and appropriate clothing.

## BEFORE INSTALLATION

- Check that the shower tray is level in all directions. The enclosure will not sit correctly on an uneven surface. If uneven, the wall channels may not fit and the doors may not shut correctly.
- The enclosure should be fitted on tiled walls which are sealed with waterproof grout.
- There must be a good silicone seal between the rim of the shower tray and the wall.
- The shower tray and the enclosure must match in size. Attempting to fit the incorrect size of enclosure to the shower tray will result in water leaks.
- Always check very carefully that components are vertical.

### Equipment needed:

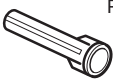









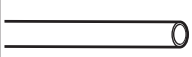
Drill, 6.5mm Masonry Bit, 4.5mm & 3mm Metal Bits (general), Crosshead Screwdriver, Flatblade Screwdriver, Spirit Level, Pencil, Tape Measure, Masking Tape, Silicone Sealant.

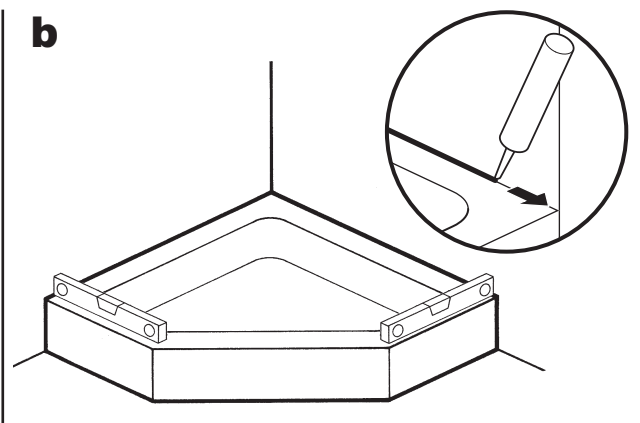
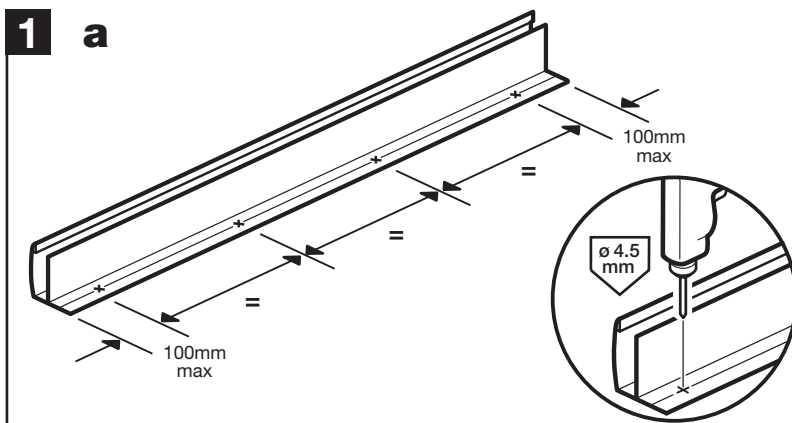
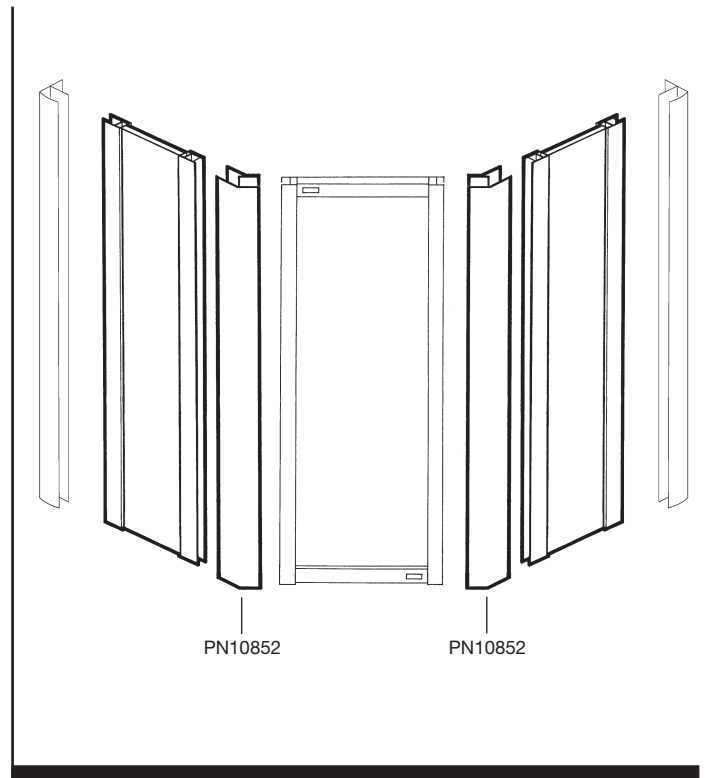
**Note:** The screws and wall plugs supplied are for masonry walls. For lightweight walls i.e. stud partition, plasterboard etc, use the correct type of fixings.

**CUSTOMER CARELINE 01746 713410**

Check contents of pack before installation. If anything is missing, contact our Customer Careline for assistance.

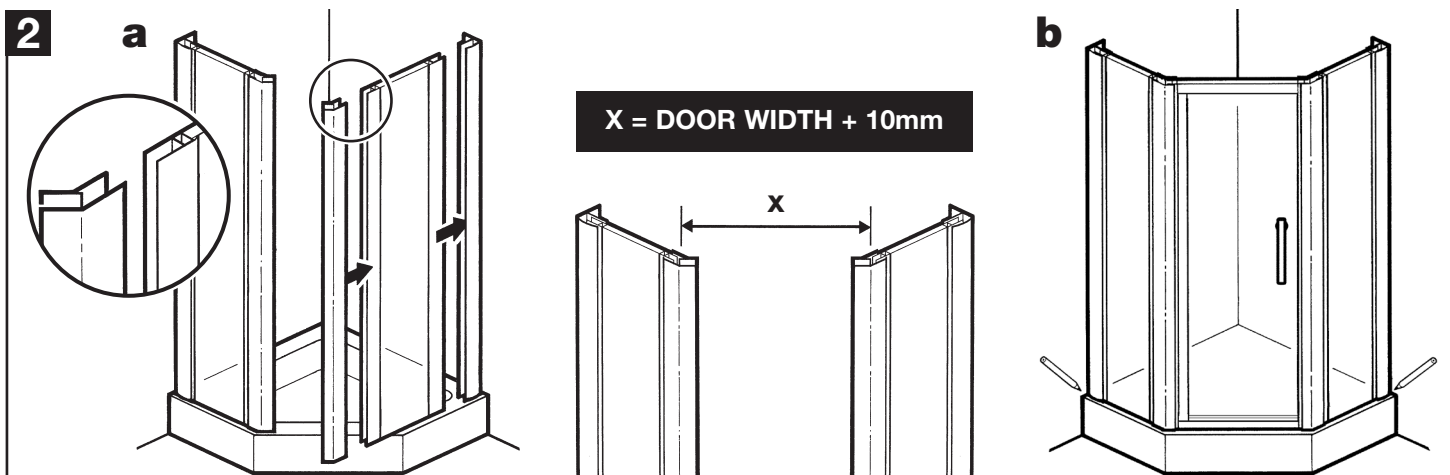
**CUSTOMER CARELINE: 01746 713410**

	PN3230	2		PN80524	2
	PN3225 32mm	2		PN80499	2
	PN3222 10mm	12		PN50599 PN50500	1/1
	PN4748	12		PN50503 PN50504	2/2
	PN4745	2		PN60418	1
	PN10886	2			



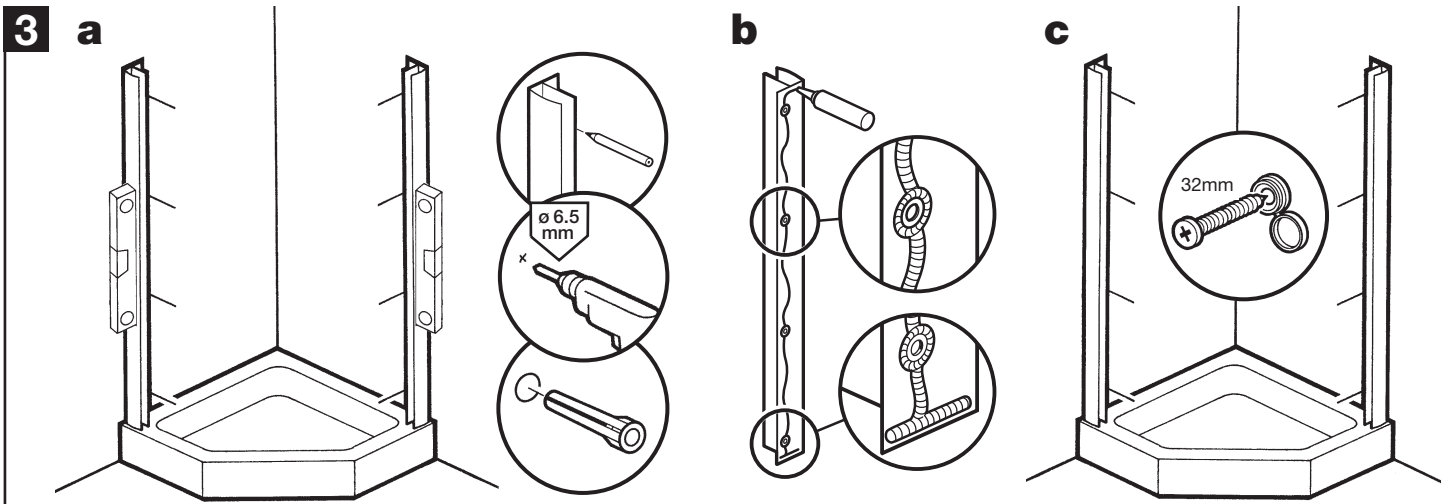
**a:** Drill holes in both wall channels at points shown using a 4.5mm drill bit, where shown.

**b:** Ensure the shower tray is level in all directions. **IMPORTANT:** Clean the tray and seal the gap between the tray surface and tiles. It is important that the tray is sealed right up to the tray edge so that the bottom of the wall channel is sealed. Failure to do this will cause water to leak under the wall channel and between the tray and tiles, resulting in damp patches on the wall and under the tray.



**a:** Trial the whole enclosure on the tray to get the best fit, ensure the corner posts are the correct way round.

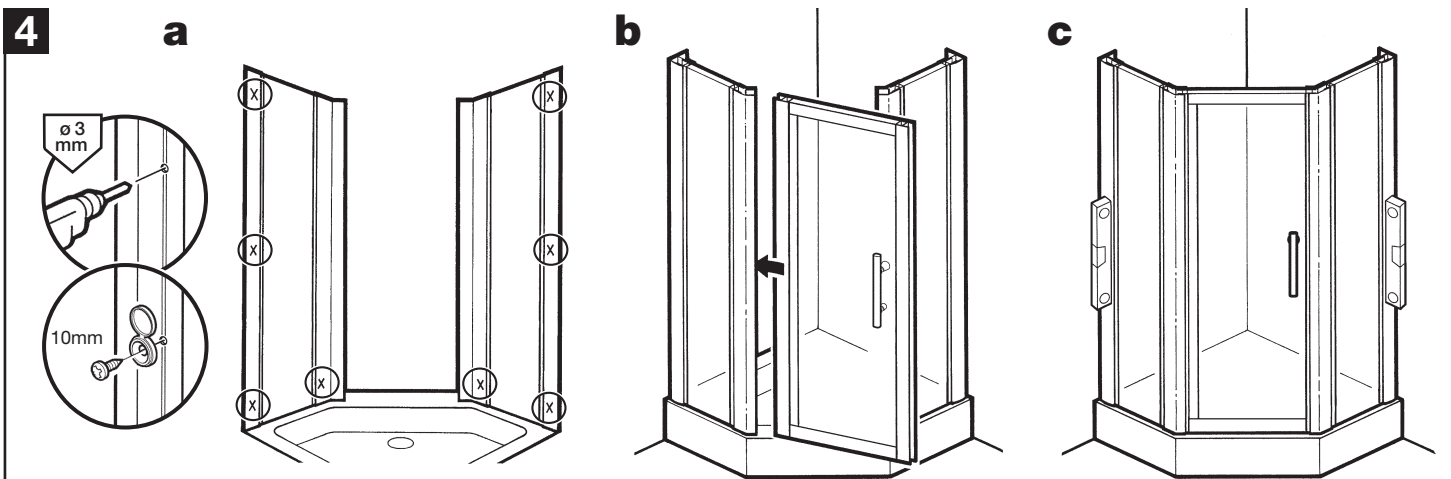
**b:** When you are happy with the position of the enclosure, mark the positions of the wall channels onto the wall and remove the enclosure from the tray.



**a:** Place wall channels on the tray and against the wall in the positions marked and ensuring they are vertical. Place masking tape against the wall before marking drill hole positions, this will help prevent the drill bit slipping. Drill 6.5mm holes, 30mm deep and insert the wall plugs.

**b:** Apply sealant to the back of the wall channels.

**c:** Fix the wall channels to the wall using 8 x 32mm screws and screw caps.

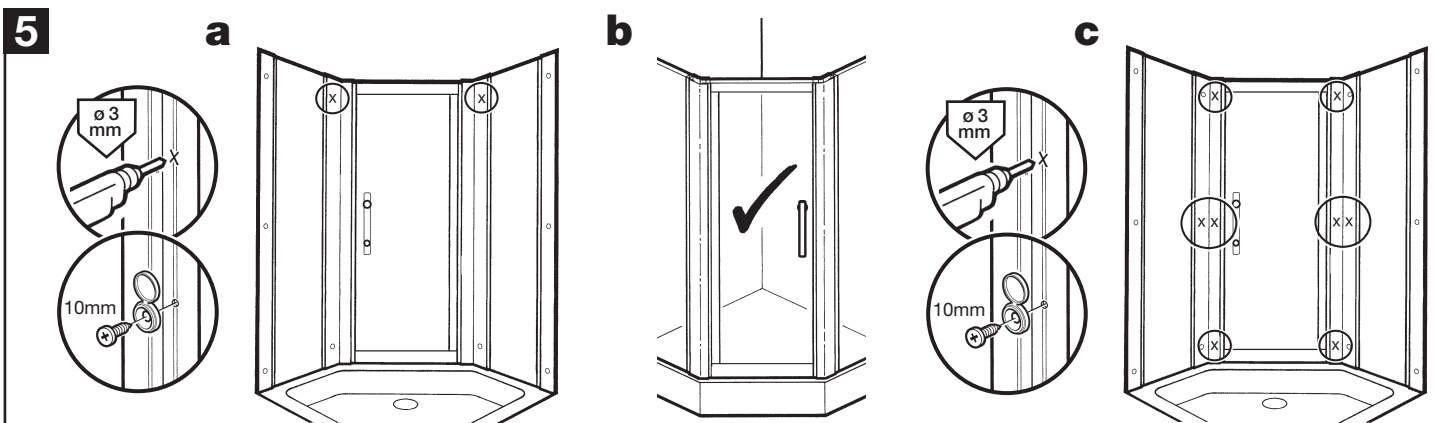


**a:** Insert the side panels into wall channels and place the corner posts on to the side panels as shown.

Allow space for the door (as shown in step 2). Drill inside the wall channels and corner posts using a 3mm drill bit only in the positions shown. Do not drill too deep. Fix using 10mm screws and screw caps.

**b:** Insert your door into the corner posts.

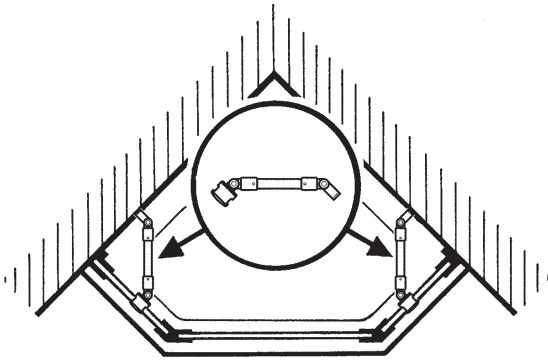
**c:** Check enclosure is perfectly vertical and door frame is not twisted.



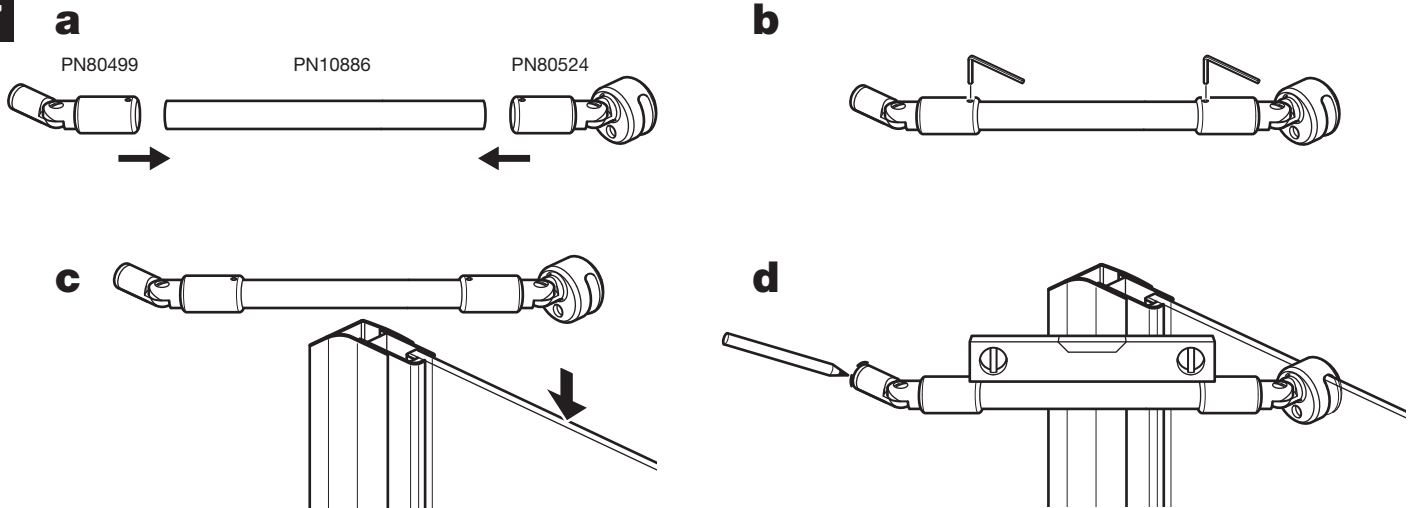
**a:** Drill holes in the corner posts in the positions shown using a 3mm drill bit and fix using 10mm screws and screw caps.

**b:** Check the door is straight and perfectly vertical (see door instructions).

**c:** Drill the remaining holes in corner posts using a 3mm drill bit and fix using 10mm screws and screw caps.

**6**

Only fit the wall brackets in the positions shown (plan view of the enclosure).

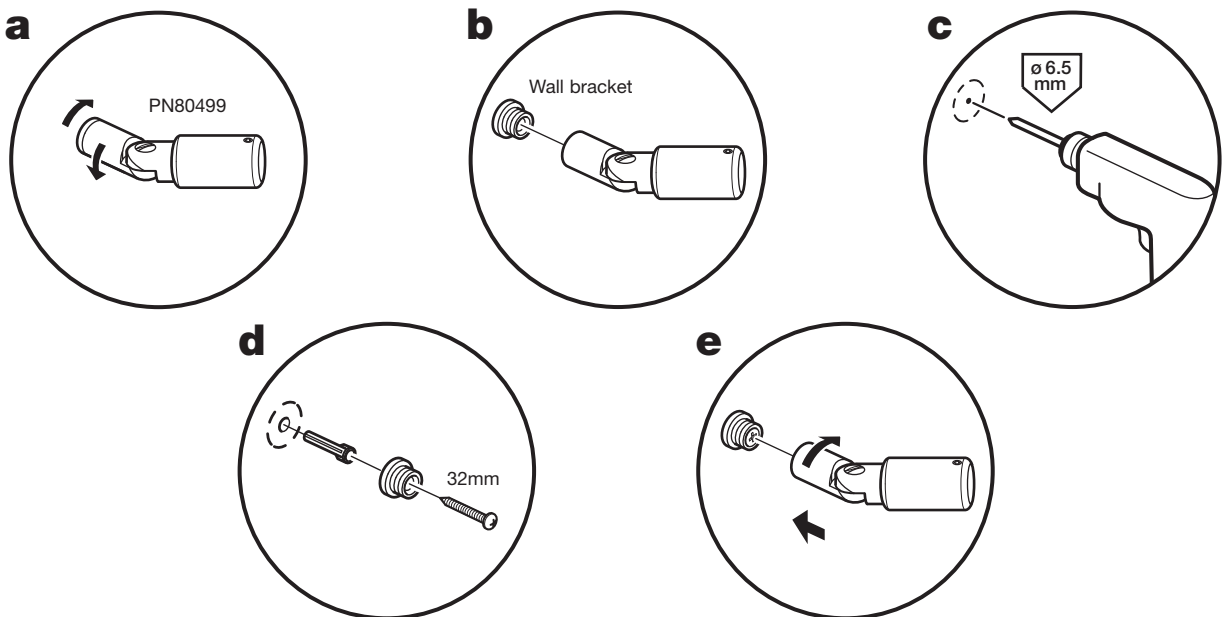
**7**

**a:** Insert both 'pivot brackets' (PN80499 & PN80524) onto the strut tube (PN10886). **Note:** The strut tube may need trimming to length to suit your requirements.

**b:** Tighten both 'pivot bracket' grub screws onto the strut tube. **IMPORTANT:** Ensure the pivot brackets 'pivot' horizontally.

**c:** Position the strut assembly onto the panel and against the wall.

**d:** Ensure the strut is level and mark the position of the wall pivot onto the wall. Remove the strut from the panel.

**8**

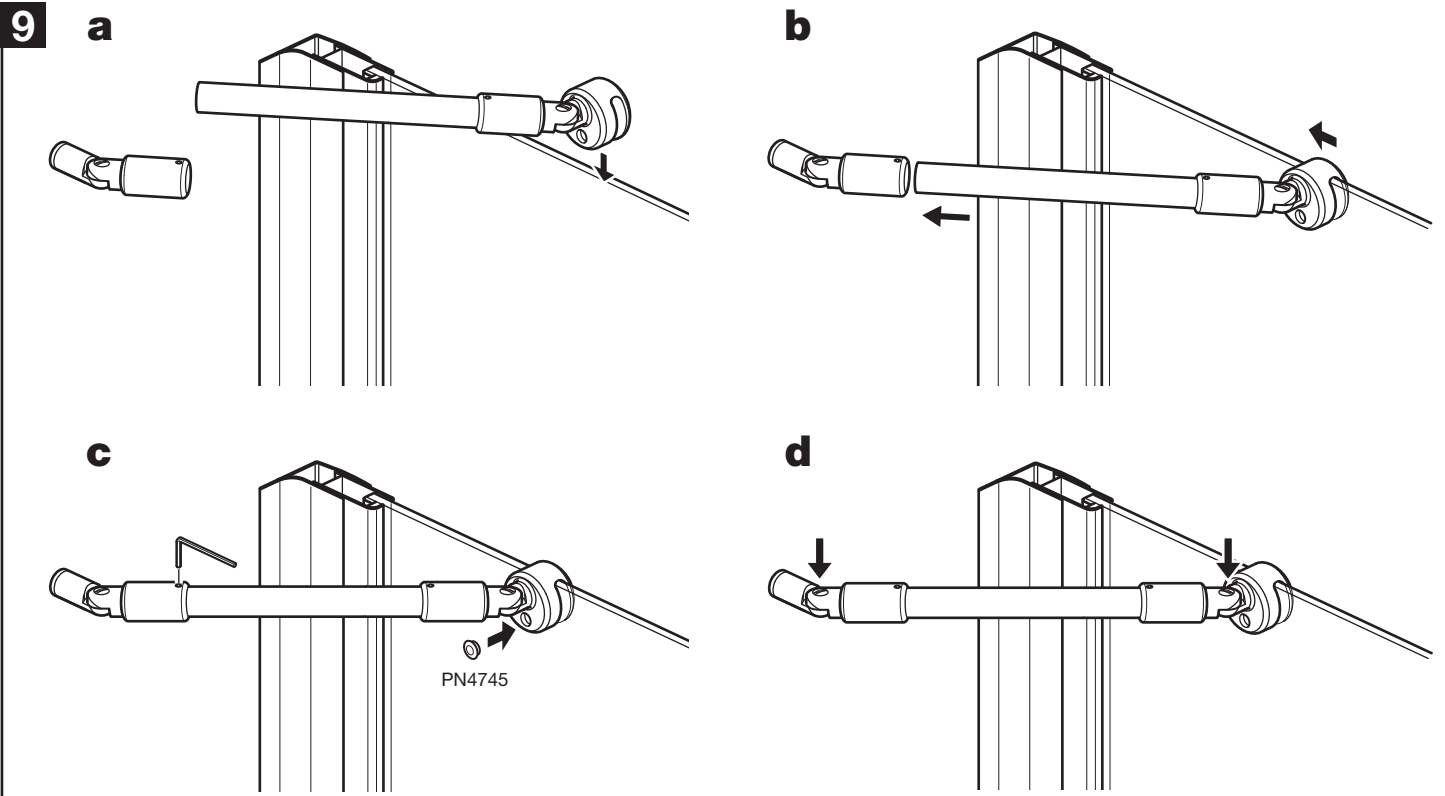
**a:** Remove the wall pivot from the strut.

**b:** Unscrew and remove the wall bracket from the end of the wall pivot.

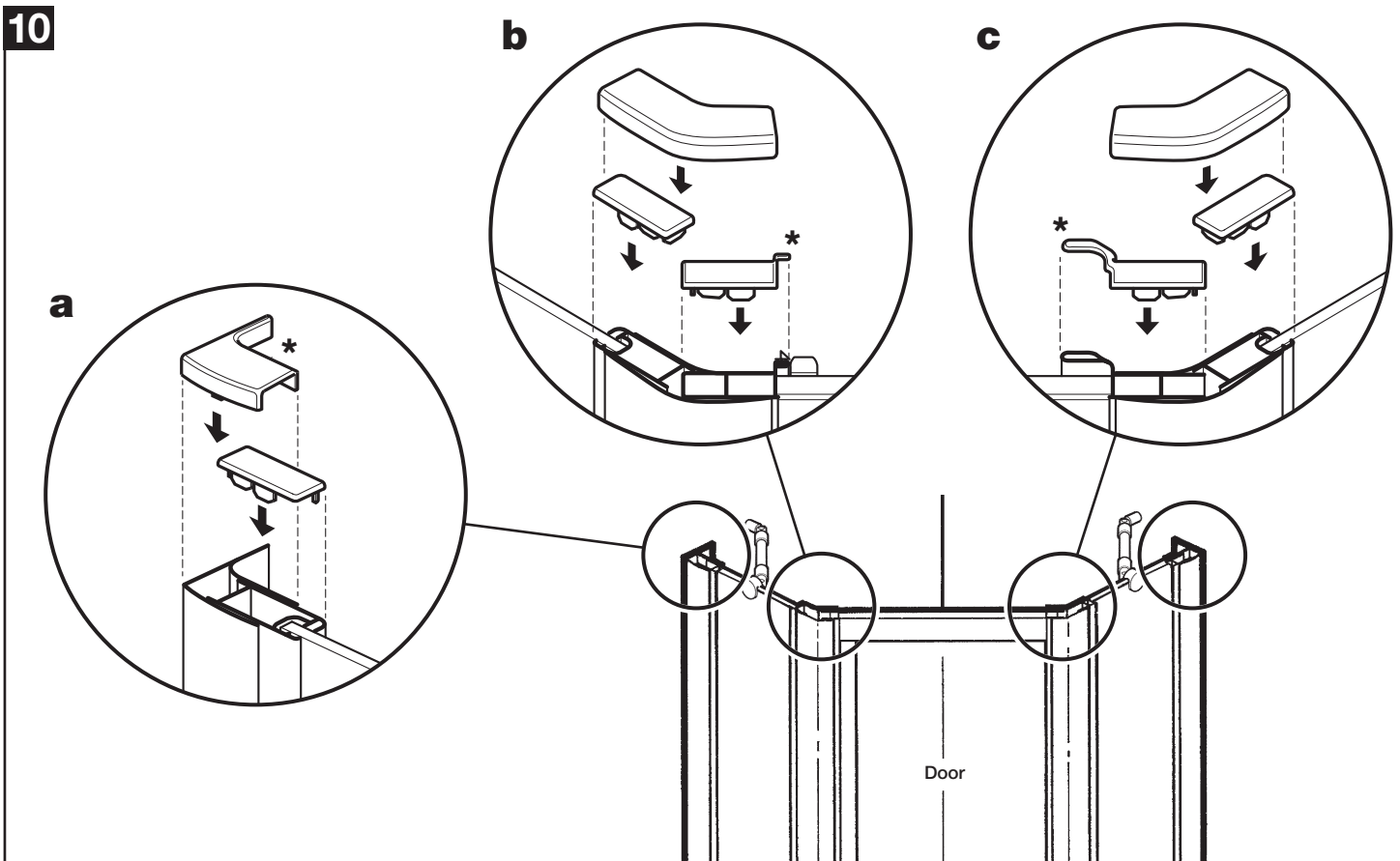
**c:** Drill a 6.5mm hole 30mm deep in the middle of the position marked on the wall.

**d:** Push fit a wall plug and attach the wall bracket to the wall using a 32mm screw.

**e:** Screw the wall pivot onto the wall bracket. **IMPORTANT:** The wall pivot **MUST** pivot horizontally, if it does not, loosen and slightly rotate the wall bracket refit the wall pivot and check again.

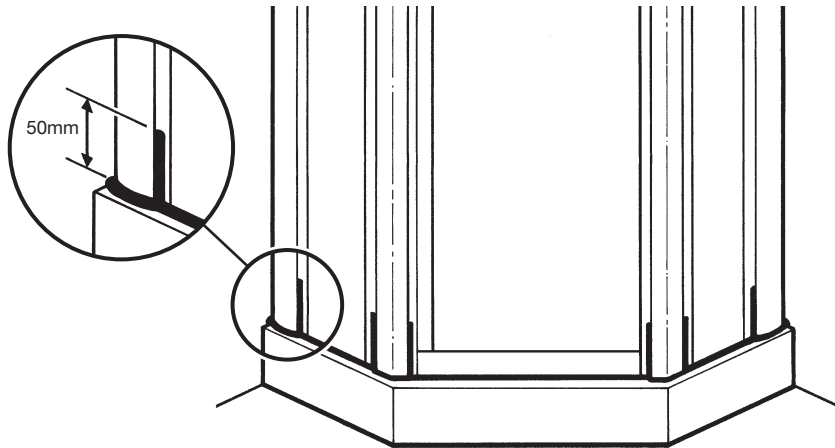


- a:** Position the strut/panel pivot onto the panel.
- b:** Slide the panel pivot along the panel and fully insert into the wall pivot.
- c:** Tighten the wall pivot grub screw onto the strut. Tighten the panel pivot grub screw onto the panel using a flatblade screwdriver and push fit the cover cap (PN4745).
- d:** Tighten the pivot screws using a flatblade screwdriver.



- Push-fit the top caps onto the wall channels and corner posts.
- Note:** The asterisk (\*) indicates caps that are supplied with the door.

11



**From the outside only**, apply sealant to the bottom of the enclosure and 50mm up the wall channels and corner posts as shown.

### Recycling

**Packaging:-** The cardboard and polythene parts of this packaging can be recycled.

**End of life:-** This product contains materials such as aluminium and glass which can be recycled.

Please contact your local authority to find your nearest recycling centre.

**IMPORTANT:** You must not use the shower for 24 hours after installation of the enclosure.

**DO NOT** use bleach, scouring powders, solvents or other aggressive cleaning agents. To clean, use warm soapy water and a clean cloth and rinse off.

**Please note:** There has been a glass coating applied to this product, use a squeegee to remove water and debris.

Periodically check all fixings and tighten if necessary.

### CORAM SHOWERS LTD

Stanmore Industrial Estate, Bridgnorth, Shropshire WV15 5HP, UK • Tel: 01746 766466 • Fax: 01746 764140 • www.coram.co.uk