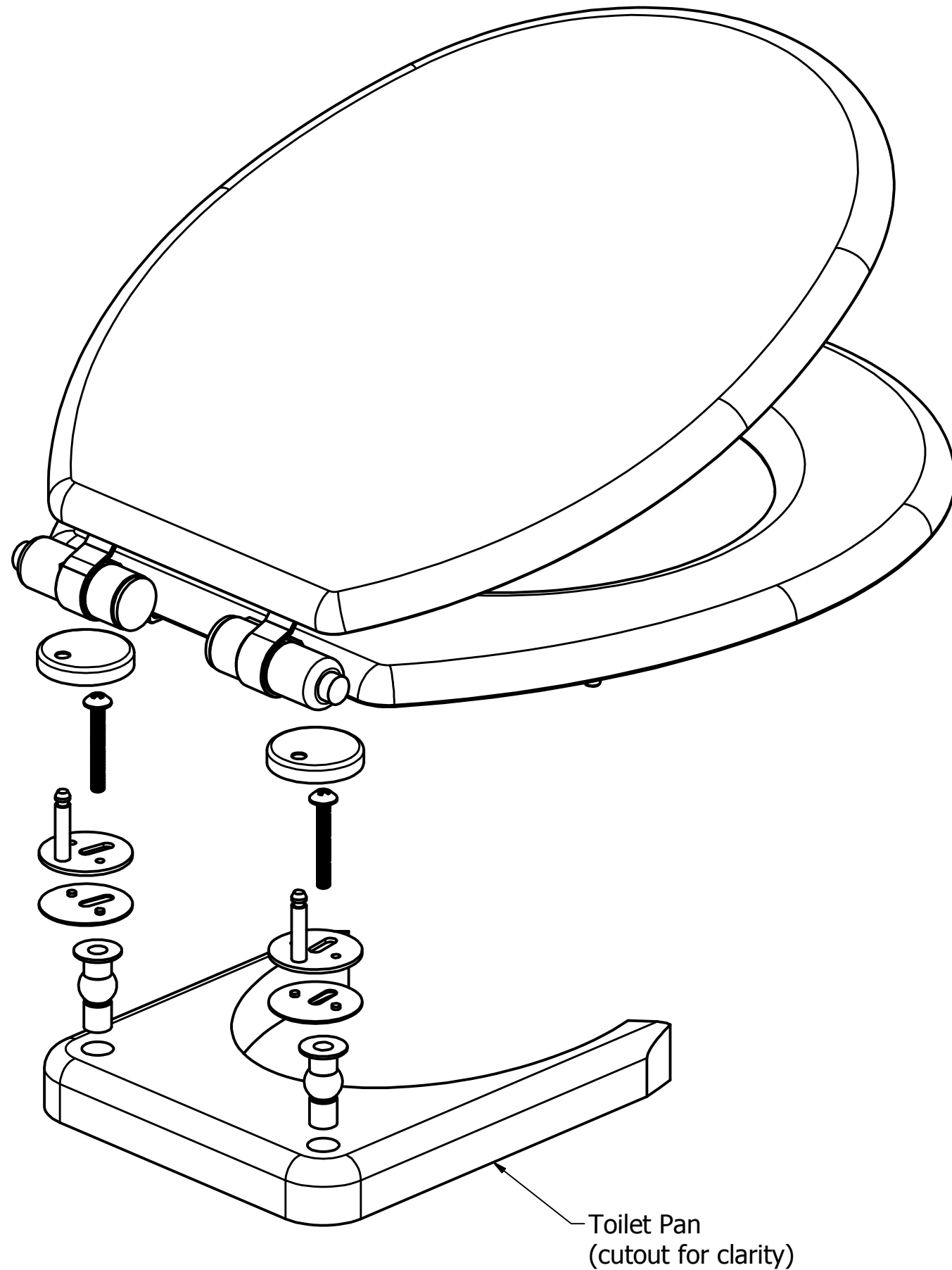


Chatsworth seat assembly guide



1. Place the expanding bush in the holes in the pan.
2. Place the rubber seating washer and the hinge plate over the top of the expanding bush ensuring you can see the hole in the expanding bush through the hinge plate.
3. Place the bolt through the hinge plate and into the expanding bush and loosely tighten.
4. Line the hinge pins up with the hinge pin holes in the toilet seat and clip the toilet seat on.
5. Adjust the toilet seat to fit the pan.
6. Without moving the hinge pins, remove the toilet seat and tighten the bolts fully.
7. Double check that the toilet seat fits the pan by redoing steps 4, 5 and 6, then place the the hinge cover plates over the hinge plates and replace the seat.

