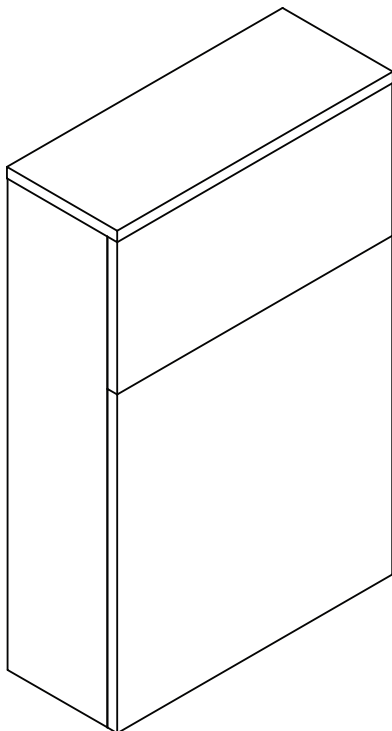


# CHATSWORTH

## WC Unit



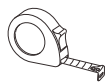
## Fitting Instructions

Please follow them carefully and  
leave this manual with end user

### Tools Required (Not Included):



Drill



Tape  
Measure



Spirit Level



Silicone

\*Ensure the appropriate PPE is used during installation\*

### Recycling and Disposal:

Please recycle the packaging in accordance with your local government regulations on waste handling and follow the same advice at the end of the products life.

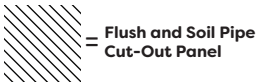
## Before you begin:

1. **We recommend that this product is installed by a qualified tradesperson**, Victorian Plumbing Ltd. accept no liability for products incorrectly installed or any damage to the floor, walls, plumbing, WC unit, or personal injury during installation.
2. Ensure the chosen cistern and toilet pan are the correct size for this unit.
3. Unpack the product then read these instructions before proceeding. Inspect the product for damage. If any damage is found, contact our Customer Relations team.

For the mounting and installation of the concealed cistern. Refer to the installation guide in conjunction with these instructions.

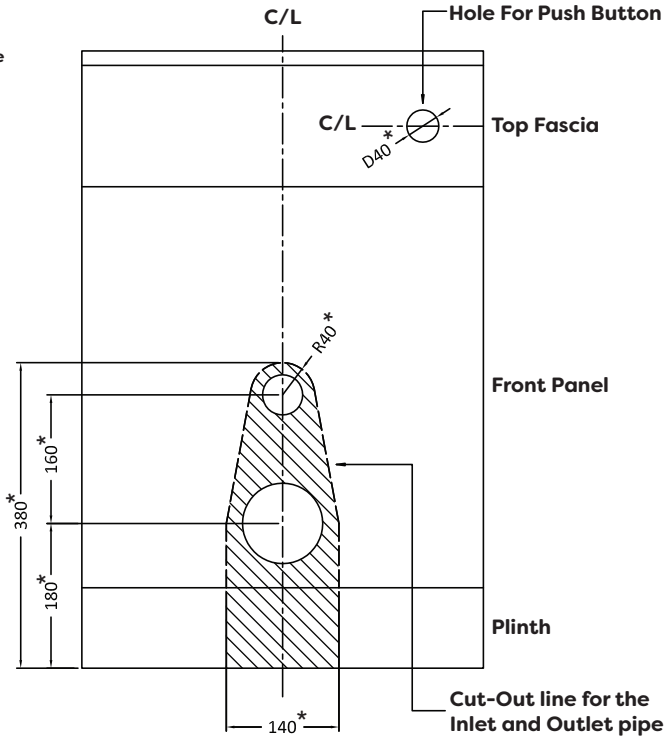


## Cut-Out Diagram



\*All Dimensions are approximate. Please refer to the dimensions of your chosen WC pan, cistern and flush button.\*

\*If you are cutting out only the holes for the flush pipe and soil pipe individually, then please refer to the measurements of the chosen pan being used in conjunction with this WC Unit.\*



Diagrams are for illustration purposes only. Your WC unit may superficially differ from this drawing however the installation guide steps still apply.

Mark out the opening on the front panel for the inlet and outlets of the WC pan. Referencing the above diagram, check the size against the pan before cutting out.

### **DO NOT CUT OUT THE BOTTOM PLINTH!**

The push button can be positioned on the front fascia left, right or central. The drawing shows a suggested position being on the right hand side. Mark the centre point in your desired position and drill a hole using the appropriately sized drill saw. Fix the button ensuring that the cable is not kinked or bent.

**ANY CUT SURFACES/EDGES NEED TO BE SEALED AGAINST WATER INGRESS.**