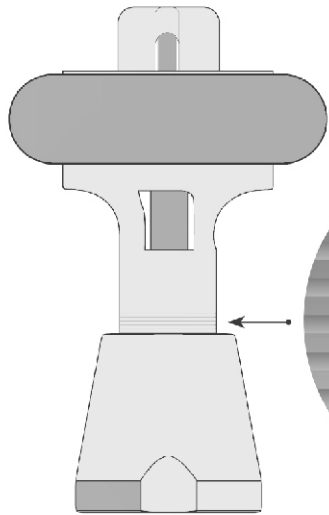


Thermostatic Radiator Valve

Installation and usage



Thermostatic head

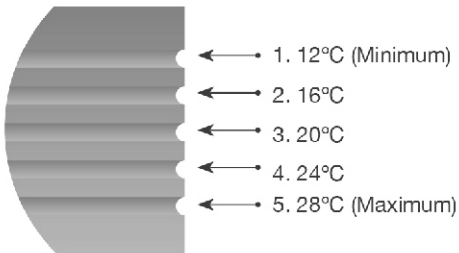
Connect to the flow (inlet) side of the radiator.

Do not cover and keep free from dust.

Turn handle to reveal the calibration marks denoting the temperature at which the radiator will be turned off.

Turned fully clockwise, the valve operates in frost protection mode. Do not overtighten.

Use the enclosed decorator's cap to fully shut the valve.



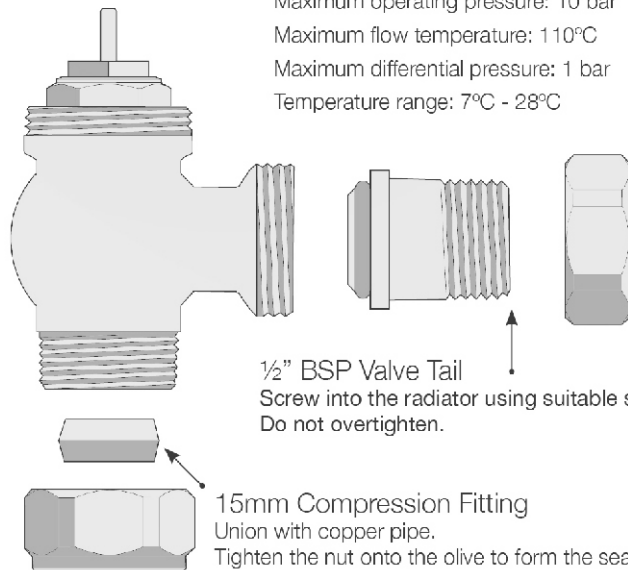
Technical specifications

Maximum operating pressure: 10 bar

Maximum flow temperature: 110°C

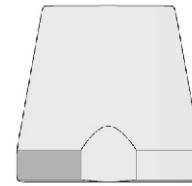
Maximum differential pressure: 1 bar

Temperature range: 7°C - 28°C



1/2" BSP Valve Tail
Screw into the radiator using suitable sealant or tape. Do not overtighten.

15mm Compression Fitting
Union with copper pipe. Tighten the nut onto the olive to form the seal.



Lockshield Valve

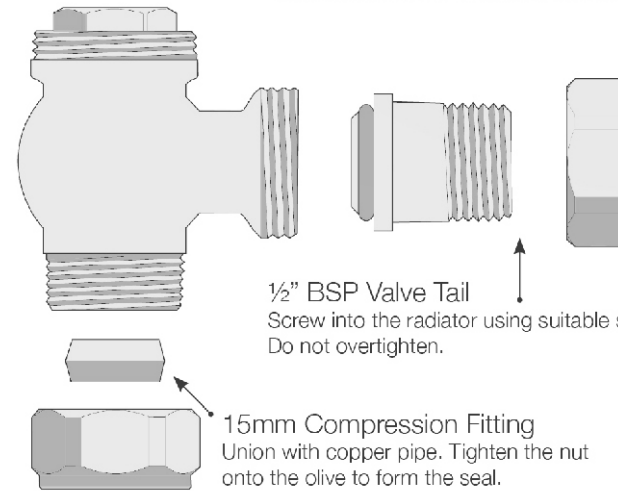
Connect to the outlet (return) side of the radiator.

Regulates the flow out of the radiator.

Use a 10mm hex key to adjust the flow.

Balancing the radiators

Always use a qualified plumber to balance the radiators to ensure a uniform temperature throughout the radiator and optimal performance of both the TRV and radiator.



1/2" BSP Valve Tail
Screw into the radiator using suitable sealant or tape. Do not overtighten.

15mm Compression Fitting
Union with copper pipe. Tighten the nut onto the olive to form the seal.

Connection

Windsor valves are unidirectional. The TRV should be connected to the flow and the lockshield to the return side of the radiator.

Cleaning

Abrasive and solvent cleaners should not be used when cleaning the valves to avoid the risk of scratching the decorative surface.

Frost protection

If heating is not required, turn the control head fully clockwise. This allows the valve to open if the temperature falls below 7°C.

Radiator removal

To remove the radiator, the valve must be fully shut off using the enclosed decorator's cap. Fully remove the thermostatic head. Place the decorator's cap on the valve pin and firmly screw the thermostatic head back on to the valve body.

Summer operation

If the heating system is to be out of use for a period of months it is recommended that all TRVs are opened fully to allow free movement of water within the system.