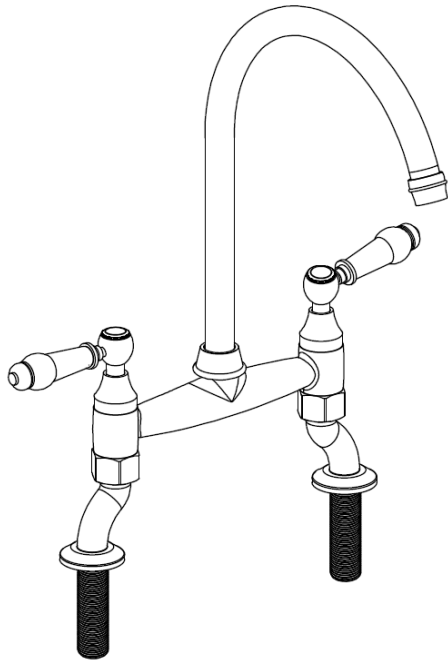


Traditional Bridge Lever Kitchen Sink Mixer



INSTALLATION INSTRUCTIONS

Please follow these care instructions to ensure your product retains it's high quality finish and please retain this leaflet for future reference.

Step 1

Identify all components are present prior to installation

Step 2

Flush water through the mains water feed to ensure they are clear of debris and isolate the water feed.

Step 3

Screw the cold and hot water inlets onto the base of the mixer tap, use rubber seals to create a water tight seal between the parts.

Note: the nuts at the top of the inlet legs should be tightened to the mixer tap when they are rotated to give the required center distance.

(See Fig. 1)

Step 4

Screw the base plinths over the inlet legs to the end of the threaded section before the offsets. Push the upper seals over the inlet legs flush to the underside of the base plinths. **(See Fig. 2)**

Step 5

Locate the mixer tap onto the sink / worktop then with the tap in place fit the lower seals and back-nuts **(Fig 3)** and tighten.

Connect both hot & cold feeds to the tap ensuring that the hot feed is to the left-hand side of the tap.

Turn on the water and test ensuring there are no leaks

Fig. 1

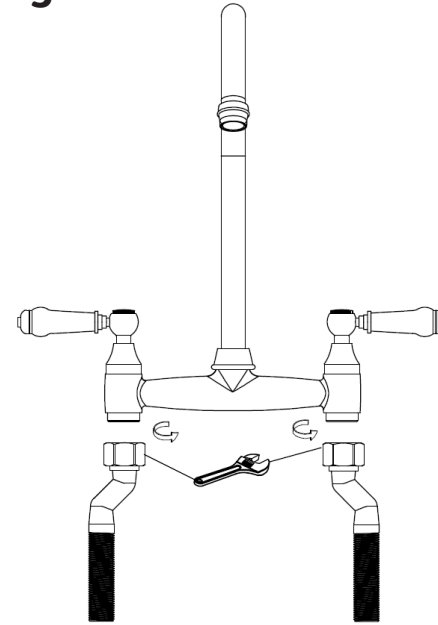


Fig. 2

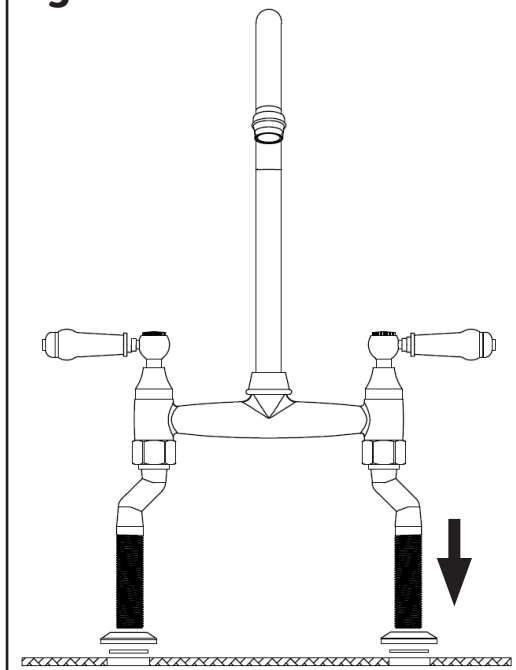
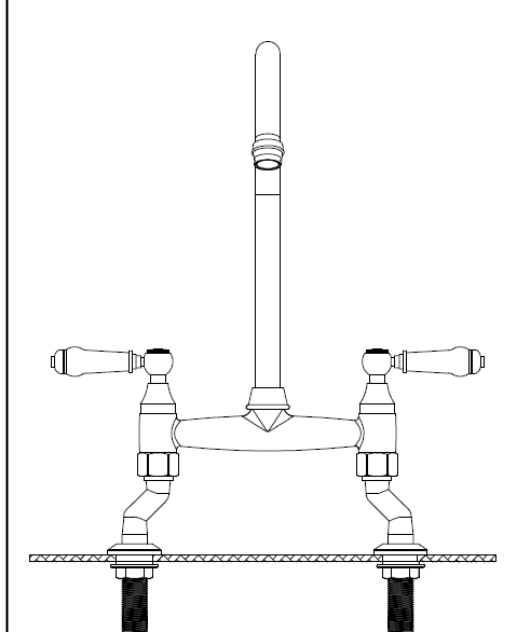
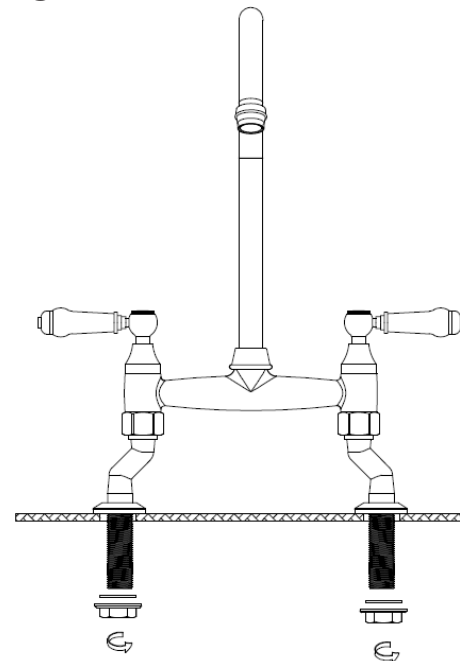


Fig. 3



WARNING!

We recommend that this product is installed by a qualified tradesperson and we accept no liability for products fitted incorrectly, and where the correct testing procedures have not been used, resulting in the escape of water.