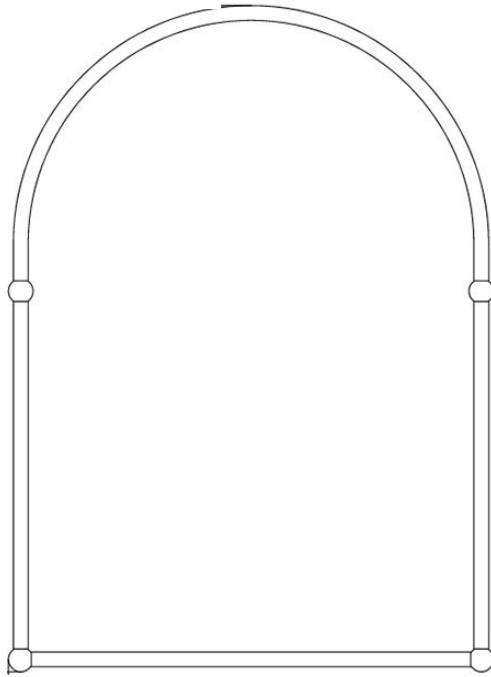


Traditional 700 x 490mm Arched Mirror with Glass Shelf - Chrome TMCS02



INSTALLATION INSTRUCTIONS

Please follow these care instructions to ensure your product retains it's high quality finish and please retain this leaflet for future reference.

Installation Recommendations

- Please handle carefully to avoid breaking the mirror.
- All products must be inspected thoroughly before installation.
- Damaged product can not be replaced once installed.
- To ensure that the product is installed correctly, please read these instructions before starting

Before starting the installation, please ensure that you have checked any walls before drilling for any wires/cables or water supply pipes

Installation

1. Make certain the wall is solid and suitable to safely accommodate the mirrors overall weight when installed.
2. Measure the height from the top of the frame to the centre of the centre hole.
3. Use a ruler and a level to draw a straight line on the wall, roughly as high as the mirror. This will indicate the height of the mirror
4. Measure the center of the two keyhole fittings on the back of the mirror
5. Make two marks on the line
6. Using an electric drill and appropriately sized drill bit, drill a hole using the marks made as a guide
7. Place the rawl plugs into the drilled holes
8. Insert the screws into the rawl plugs, allowing 10mm distance between the wall and end of the screw **(See Fig. 1)**
9. Attach the shelf to the mirror the screws (6) and Allen key (7)
10. Place the mirror in position on the wall on the screws **(See Fig. 2)**

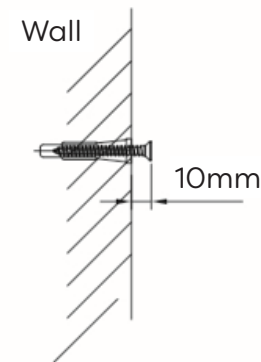
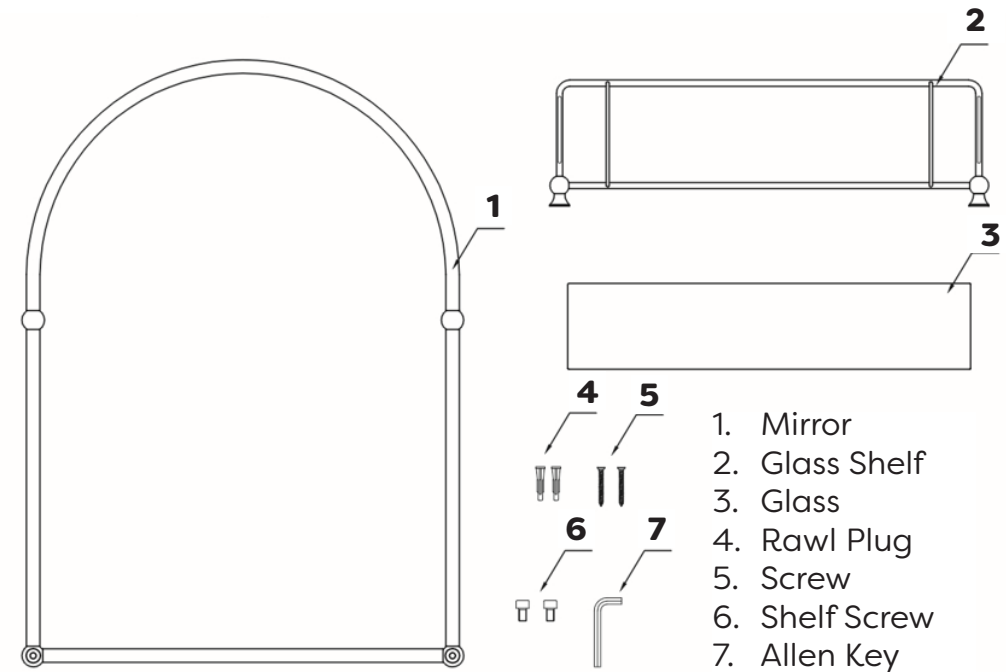


Fig. 1

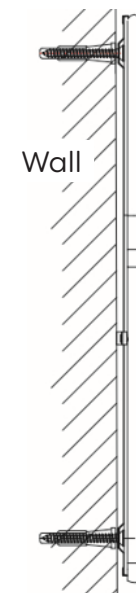


Fig. 2

WARNING!

We recommend that this product is installed by a qualified tradesperson and we accept no liability for products fitted incorrectly, and where the correct testing procedures have not been used, resulting in the escape of water.